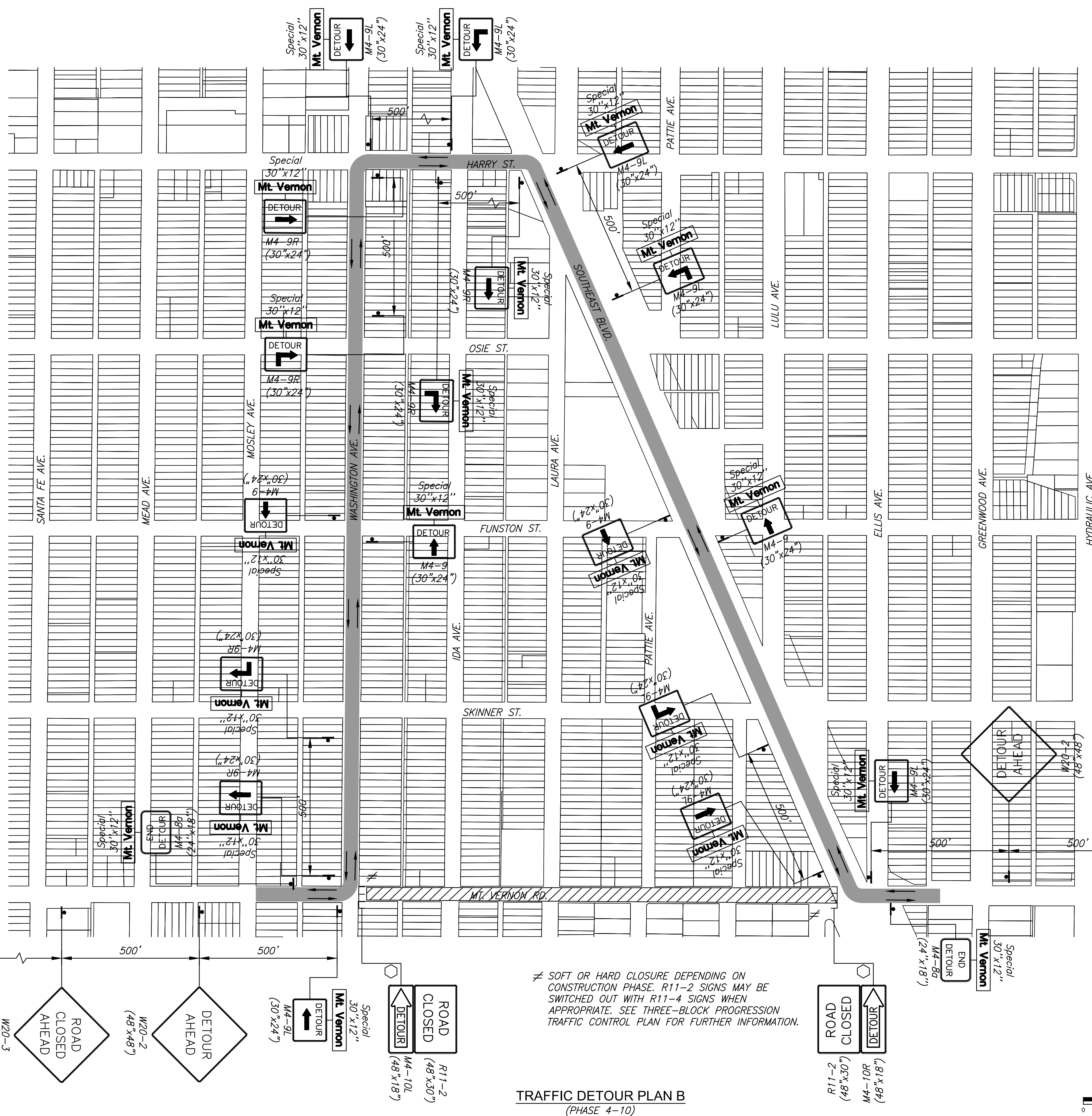


STATE	PROJECT NO.	YEAR	SHEET NO.	TOTAL SHEETS
KANSAS	87 N-0660-01	2019	140	198

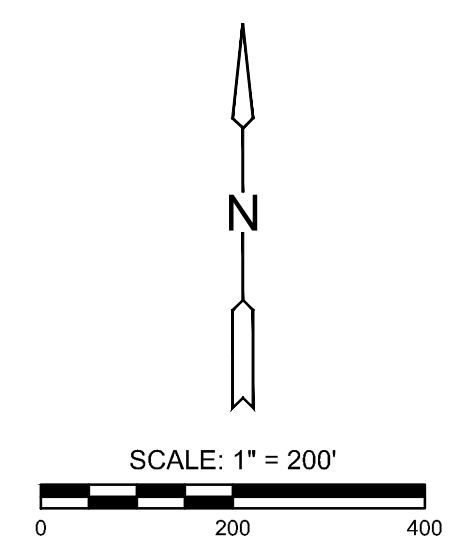
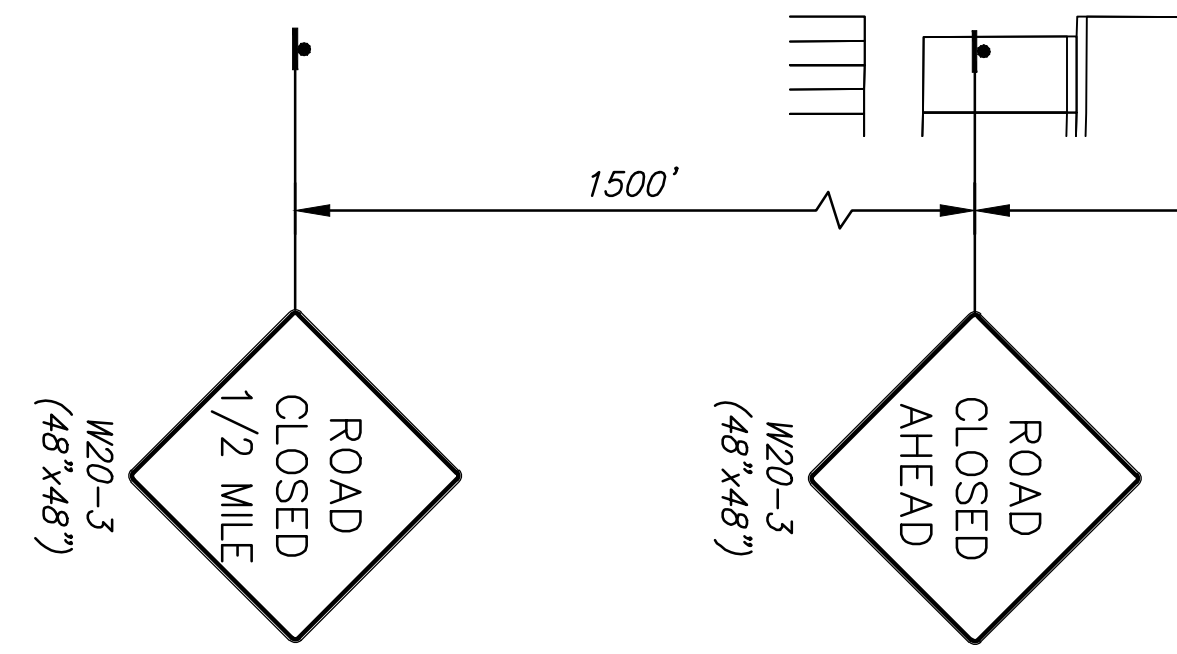


STREET IMPROVEMENTS FOR  
**MT. VERNON IMPROVEMENTS**  
 BROADWAY TO SOUTHEAST BLVD.



≠ SOFT OR HARD CLOSURE DEPENDING ON CONSTRUCTION PHASE. R11-2 SIGNS MAY BE SWITCHED OUT WITH R11-4 SIGNS WHEN APPROPRIATE. SEE THREE-BLOCK PROGRESSION TRAFFIC CONTROL PLAN FOR FURTHER INFORMATION.

**TRAFFIC DETOUR PLAN B**  
(PHASE 4-10)



©2019 MKEC Engineering All Rights Reserved www.mkec.com  
 These drawings and their contents, including, but not limited to, all concepts, designs, & ideas are the exclusive property of MKEC Engineering (MKEC), and may not be used or reproduced in any way without the express consent of MKEC.

**TRAFFIC DETOUR PLAN B (PH. 4-10)**

PROJECT NO.	87 N-0660-01	
DATE	8/19/2019	
SCALE	1"=200'	
DESIGNED	DRAWN	CHECKED
JRA	RAM	JRA
NO.	REVISION	DATE

SHEET NO.  
**140 OF 198**

J:\CIVIL\8706\TRAFFIC\0181\81\TR12.DWG  
 PLOTTED: Friday, August 23, 2019 @ 8:55AM