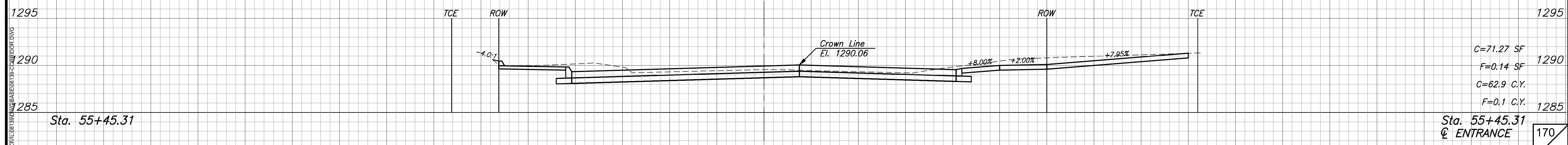
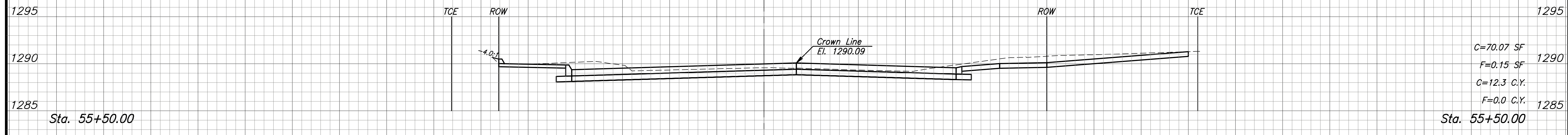
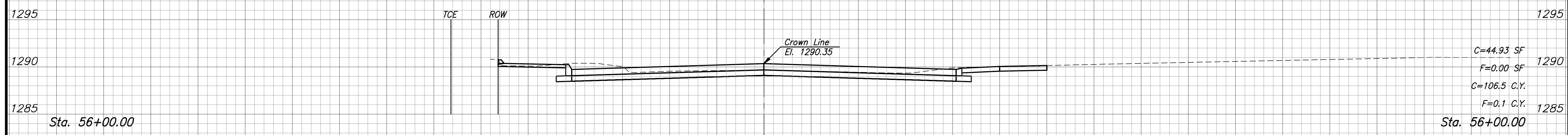
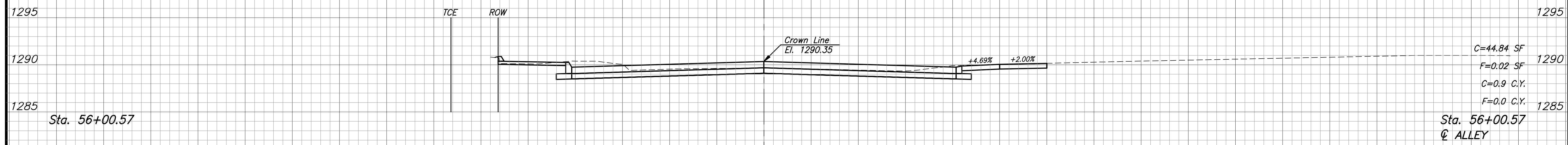
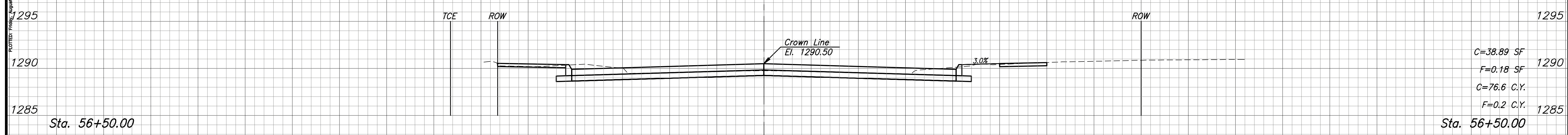


J:\CIVIL\87N-0660\87N-0660-01\87N-0660-01-170.dwg  
 PLOTTED: FRANK, AUGUST 23, 2019 @ 04:31 PM

STATE	PROJECT NO.	YEAR	SHEET NO.	TOTAL SHEETS
KANSAS	87 N-0660-01	2019	170	198
60	70		80	



Sta. 55+45.31  
 @ ENTRANCE

170  
 198  
 Sh. No. 170