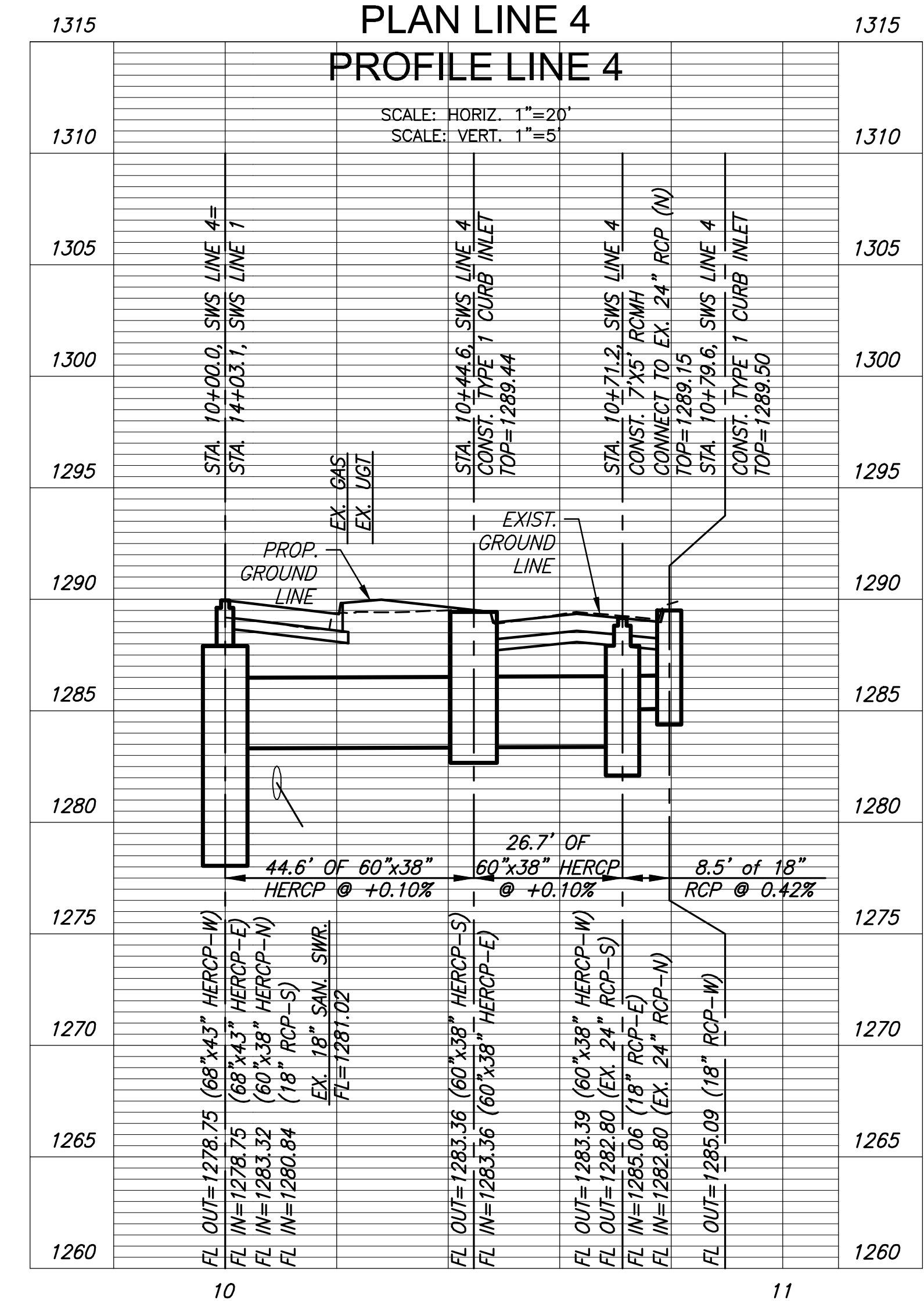
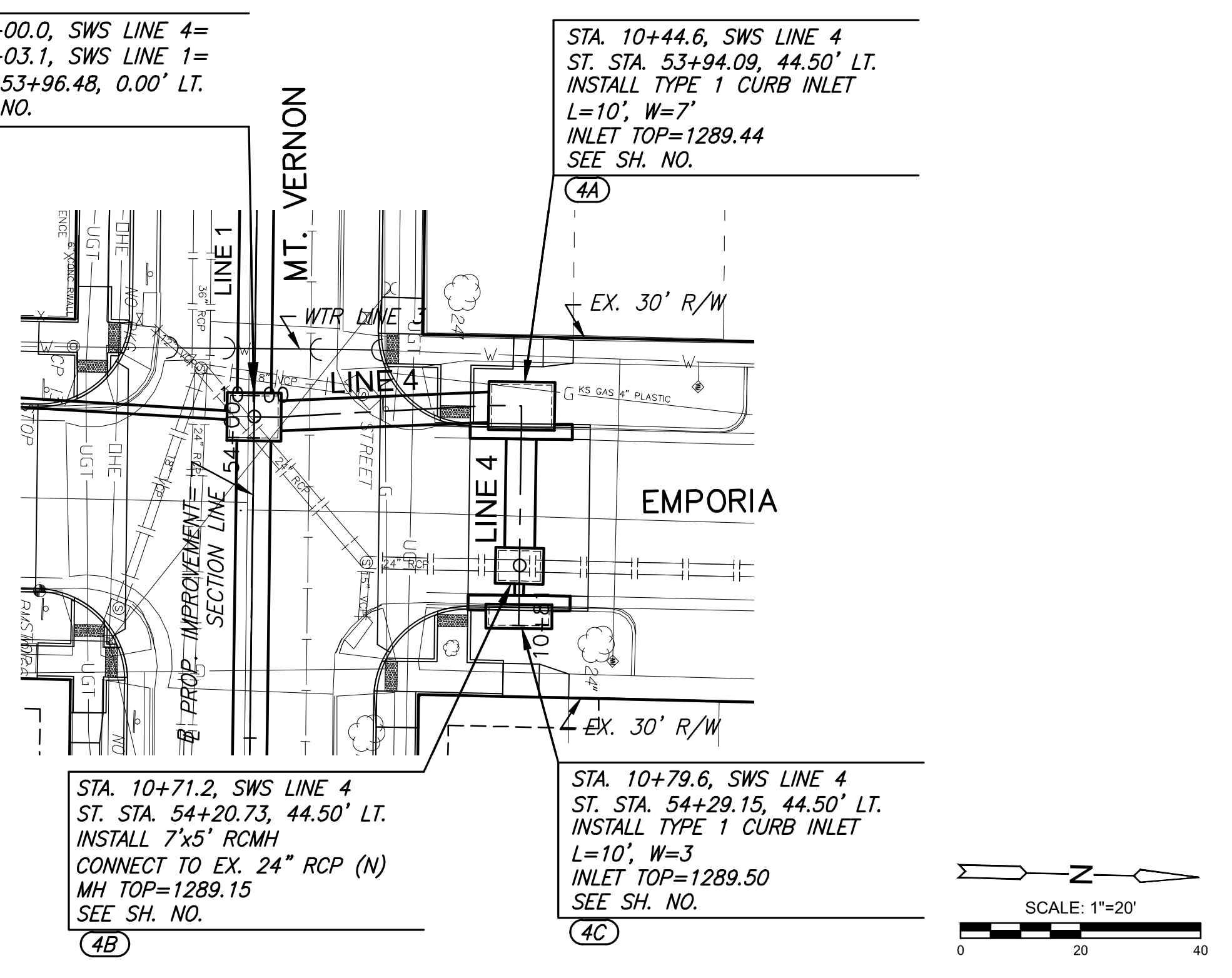
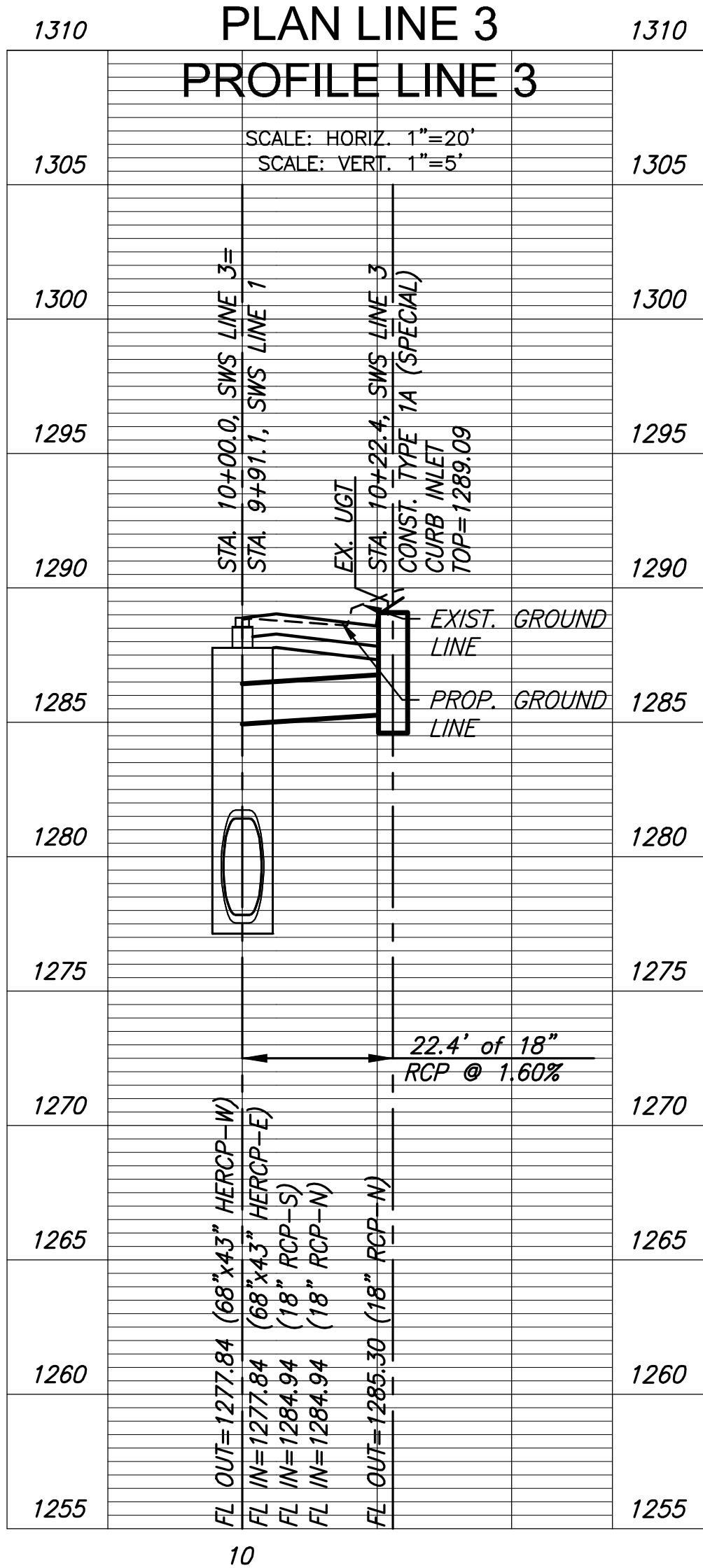
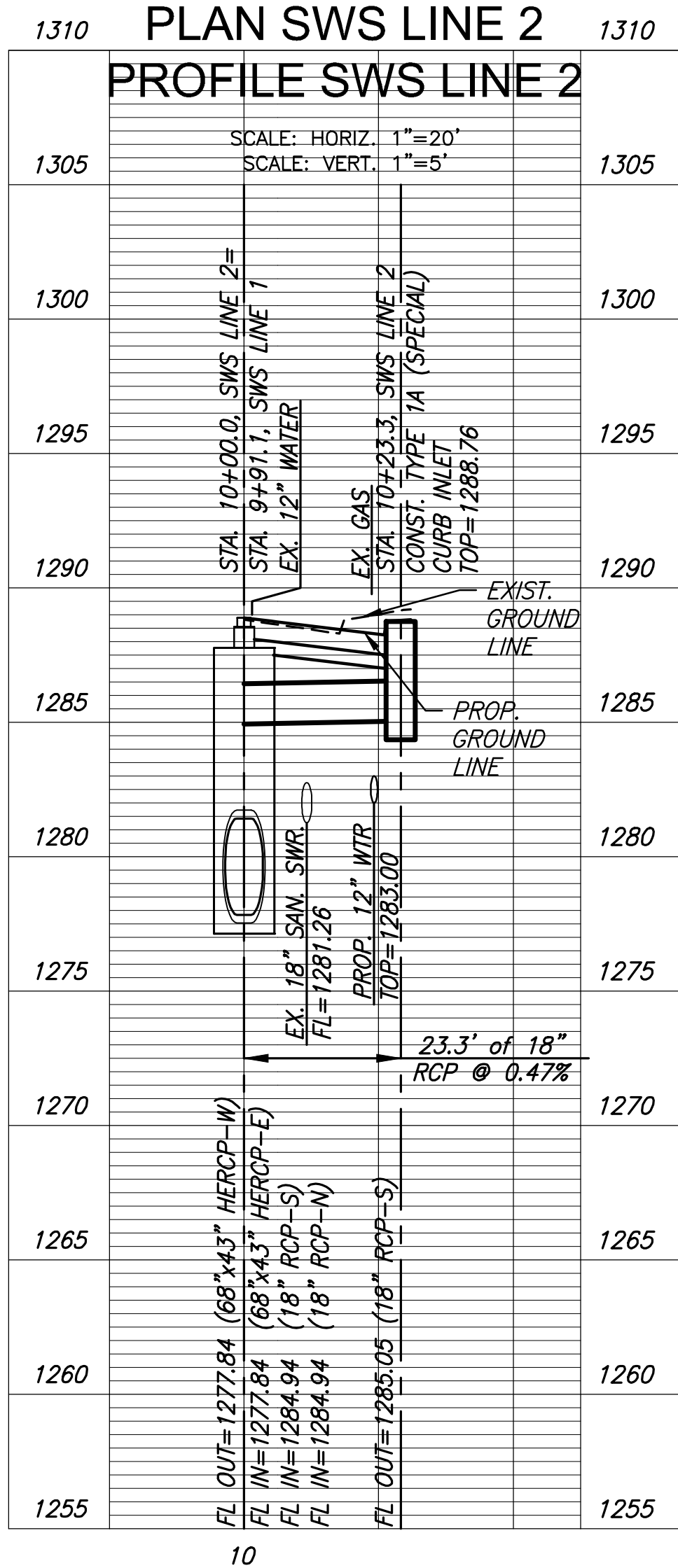
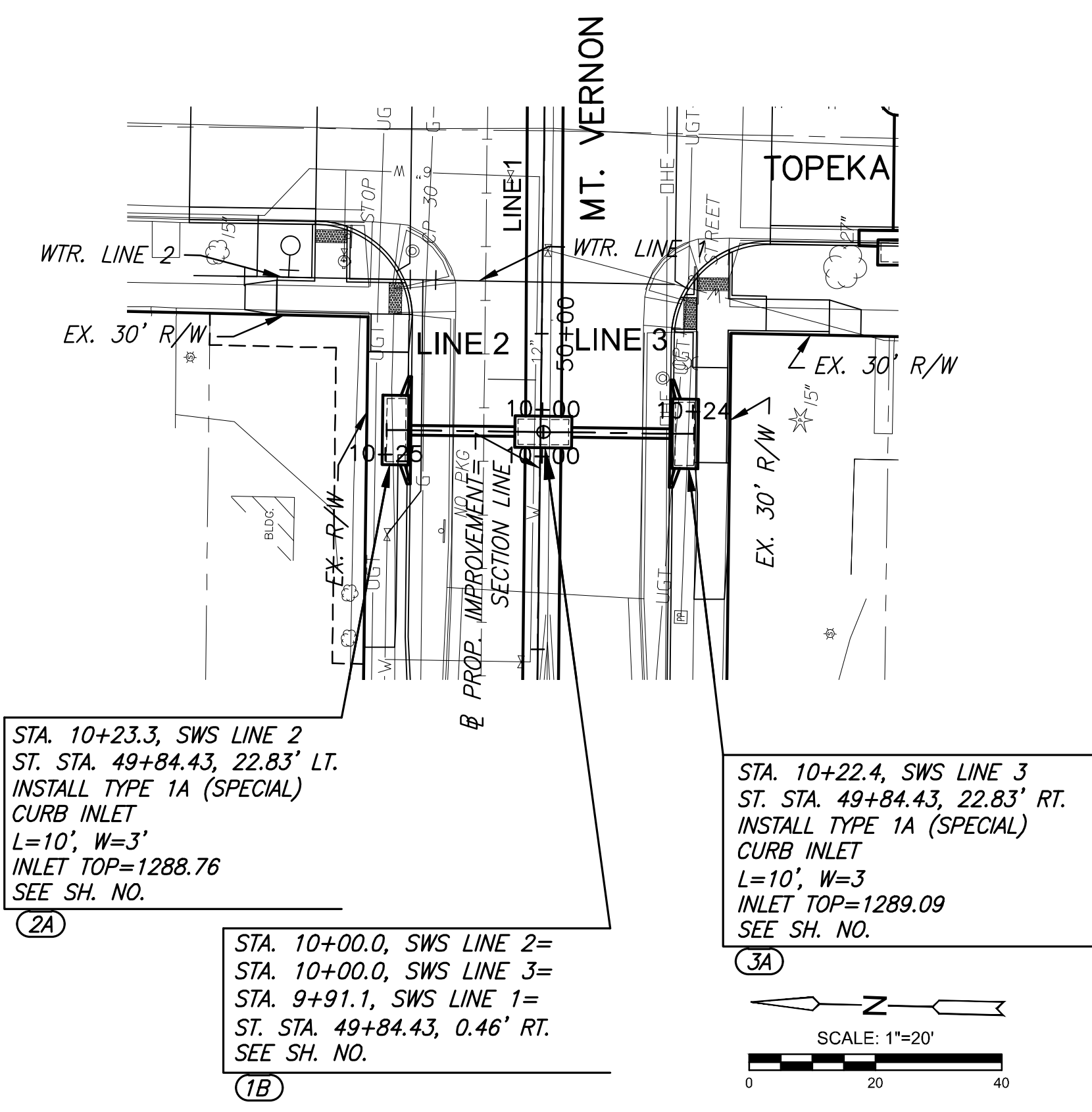


PLOTTED: Friday, August 23, 2019 @ 03:23PM

STATE	PROJECT NO.	YEAR	SHEET NO.	TOTAL SHEETS
KANSAS	87 N-0660-01	2019	25	198



STREET IMPROVEMENTS FOR  
**MT. VERNON IMPROVEMENTS**  
 BROADWAY TO SOUTHEAST BLVD.

©2019 MKEC Engineering All Rights Reserved  
 www.mkec.com  
 These drawings and their contents, including, but not limited to, all concepts, designs, & lists are the exclusive property of MKEC Engineering (MKEC), and may not be used or reproduced in any way without the express consent of MKEC.

STORM SEWER  
 LINE 2, 3, & 4

PROJECT NO.	87 N-0660-01	
DATE	8/19/2019	
SCALE	1"=20'	
DESIGNED	DRAWN	CHECKED
JRA	WNJ	JRA
NO.	REVISION	DATE
SHEET NO.		