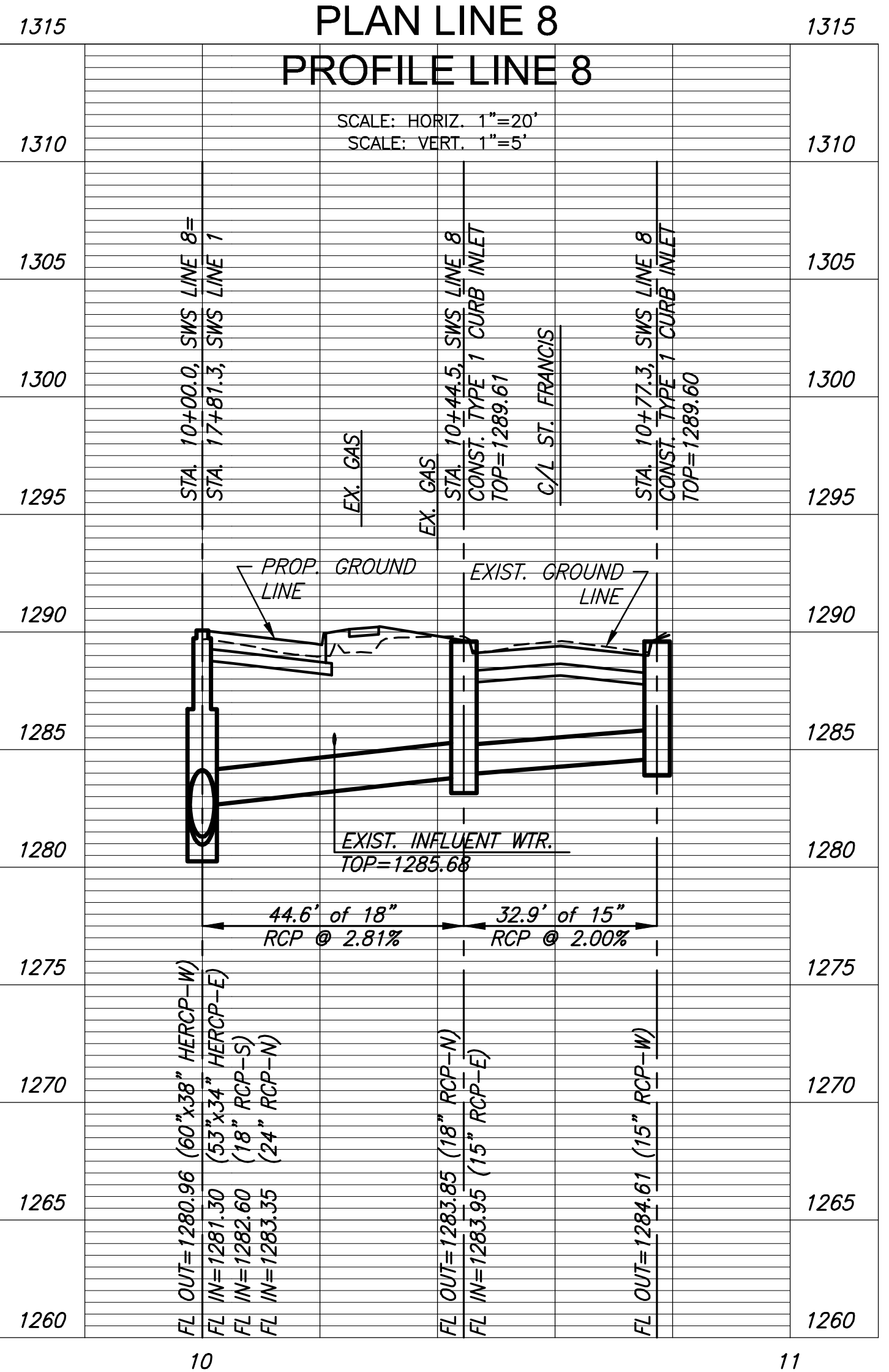
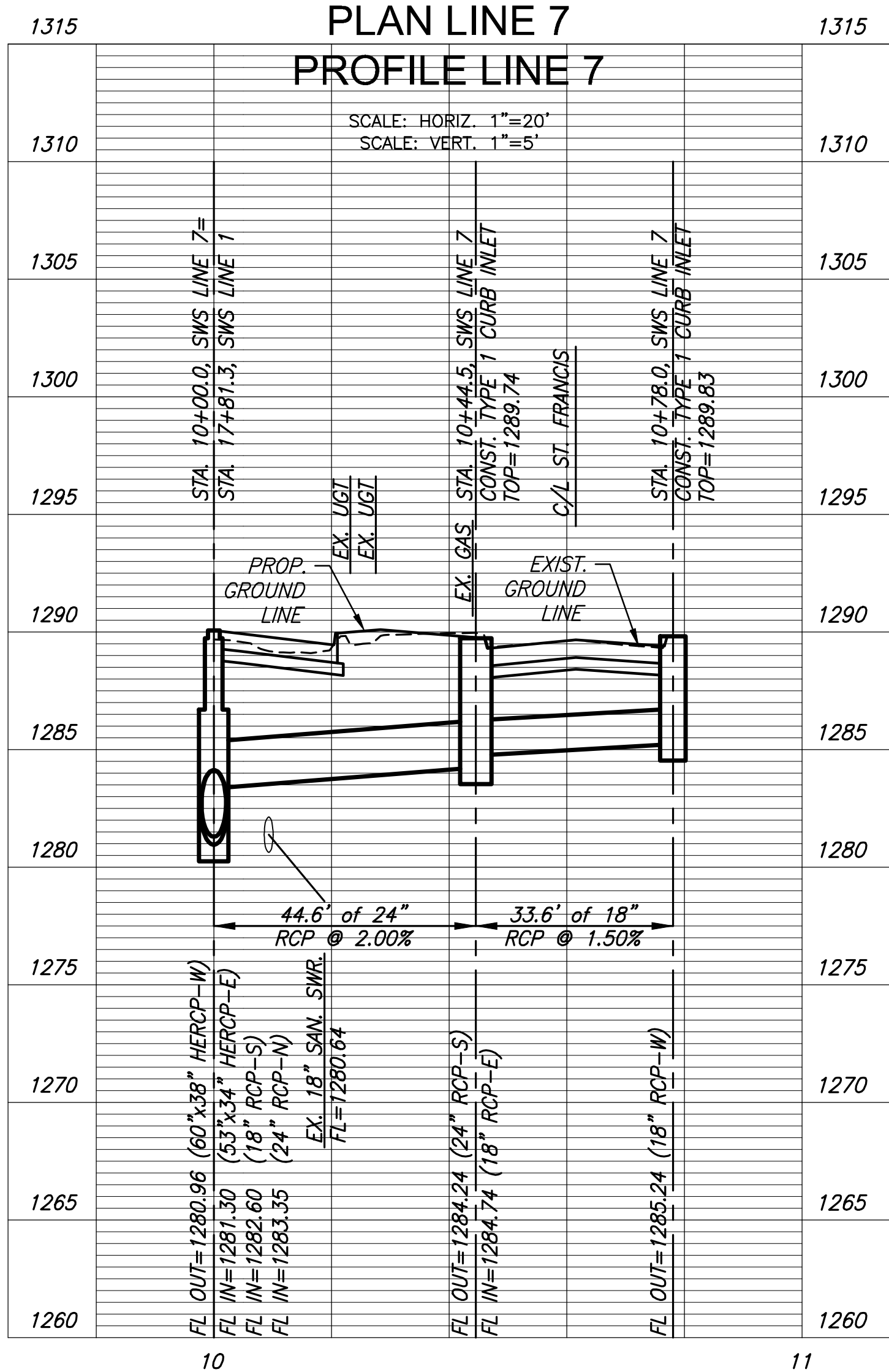
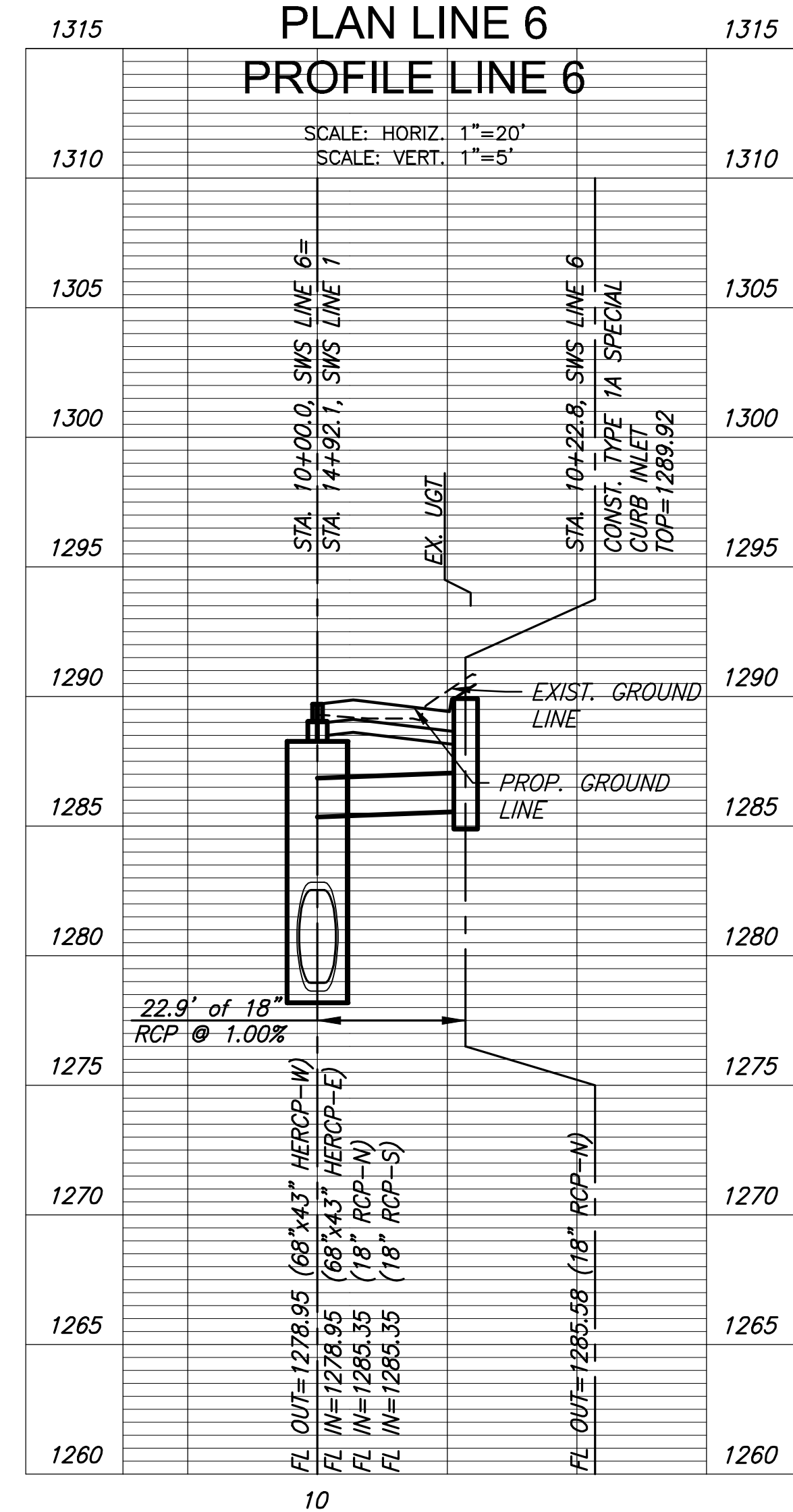
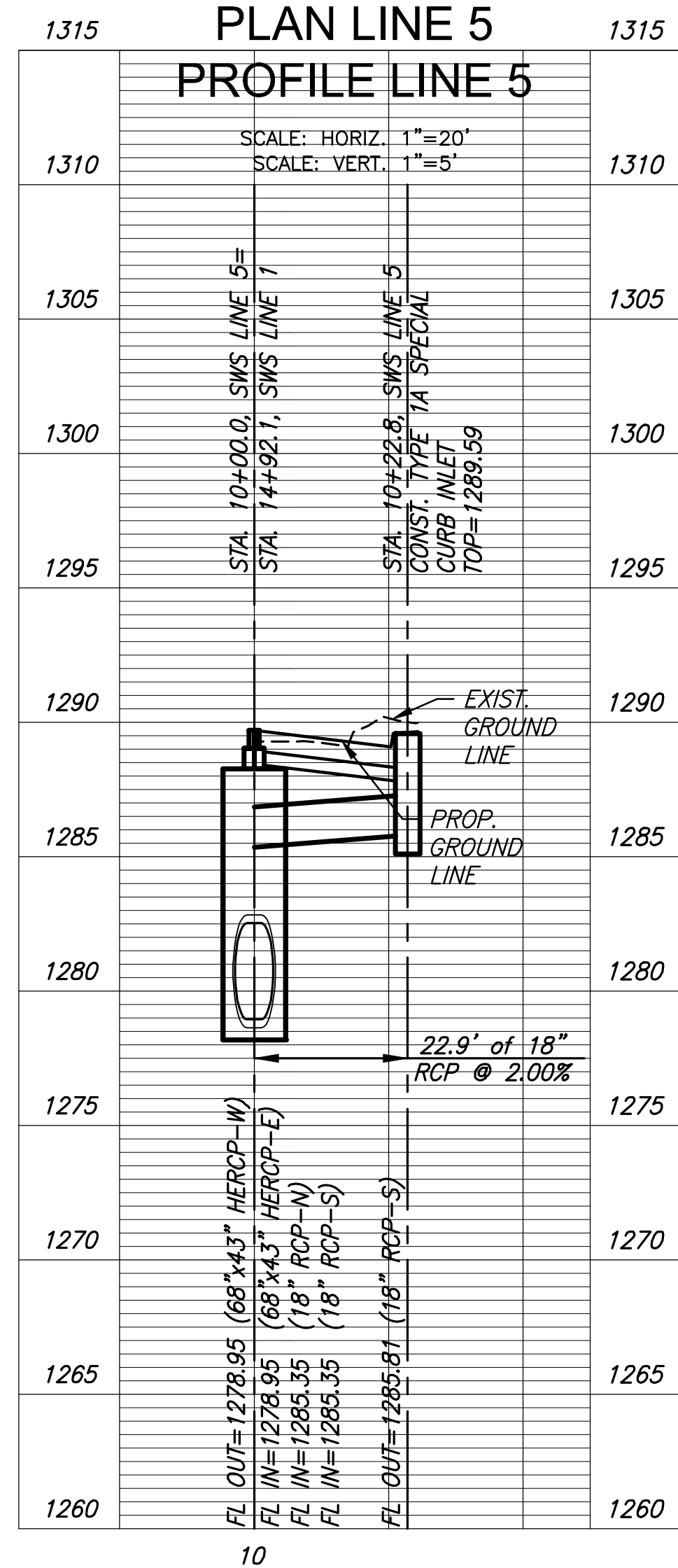
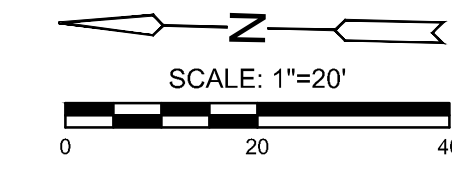
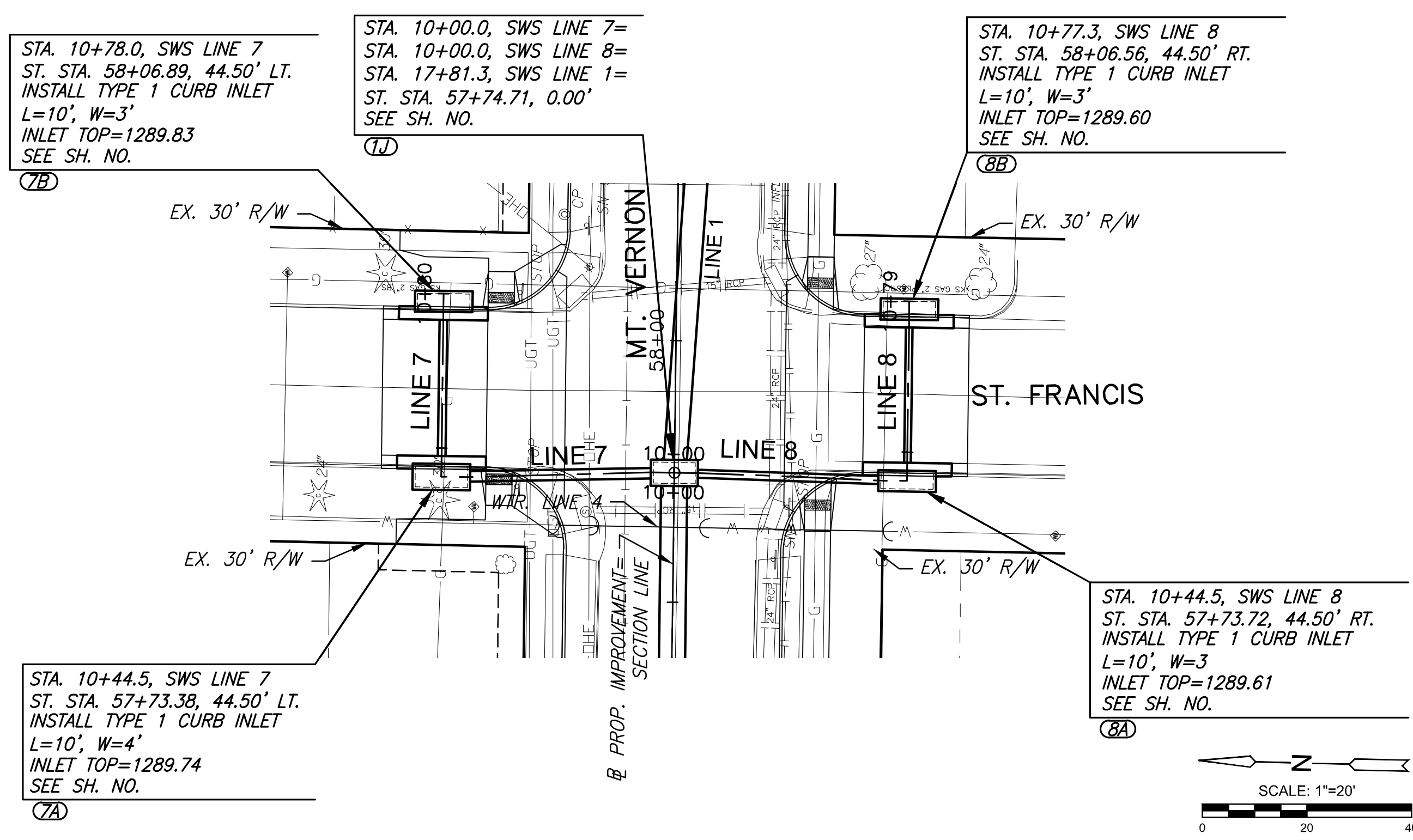
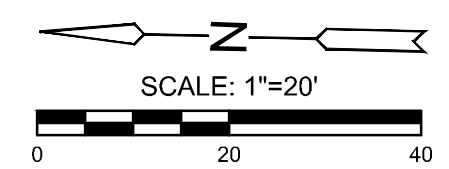
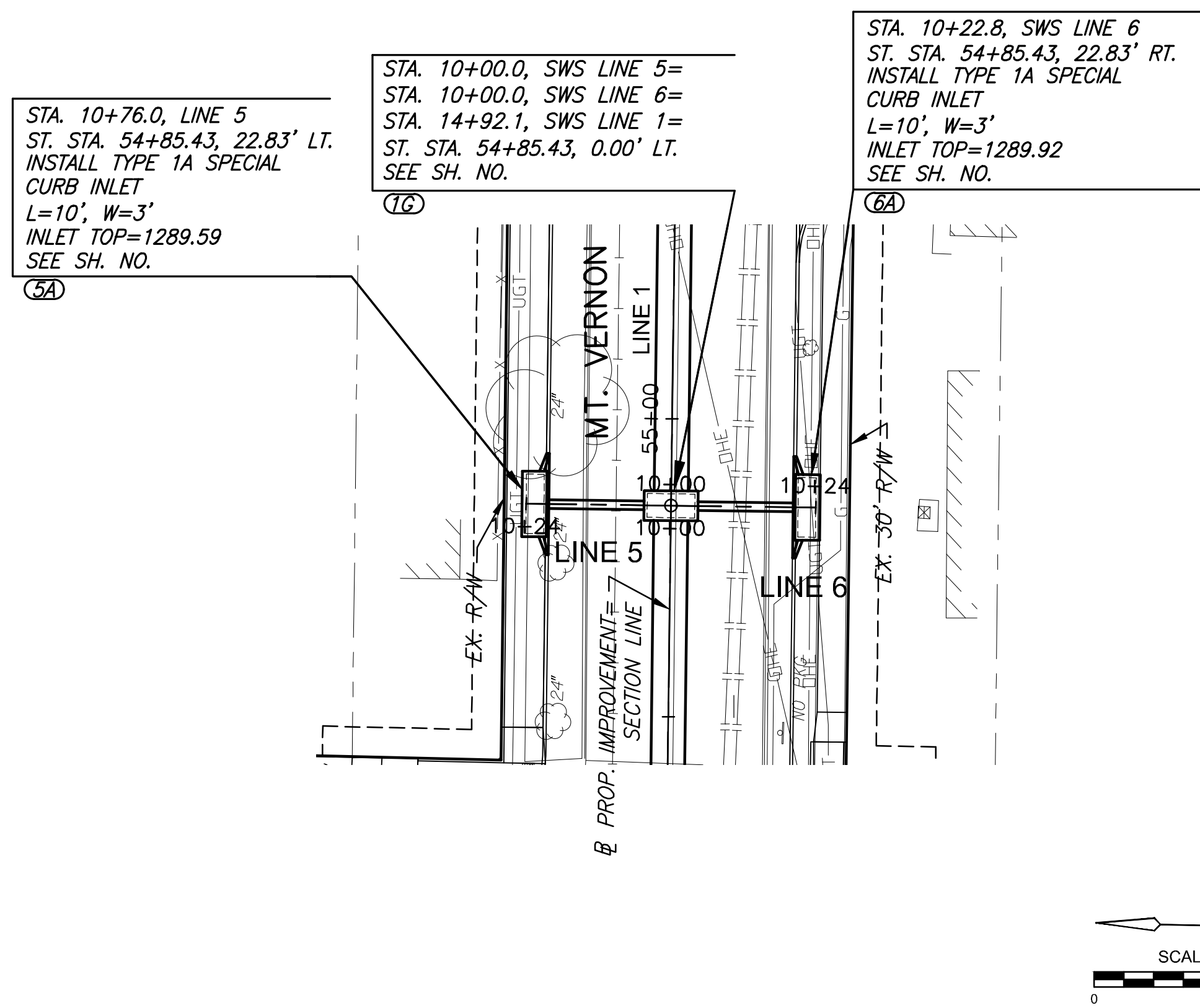


PLOTTED: Friday, August 23, 2019 @ 03:24PM

| STATE | PROJECT NO. | YEAR | SHEET NO. | TOTAL SHEETS |
|--------|--------------|------|-----------|--------------|
| KANSAS | 87 N-0660-01 | 2019 | 26 | 198 |



STREET IMPROVEMENTS FOR
MT. VERNON IMPROVEMENTS
BROADWAY TO SOUTHEAST BLVD.

©2019 MKEC Engineering All Rights Reserved
www.mkec.com
These drawings and their contents, including, but not limited to, all concepts, designs, & fees are the exclusive property of MKEC Engineering (MKEC), and may not be used or reproduced in any way without the express consent of MKEC.

STORM SEWER LINE 5, 6, 7, & 8

| | | |
|-------------|--------------|---------|
| PROJECT NO. | 87 N-0660-01 | |
| DATE | 8/19/2019 | |
| SCALE | 1"=20' | |
| DESIGNED | DRAWN | CHECKED |
| JRA | WNJ | JRA |
| NO. | REVISION | DATE |
| | | |
| SHEET NO. | | |
| 26 OF 198 | | |