

STATE	PROJECT NO.	YEAR	SHEET NO.	TOTAL SHEETS
KANSAS	87 N-0660-01	2019	28	198



STA. 10+33.8, SWS LINE 11  
ST. STA. 59+54.08, 22.83' RT.  
INSTALL TYPE 1A (SPECIAL)  
CURB INLET  
L=10', W=3'  
INLET TOP=1289.79  
SEE SH. NO.  
(11A)

STA. 10+00.0, SWS LINE 11=  
STA. 10+00.0, SWS LINE 12=  
STA. 19+61.1, SWS LINE 1=  
ST. STA. 59+54.08, 11.00' RT.  
SEE SH. NO.  
(1L)

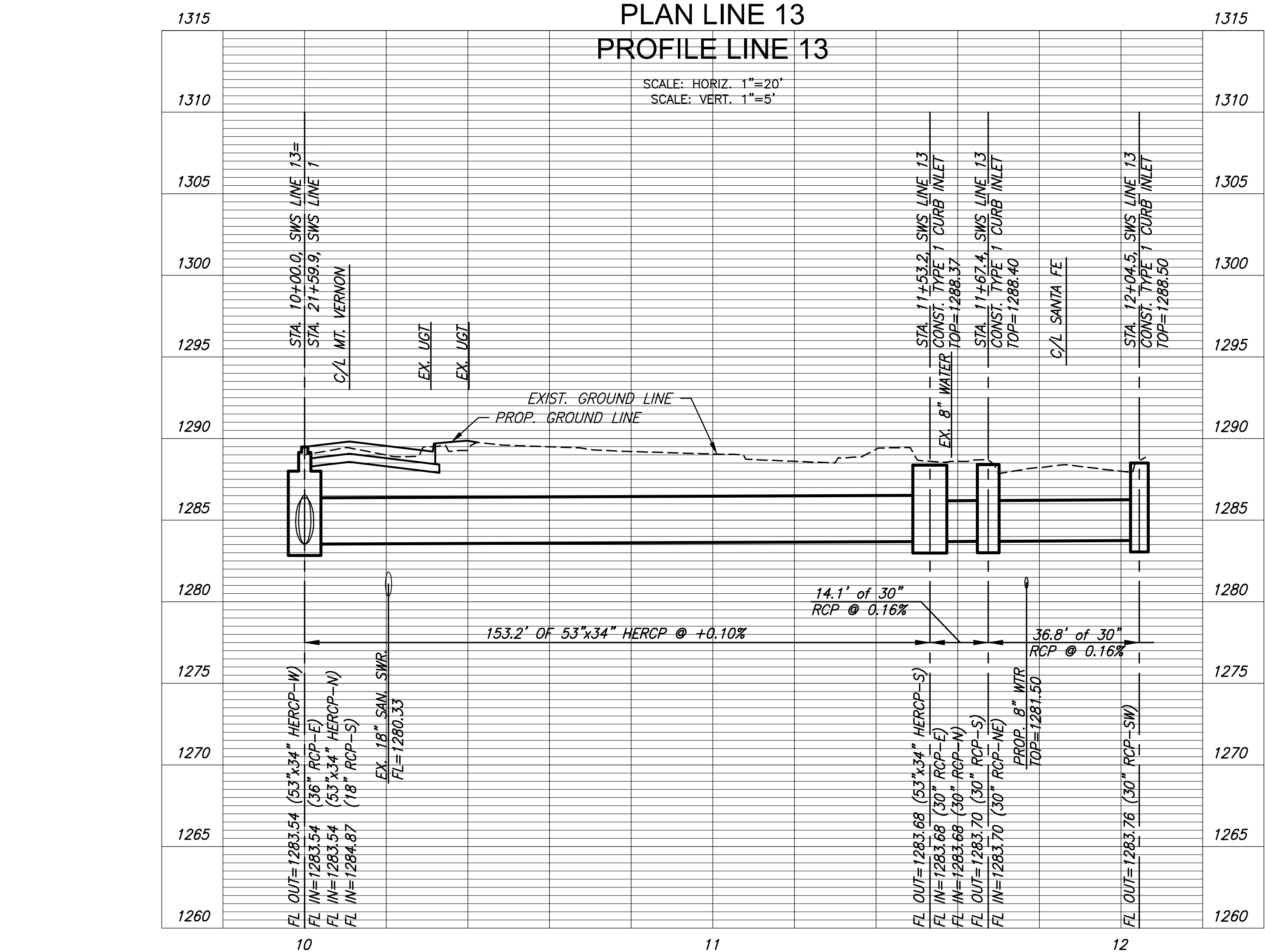
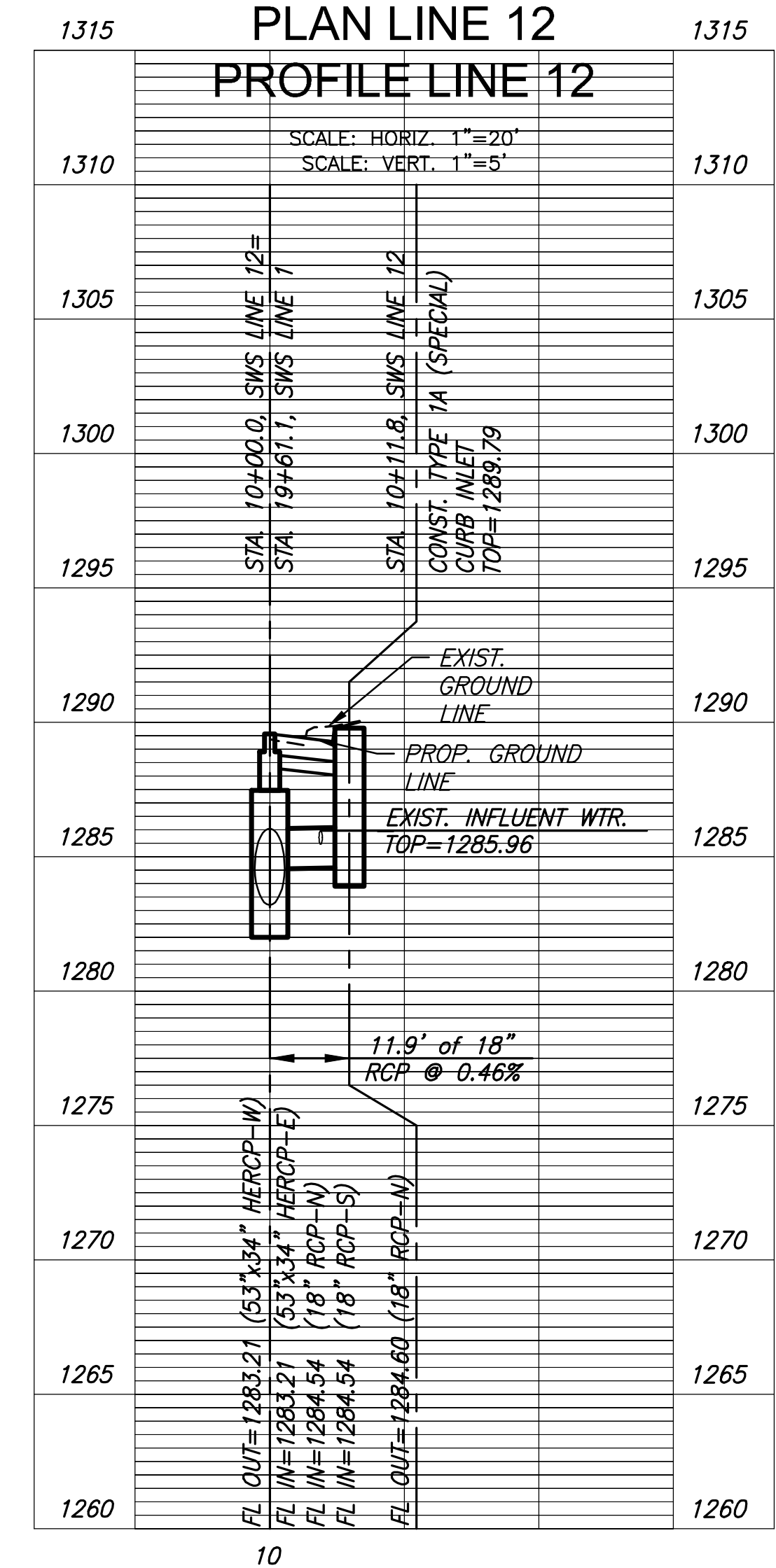
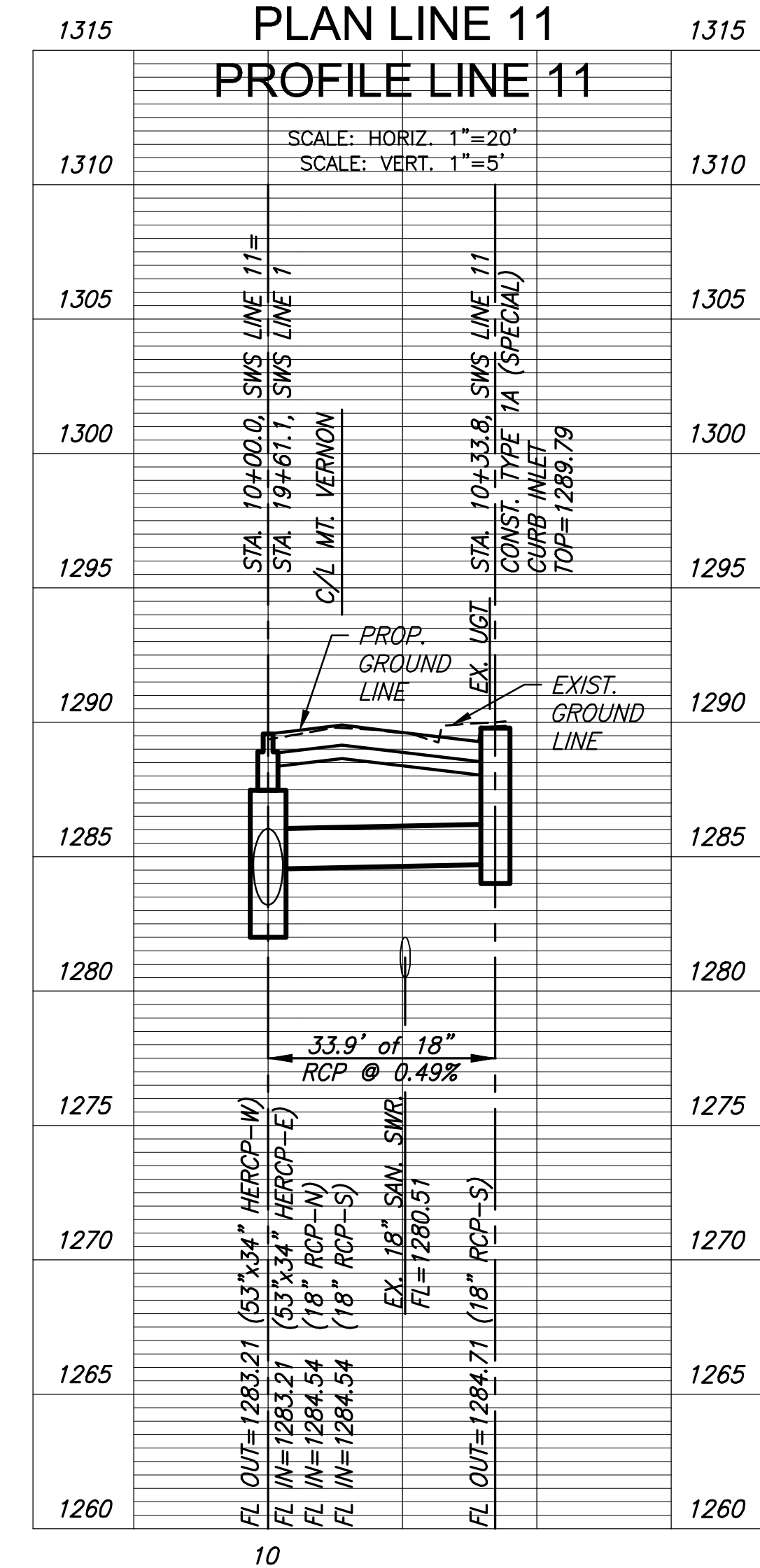
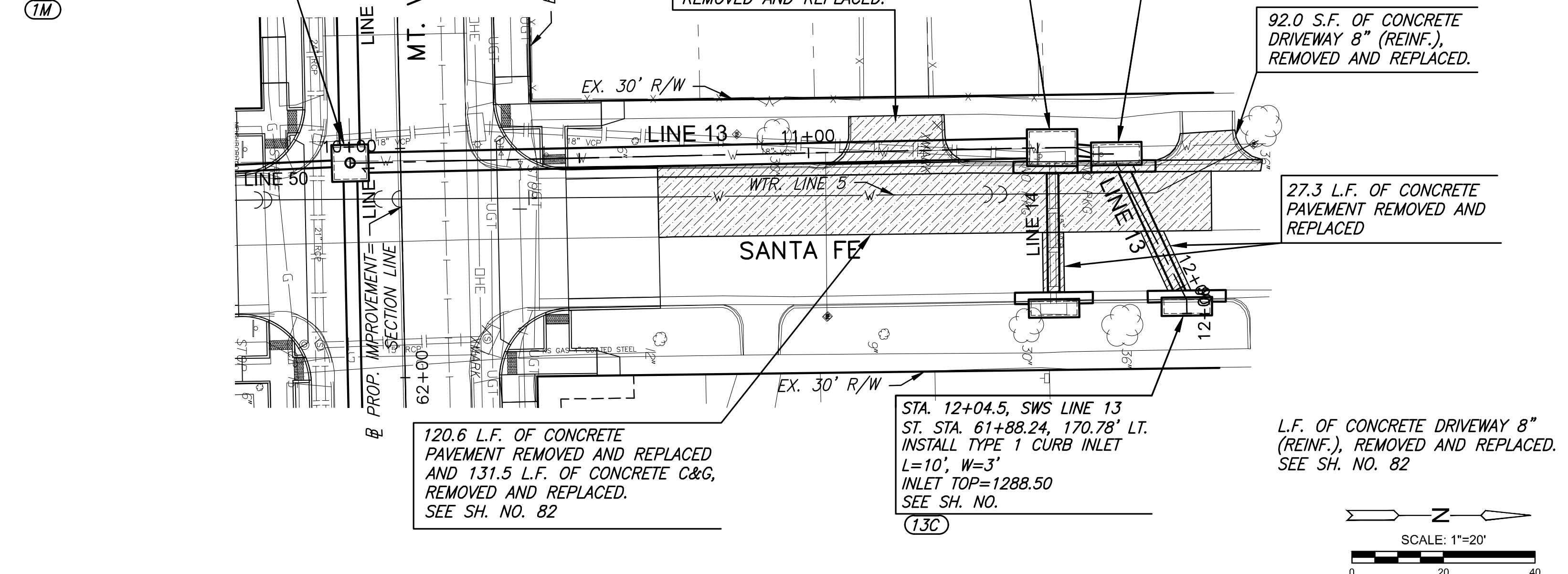
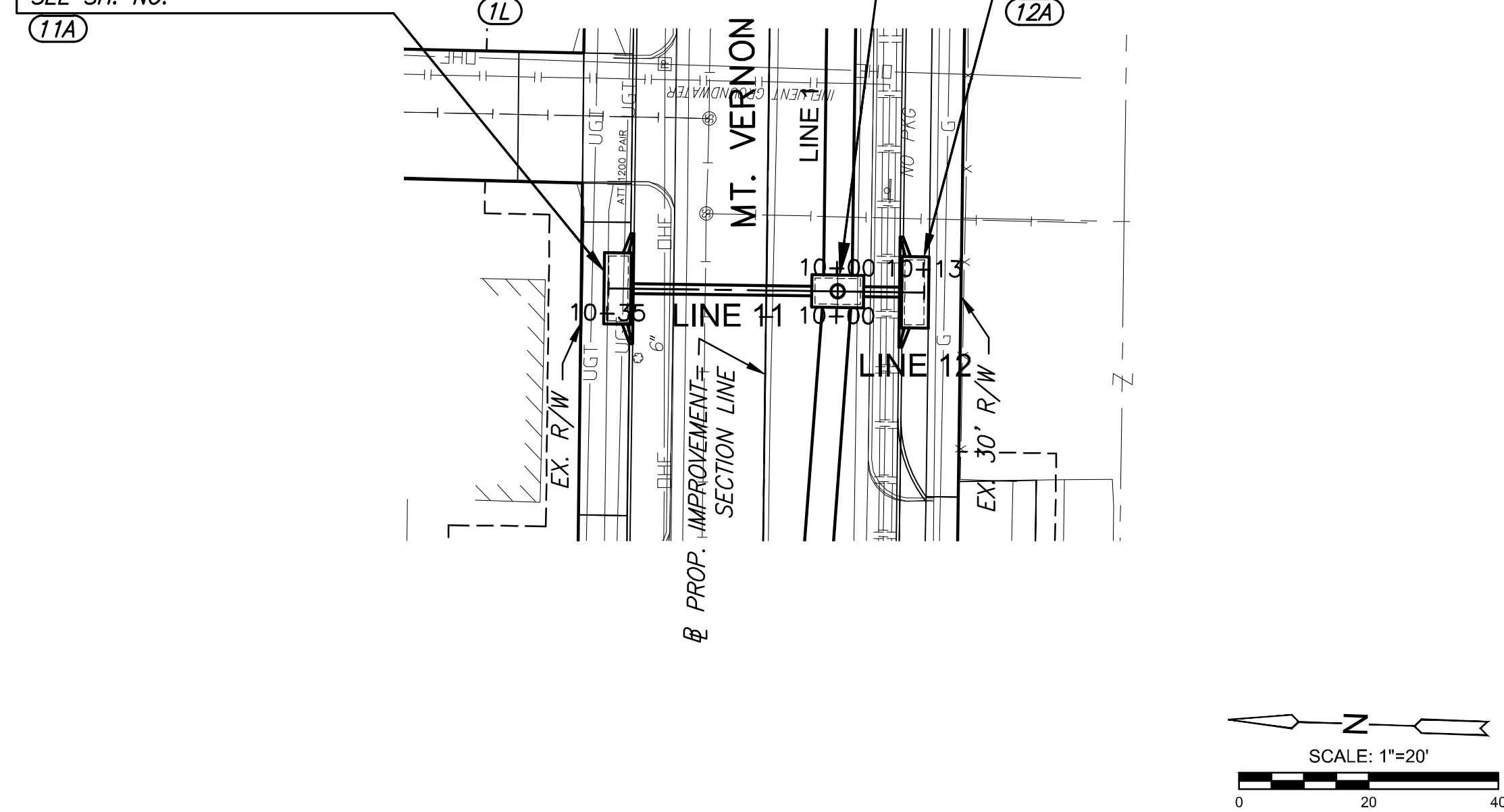
STA. 10+11.8, SWS LINE 12  
ST. STA. 59+54.08, 22.83' RT.  
INSTALL TYPE 1A (SPECIAL)  
CURB INLET  
L=10', W=3'  
INLET TOP=1289.79  
SEE SH. NO.  
(12A)

STA. 10+00.0, SWS LINE 13=  
STA. 21+59.9, SWS LINE 1=  
ST. STA. 61+52.94, 11.00' RT.  
SEE SH. NO.  
(1M)

STA. 11+53.2, SWS LINE 13  
ST. STA. 61+52.94, 142.17' LT.  
INSTALL TYPE 1 CURB INLET  
L=10', W=7'  
INLET TOP=1288.37  
SEE SH. NO.  
(13A)

STA. 11+67.4, SWS LINE 13  
ST. STA. 61+54.58, 156.13' LT.  
INSTALL TYPE 1 CURB INLET  
L=10', W=4'  
INLET TOP=1288.40  
SEE SH. NO.  
(13B)

STA. 12+04.5, SWS LINE 13  
ST. STA. 61+88.24, 170.78' LT.  
INSTALL TYPE 1 CURB INLET  
L=10', W=3'  
INLET TOP=1288.50  
SEE SH. NO.  
(13C)



STREET IMPROVEMENTS FOR  
**MT. VERNON IMPROVEMENTS**  
BROADWAY TO SOUTHEAST BLVD.

©2019 MKEC Engineering All Rights Reserved  
www.mkec.com  
These drawings and their contents, including, but not limited to, all concepts, designs, & lists are the exclusive property of MKEC Engineering (MKEC), and may not be used or reproduced in any way without the express consent of MKEC.

STORM SEWER LINE 11, 12, & 13

PROJECT NO.	87 N-0660-01	
DATE	8/19/2019	
SCALE	1"=20'	
DESIGNED	JRA	
DRAWN	WNJ	
CHECKED	JRA	
NO.	REVISION	DATE
SHEET NO. 28 OF 198		