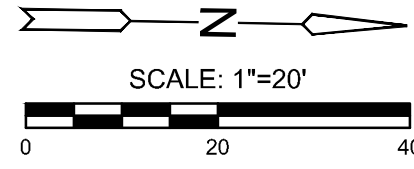
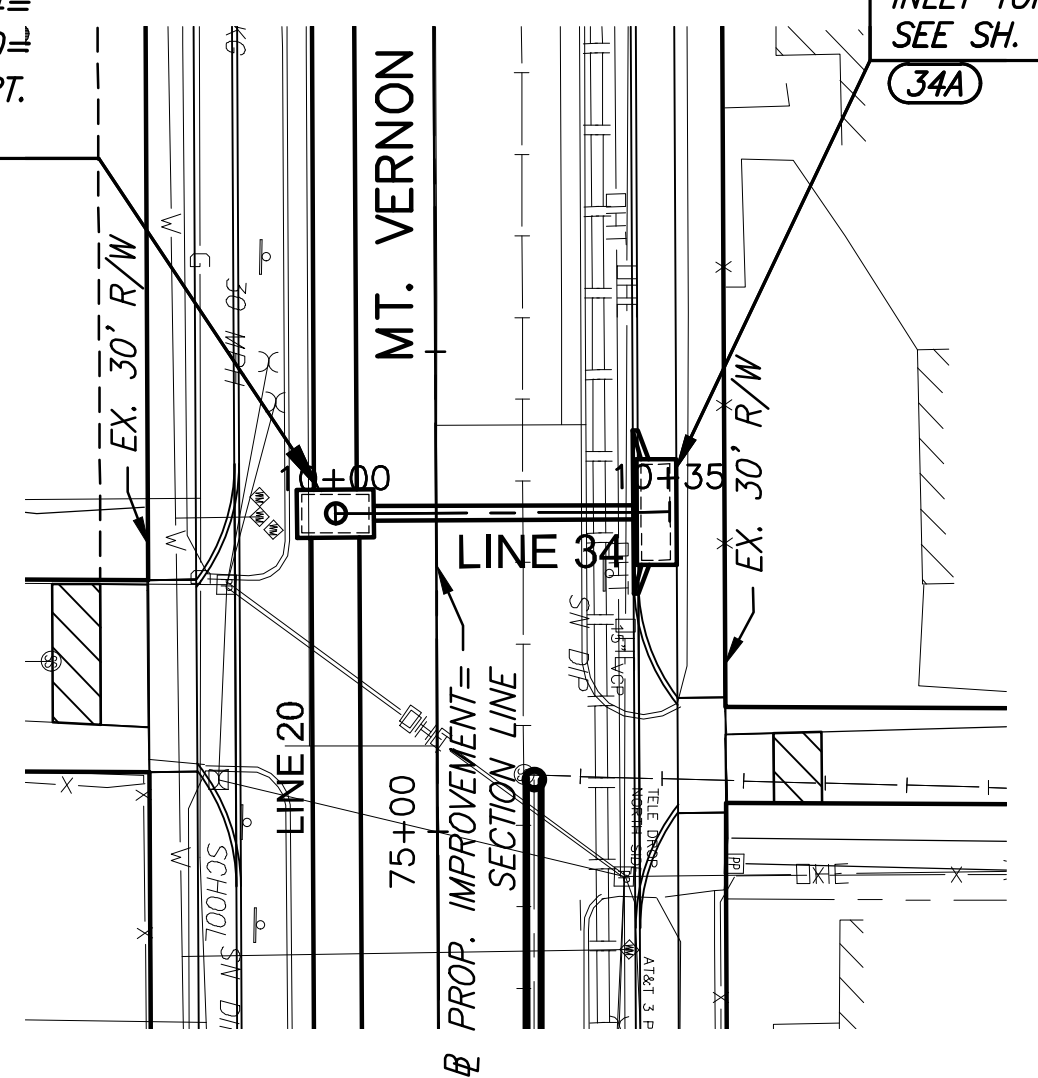


J:\CIVIL\1813\ROADS\SWR\1813\1813.DWG
 PLOT DATE: Friday, August 23, 2019 @ 03:40PM

STATE	PROJECT NO.	YEAR	SHEET NO.	TOTAL SHEETS
KANSAS	87 N-0660-01	2019	39	198

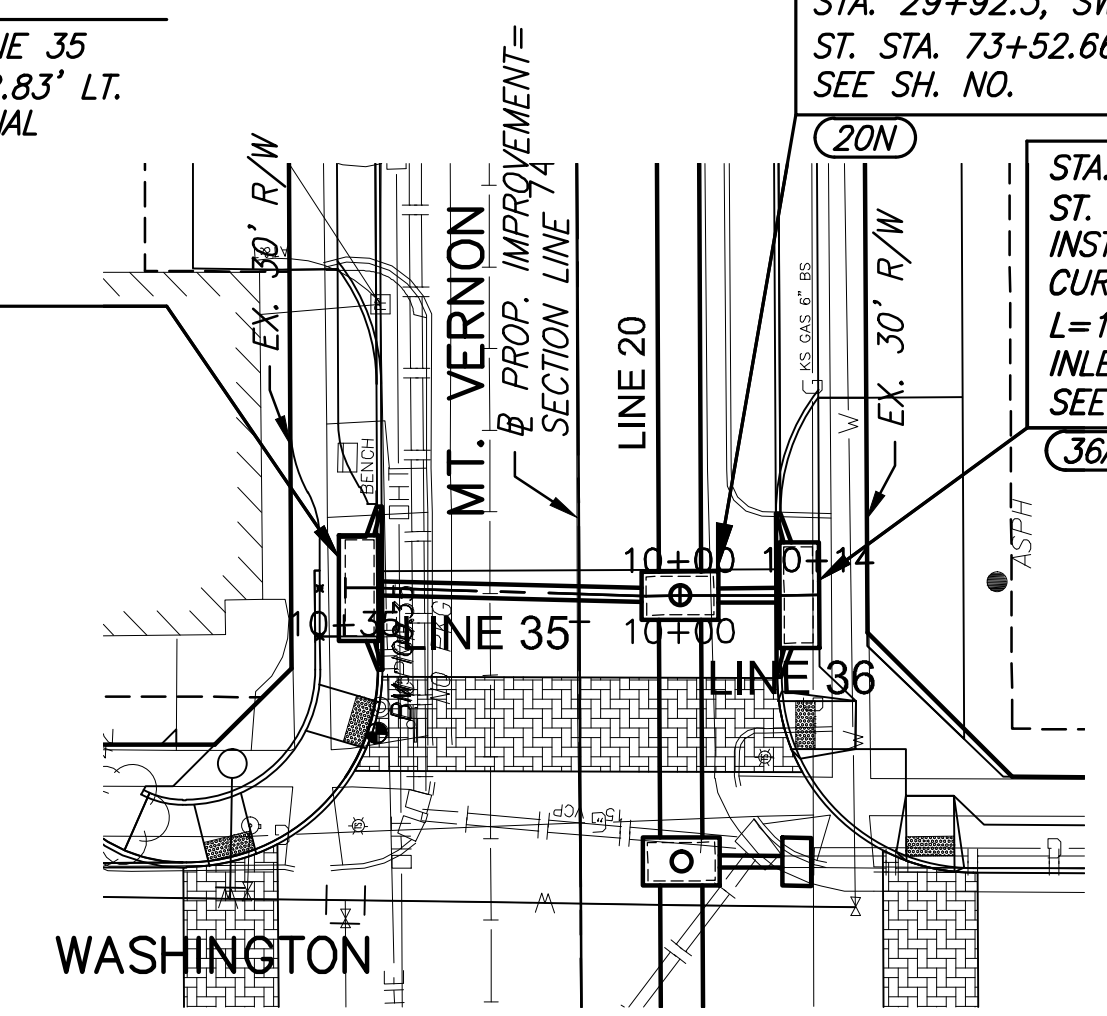


STA. 10+00.0, SWS LINE 34=
 STA. 28+78.2, SWS LINE 20=
 ST. STA. 74+66.79, 10.50' RT.
 SEE SH. NO.
(20M)



STA. 10+33.3, SWS LINE 34
 ST. STA. 74+66.79, 22.83' LT.
 INSTALL TYPE 1A (SPECIAL)
 CURB INLET
 L=10', W=3'
 INLET TOP=1288.77
 SEE SH. NO.
(34A)

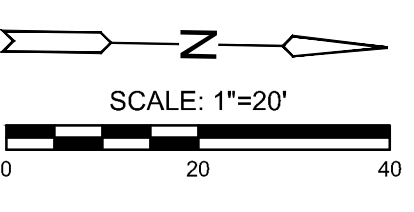
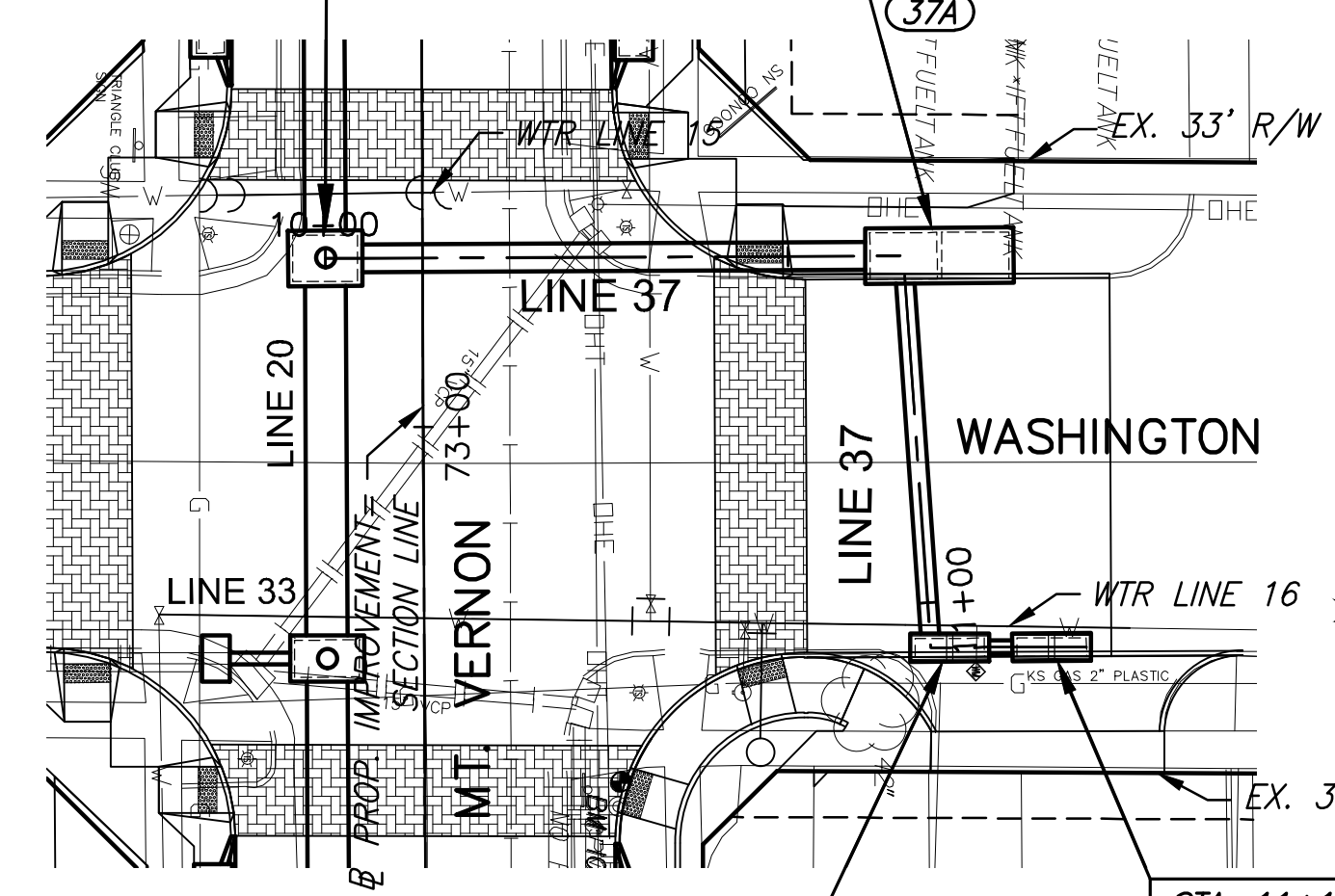
STA. 10+33.3, SWS LINE 35
 ST. STA. 73+53.62, 22.83' LT.
 INSTALL TYPE 1A SPECIAL
 CURB INLET
 L=10', W=3'
 INLET TOP=1288.54
 SEE SH. NO.
(35A)



STA. 10+00.0, SWS LINE 35=
 STA. 10+00.0, SWS LINE 36=
 STA. 29+92.3, SWS LINE 20=
 ST. STA. 73+52.66, 10.50' RT.
 SEE SH. NO.
(20N)

STA. 10+12.3, SWS LINE 36
 ST. STA. 73+52.66, 22.83' RT.
 INSTALL TYPE 1A SPECIAL
 CURB INLET
 L=10', W=3'
 INLET TOP=1288.20
 SEE SH. NO.
(36A)

STA. 10+00.0, SWS LINE 37=
 STA. 30+63.2, SWS LINE 20=
 ST. STA. 72+81.75, 10.50' RT.
 SEE SH. NO.
(20P)

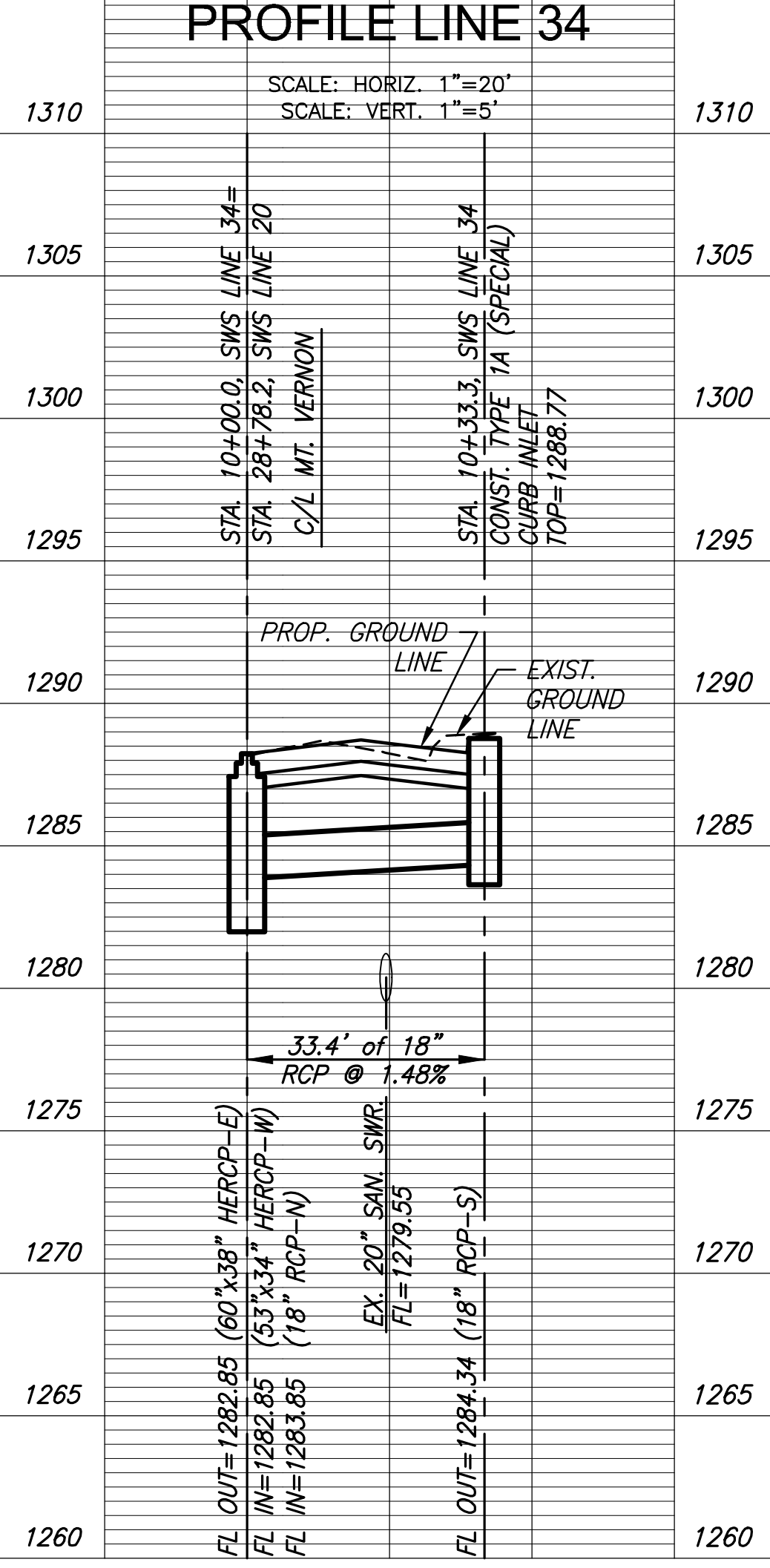


STA. 10+62.7, SWS LINE 37
 ST. STA. 72+81.75, 55.82' LT.
 INSTALL TYPE 1 CURB INLET
 L=15', W=5'
 INLET TOP=1288.67
 SEE SH. NO.
(37A)

STA. 11+06.9, SWS LINE 37
 ST. STA. 73+24.12, 56.75' LT.
 INSTALL GRATED DRIVEWAY
 INLET (DOUBLE)
 L=2', W=7'
 INLET TOP=1288.31
 SEE SH. NO.
(37B)

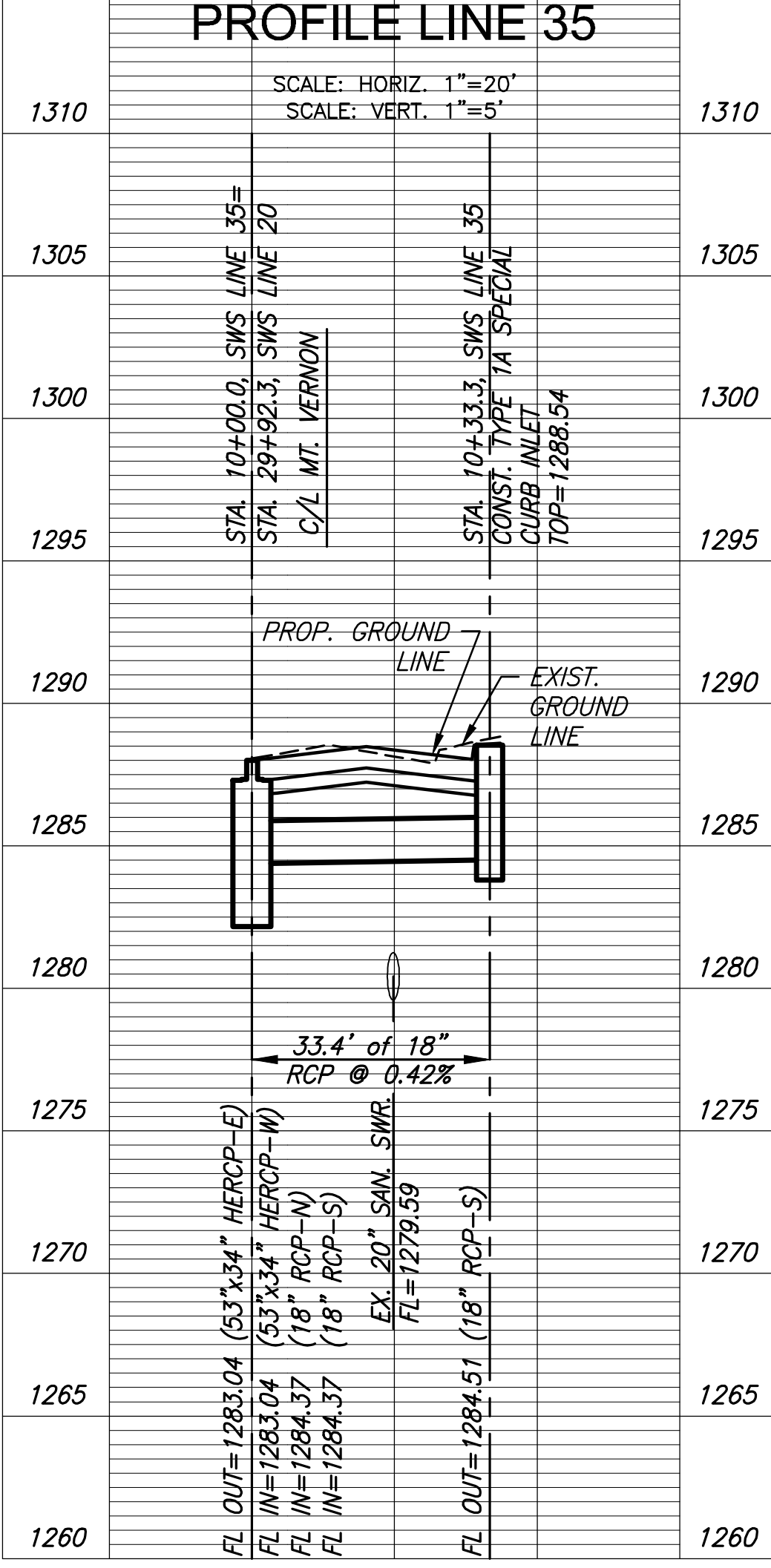
STA. 11+17.9, SWS LINE 37
 ST. STA. 73+24.13, 67.75' LT.
 INSTALL GRATED DRIVEWAY
 INLET (DOUBLE)
 L=2', W=7'
 INLET TOP=1288.35
 SEE SH. NO.
(37C)

1315 PLAN LINE 34 1315



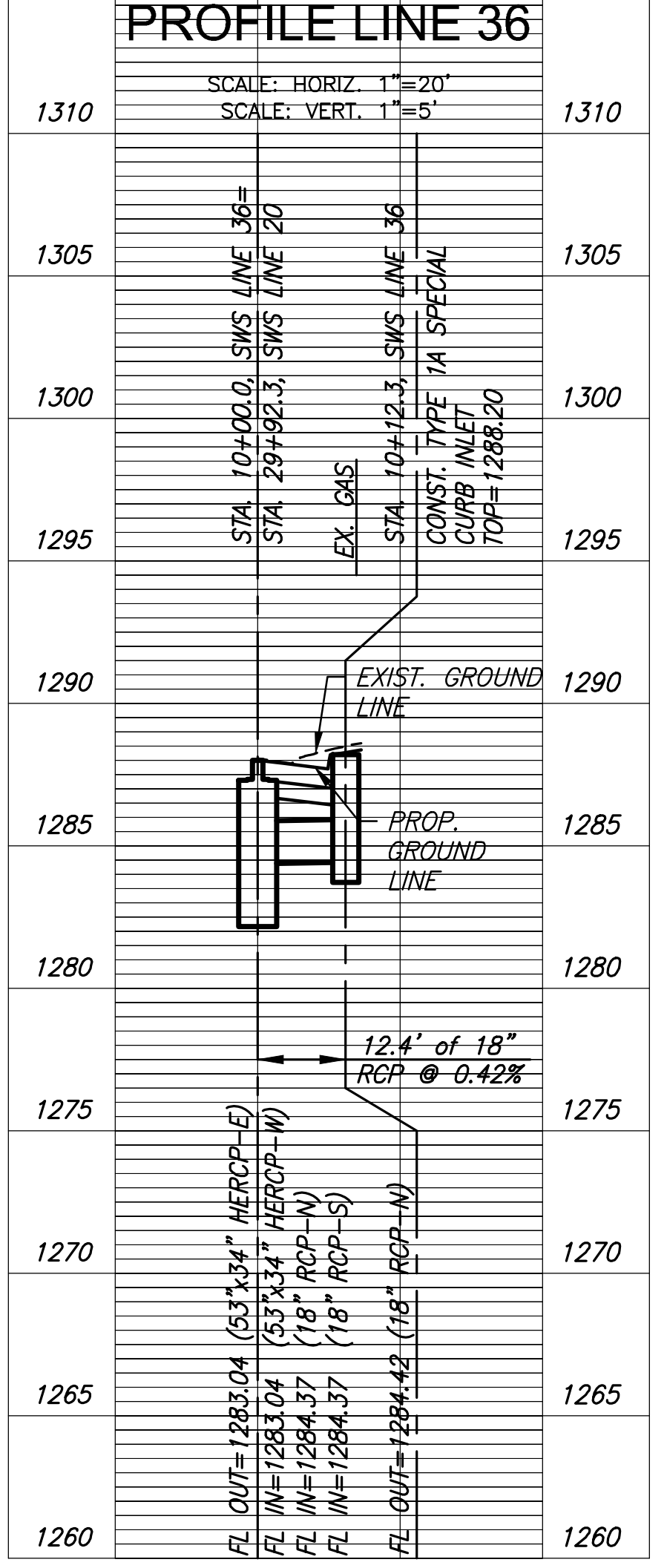
10

1315 PLAN LINE 35 1315



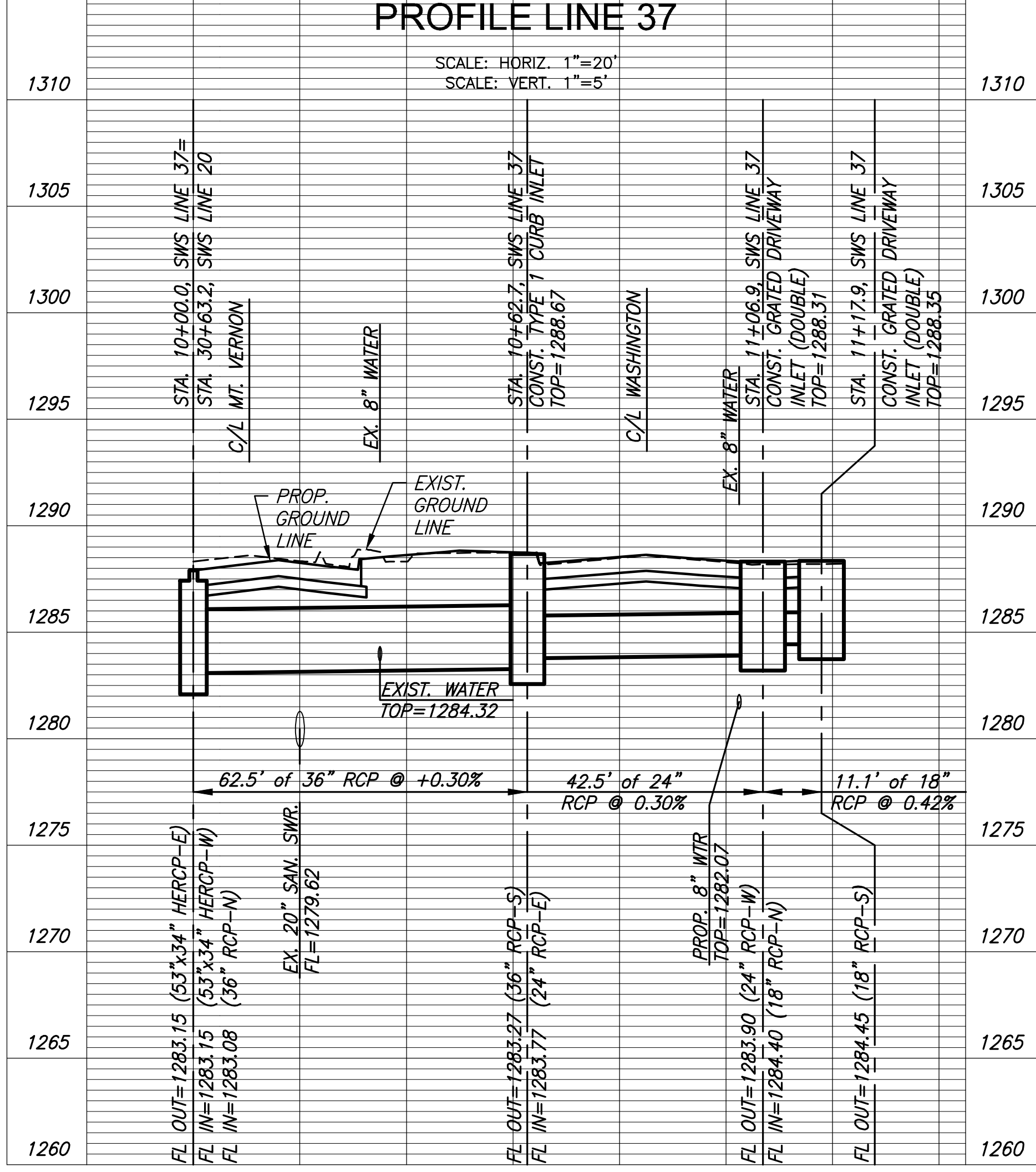
10

1315 PLAN LINE 36 1315



10

1315 PLAN LINE 37 1315



11

STREET IMPROVEMENTS FOR
MT. VERNON IMPROVEMENTS
BROADWAY TO SOUTHEAST BLVD.

©2019
 MKEC Engineering
 All Rights Reserved
 www.mkec.com
 These drawings and their contents, including, but not limited to, all concepts, designs, & ideas are the exclusive property of MKEC Engineering (MKEC), and may not be used or reproduced in any way without the express consent of MKEC.

STORM SEWER LINE 34, 35, 36, & 37

PROJECT NO.	87 N-0660-01	
DATE	8/19/2019	
SCALE	1"=20'	
DESIGNED	JRA	
DRAWN	WNJ	
CHECKED	JRA	
NO.	REVISION	DATE
SHEET NO.		