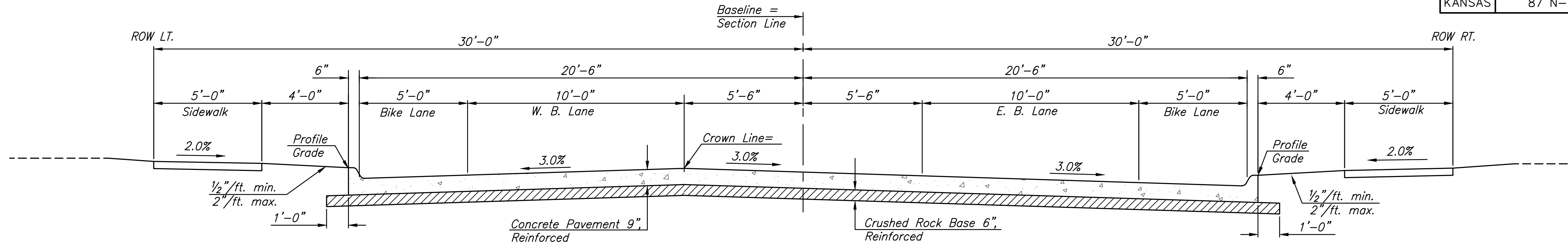


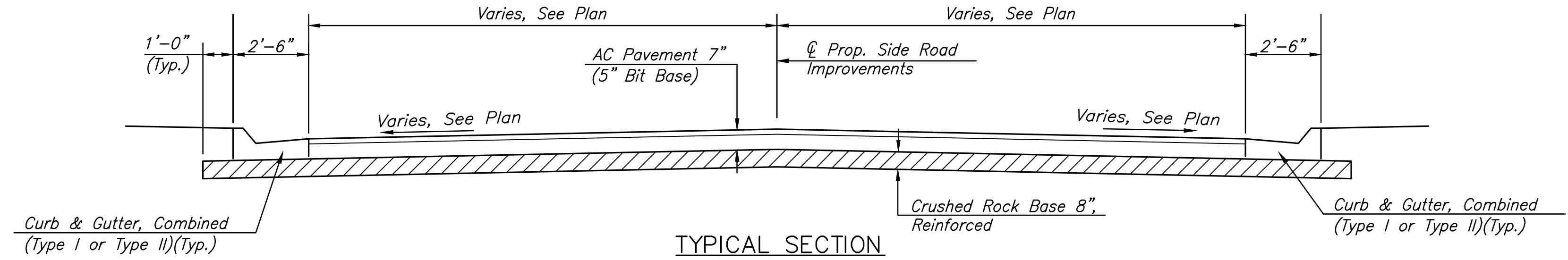
STATE	PROJECT NO.	YEAR	SHEET NO.	TOTAL SHEETS
KANSAS	87 N-0660-01	2019	4	198



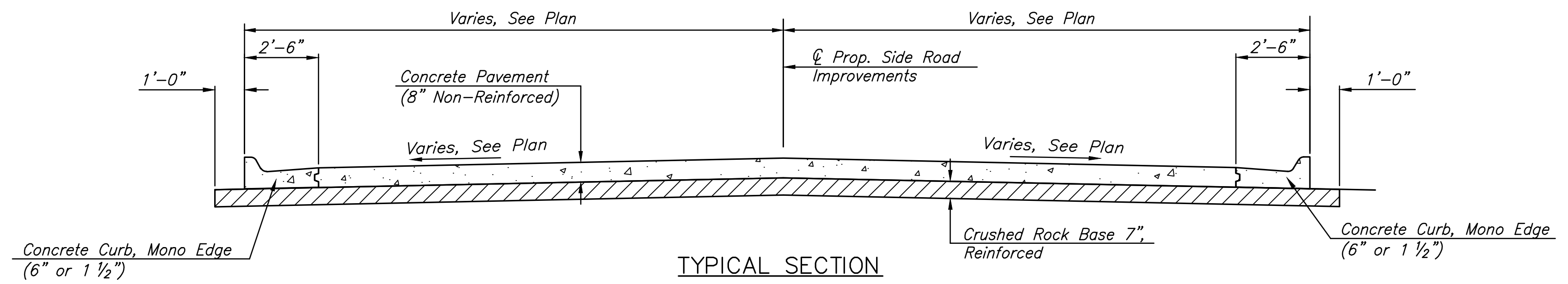
STREET IMPROVEMENTS FOR
MT. VERNON IMPROVEMENTS
 BROADWAY TO SOUTHEAST BLVD.



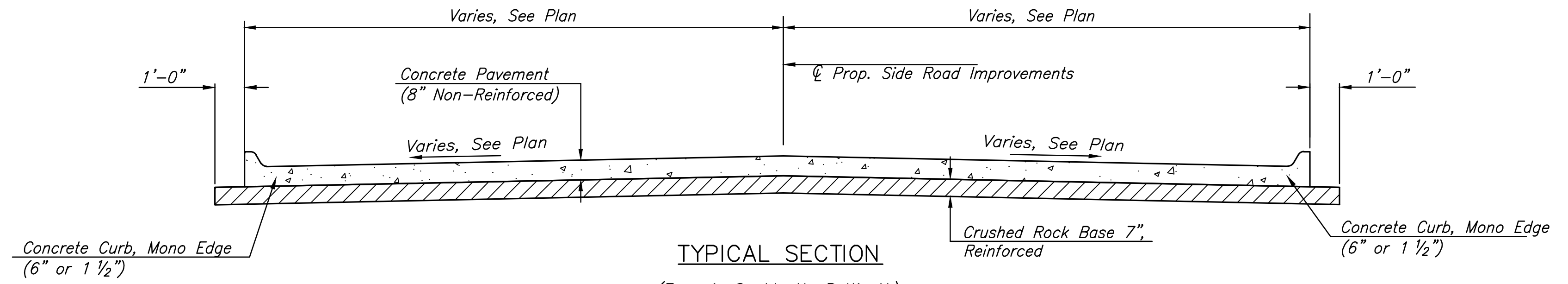
TYPICAL SECTION
(Sta. 73+55.39 to Sta. 90+80.92)



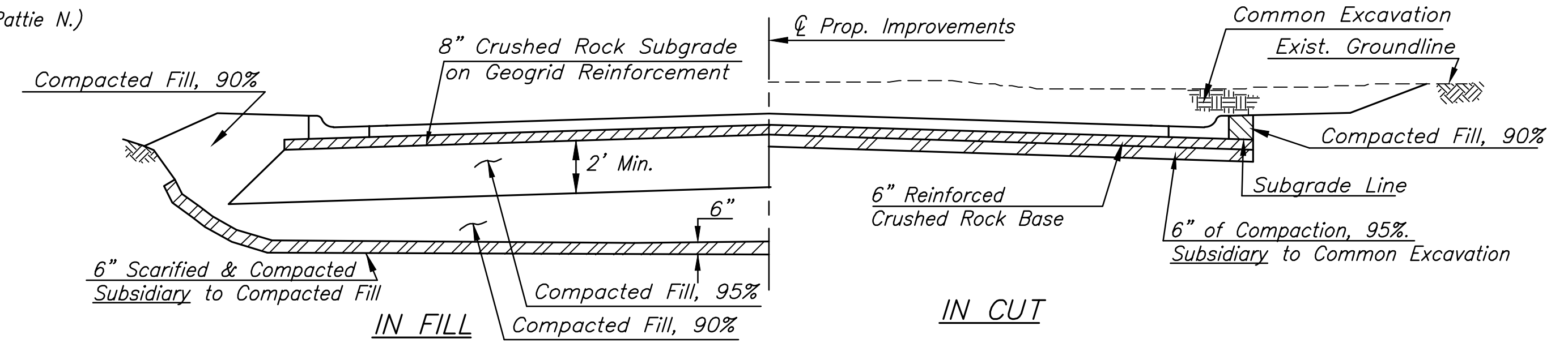
TYPICAL SECTION
(Emporia N., St. Francis S., Mosley N., Ida N., Laura N., Laura S., Ellis S.)



TYPICAL SECTION
(Topeka N., Topeka S., St. Francis N., Santa Fe N., Santa Fe S., Mosley S., Lulu N.)



TYPICAL SECTION
(Emporia S., Ida N., Pattie N.)



FOUNDATION TREATMENT AND COMPACTION OF EARTHWORK

©2019 MKEC Engineering All Rights Reserved www.mkec.com
 These drawings and their contents, including, but not limited to, all concepts, designs, & ideas are the exclusive property of MKEC Engineering (MKEC), and may not be used or reproduced in any way without the express consent of MKEC.

TYPICAL SECTIONS

PROJECT NO.	87 N-0660-01	
DATE	8/19/2019	
SCALE	NO SCALE	
DESIGNED	DRAWN	CHECKED
XXX	XXX	XXX
NO.	REVISION	DATE

SHEET NO.
4 OF 198

PLOTTED: Friday, August 23, 2019 @ 03:07PM
 J:\CIVIL\87\870660\PAV\87198_TYP2.DWG