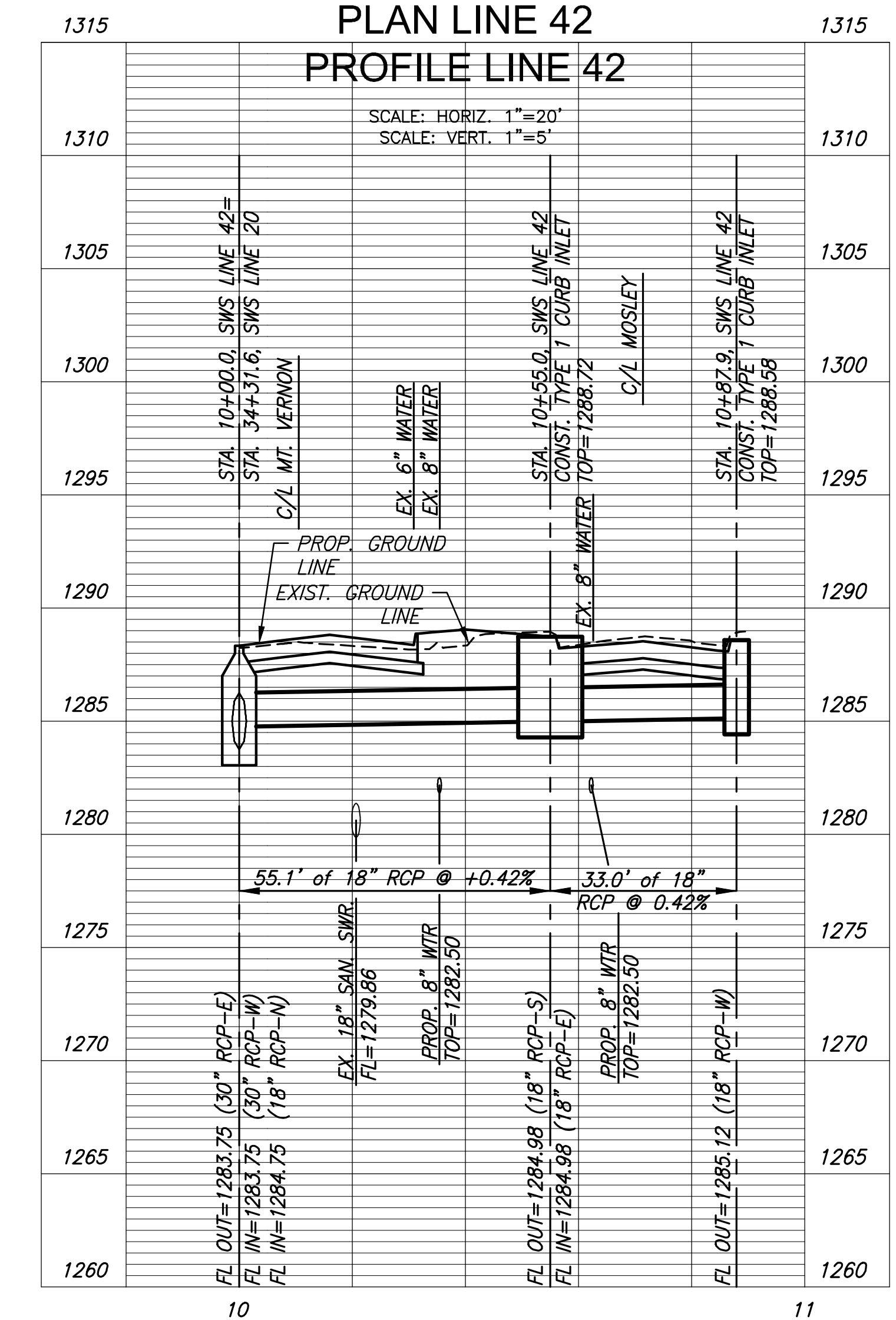
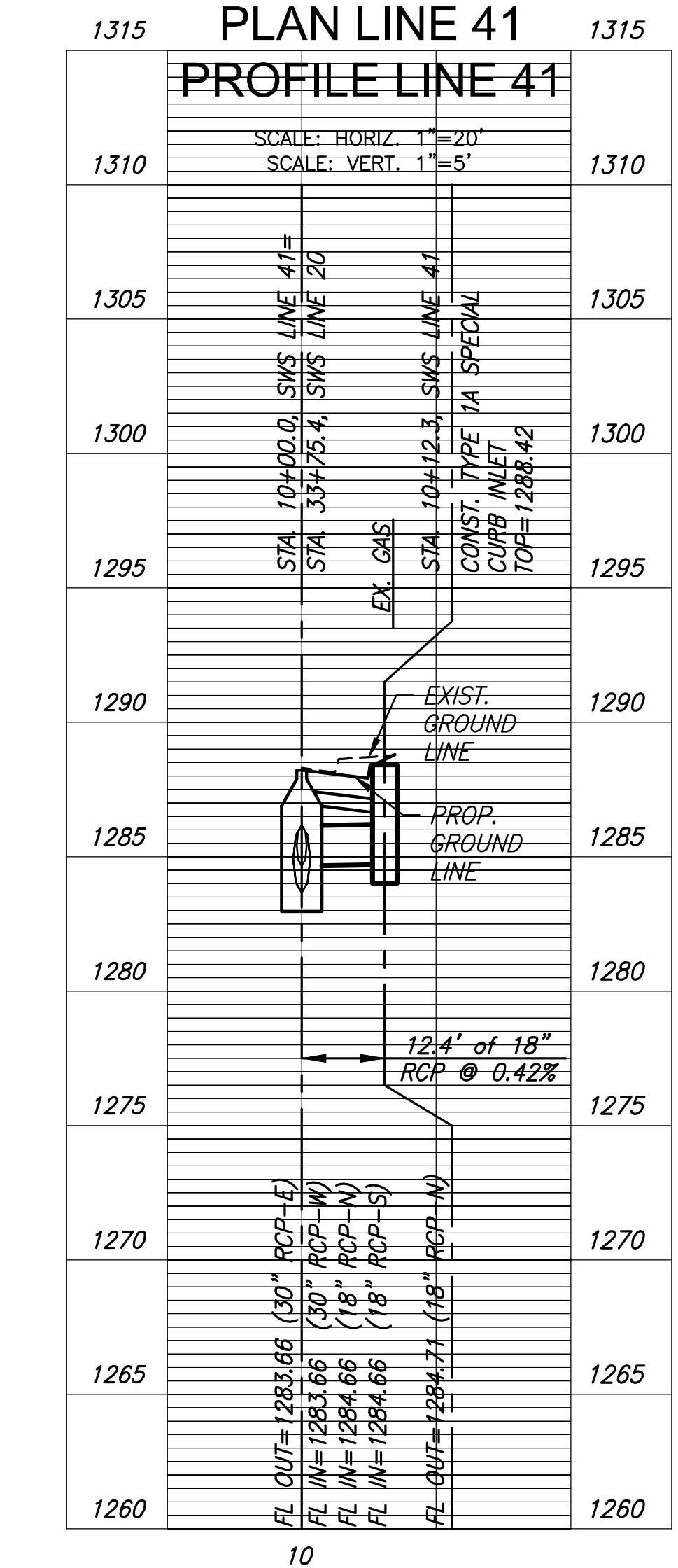
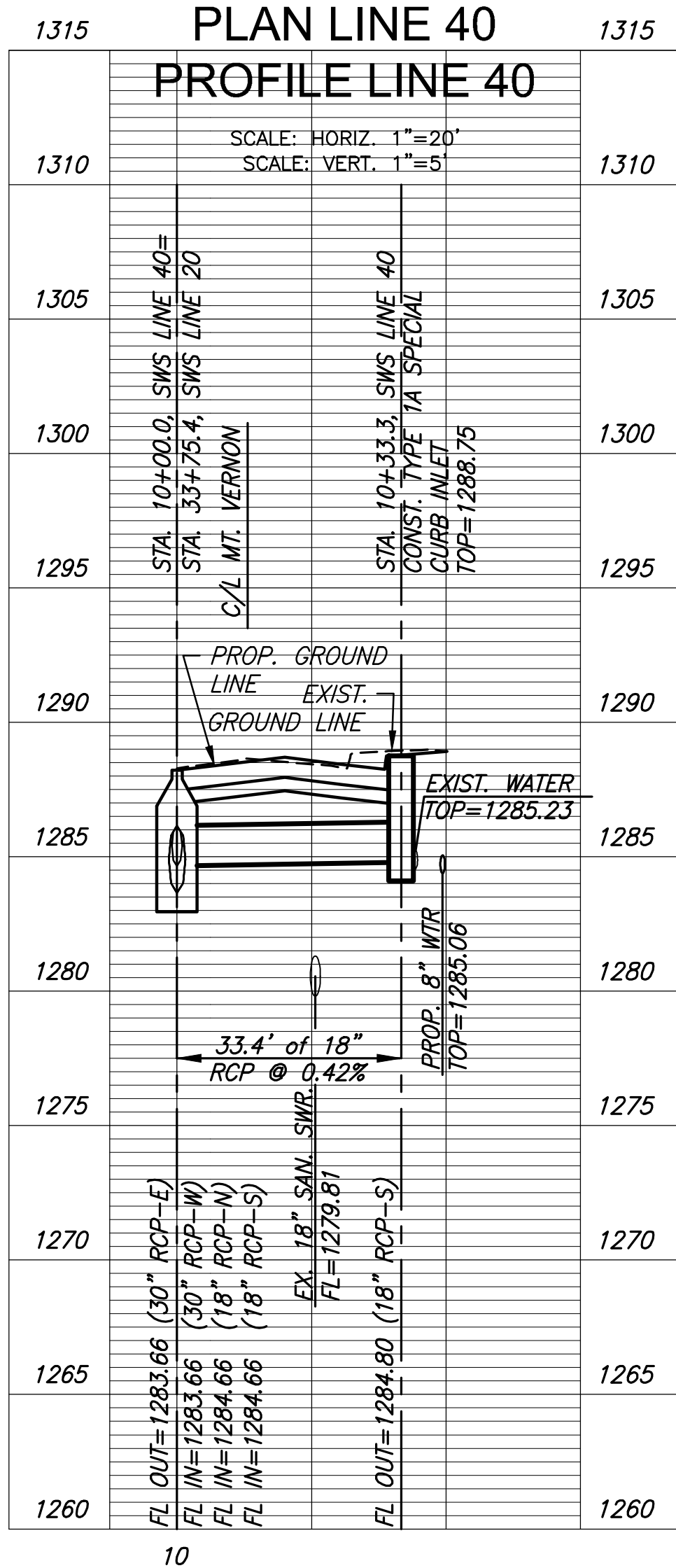
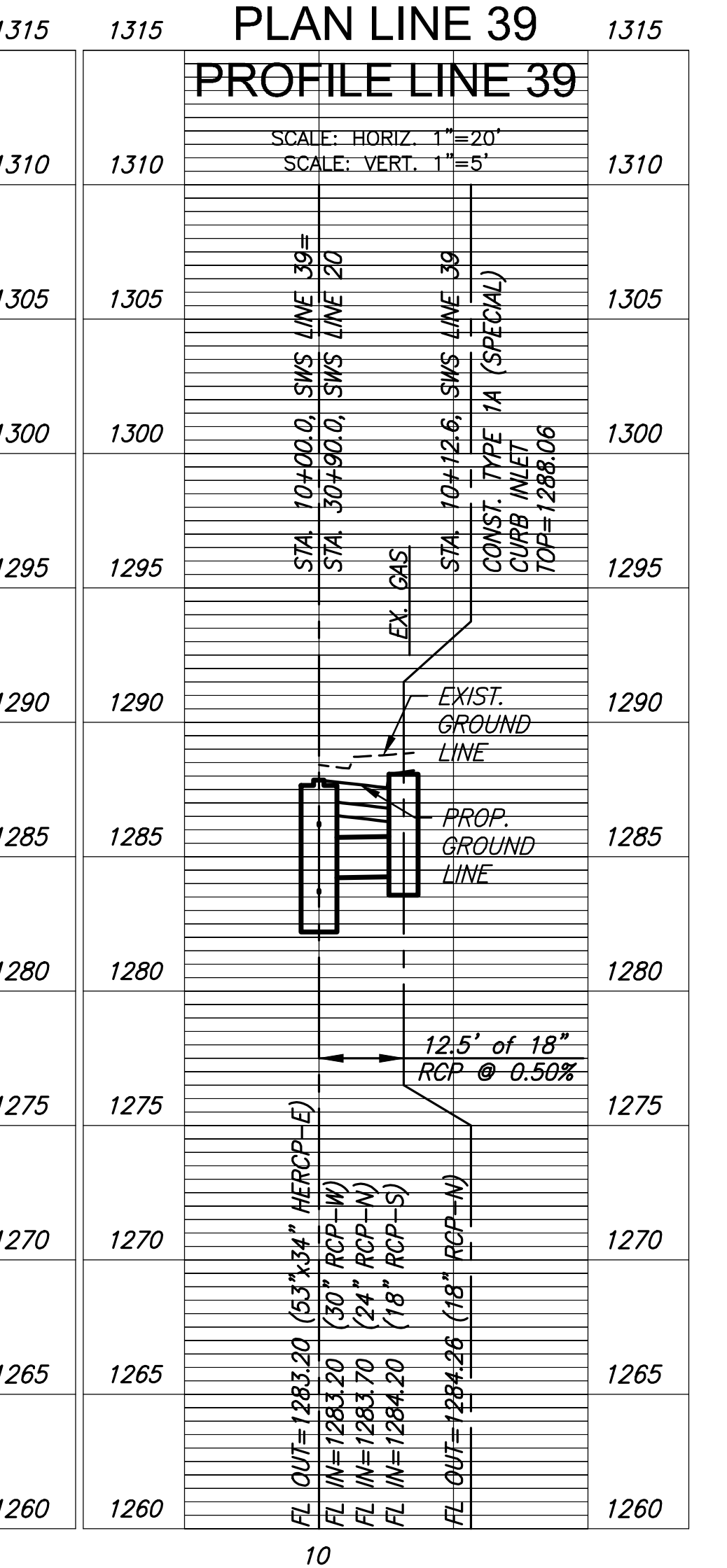
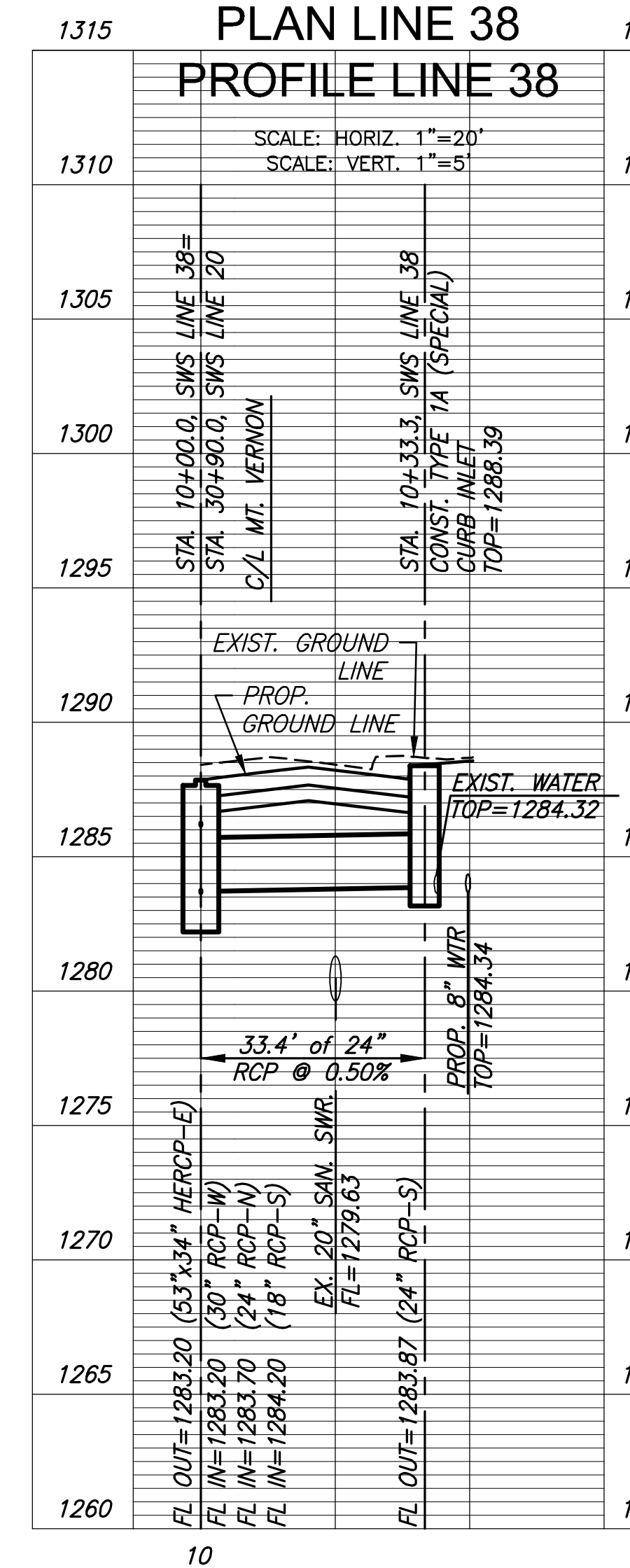
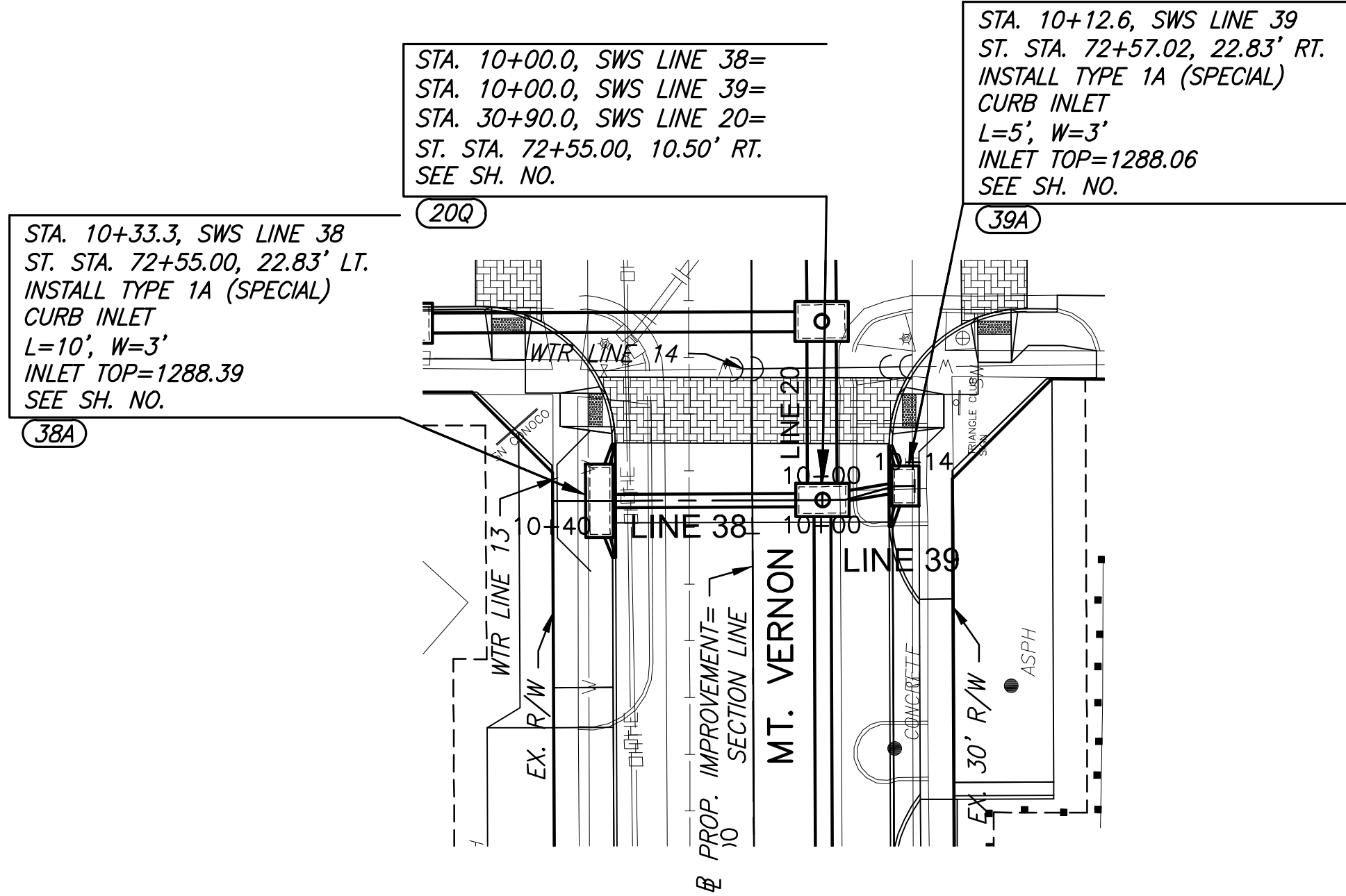


STATE	PROJECT NO.	YEAR	SHEET NO.	TOTAL SHEETS
KANSAS	87 N-0660-01	2019	40	198



STREET IMPROVEMENTS FOR  
**MT. VERNON IMPROVEMENTS**  
BROADWAY TO SOUTHEAST BLVD.



©2019 MKEC Engineering All Rights Reserved  
www.mkec.com  
These drawings and their contents, including, but not limited to, all concepts, designs, & lists are the exclusive property of MKEC Engineering (MKEC), and may not be used or reproduced in any way without the express consent of MKEC.

**STORM SEWER LINE 38, 39, 40, 41, & 42**

PROJECT NO.	87 N-0660-01	
DATE	8/19/2019	
SCALE	1"=20'	
DESIGNED	DRAWN	CHECKED
JRA	WNJ	JRA
NO.	REVISION	DATE
SHEET NO.		
40 OF 198		