



STREET IMPROVEMENTS FOR  
**MT. VERNON IMPROVEMENTS**  
BROADWAY TO SOUTHEAST BLVD.

©2019  
MKEC Engineering  
All Rights Reserved  
www.mkec.com  
These drawings and their contents, including, but not limited to, all concepts, designs, & lists are the exclusive property of MKEC Engineering (MKEC), and may not be used or reproduced in any way without the express consent of MKEC.

**STORM SEWER  
LINE 43, 44, 45, &  
46**

PROJECT NO.	87 N-0660-01	
DATE	8/19/2019	
SCALE	1"=20'	
DESIGNED	DRAWN	CHECKED
JRA	WNJ	JRA

NO.	REVISION	DATE

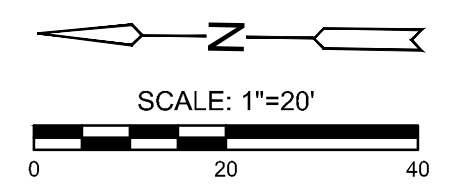
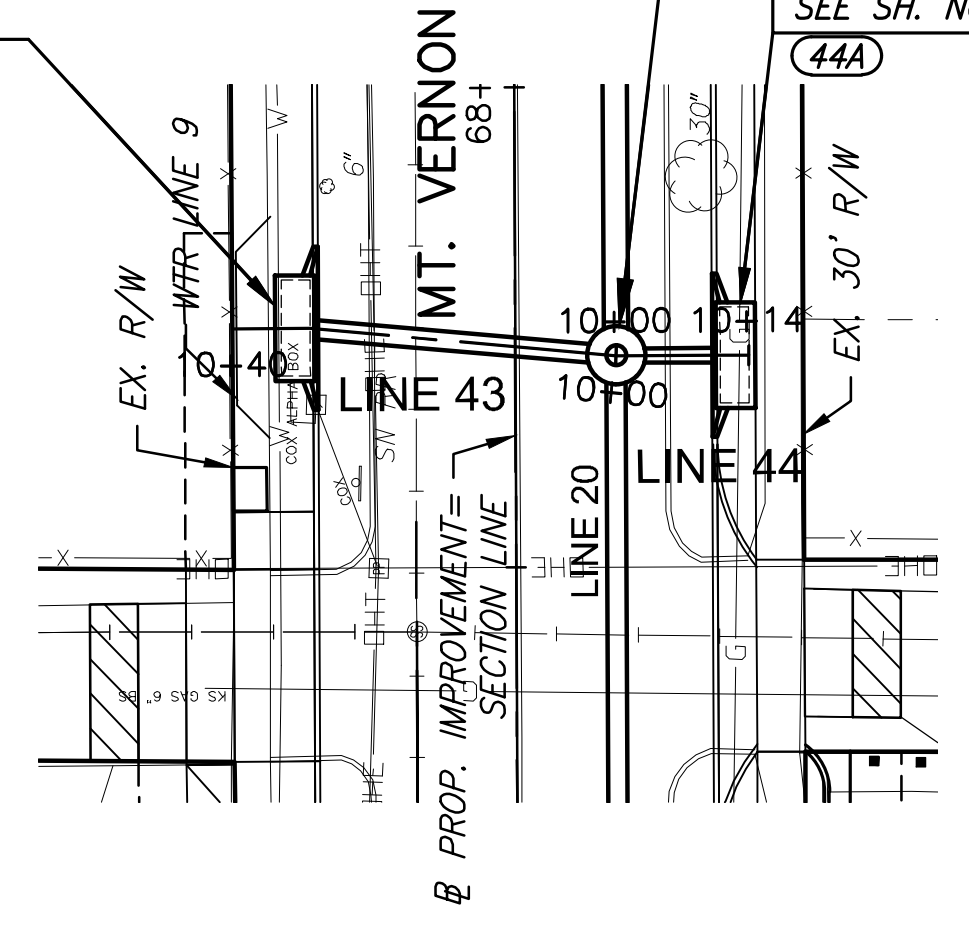
PLOTED: Friday, August 23, 2019 @ 08:33AM

J:\CIVIL\87\87N0660\SW\SWR\18RD2019.DWG

STA. 10+33.5, SWS LINE 43  
ST. STA. 67+75.00, 22.83' LT.  
INSTALL TYPE 1A (SPECIAL)  
CURB INLET  
L=10', W=3'  
INLET TOP=1289.24  
SEE SH. NO.  
**(43A)**

STA. 10+00.0, SWS LINE 43=  
STA. 10+00.0, SWS LINE 44=  
STA. 35+73.0, SWS LINE 20=  
ST. STA. 67+72.00, 10.50' RT.  
SEE SH. NO.  
**(20T)**

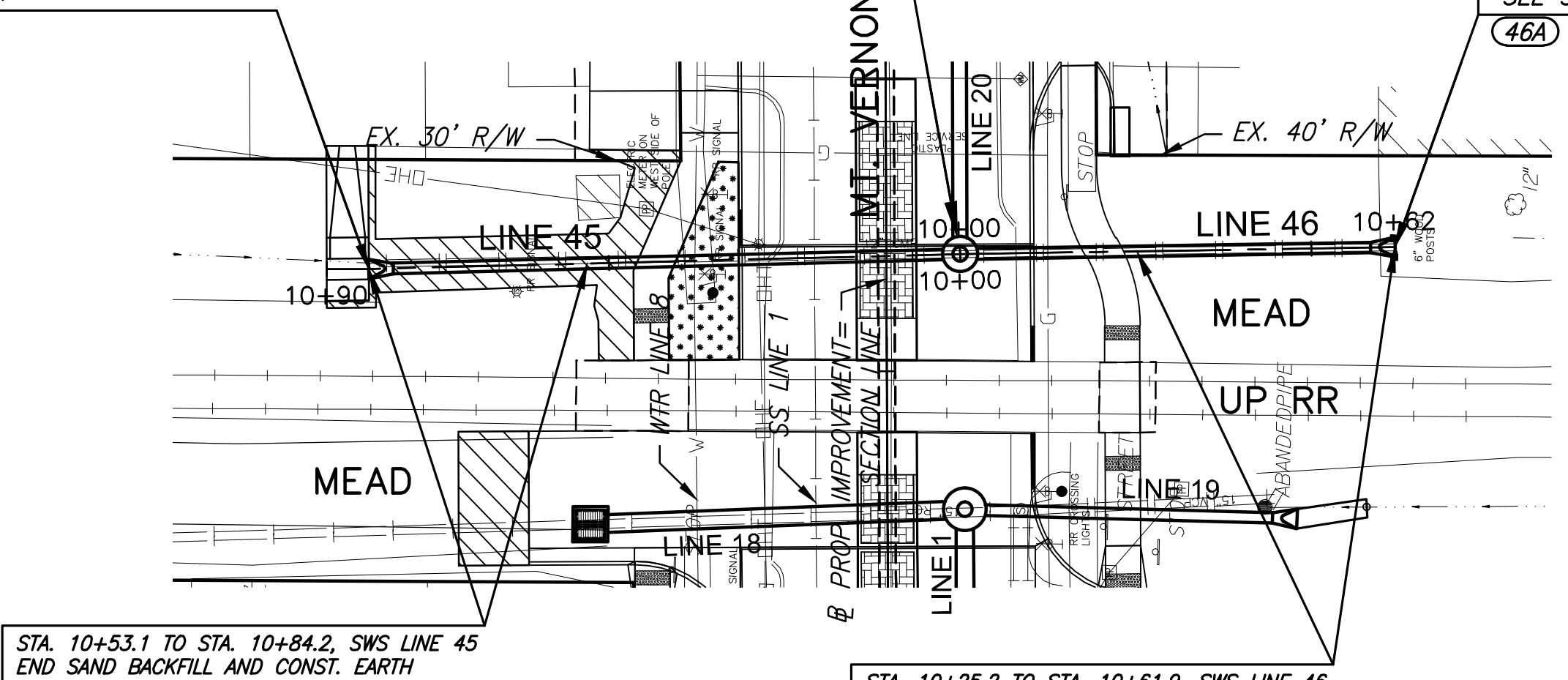
STA. 10+12.3, SWS LINE 44  
ST. STA. 67+72.00, 22.83' RT.  
INSTALL TYPE 1A (SPECIAL)  
CURB INLET  
L=10', W=3'  
INLET TOP=1288.92  
SEE SH. NO.  
**(44A)**



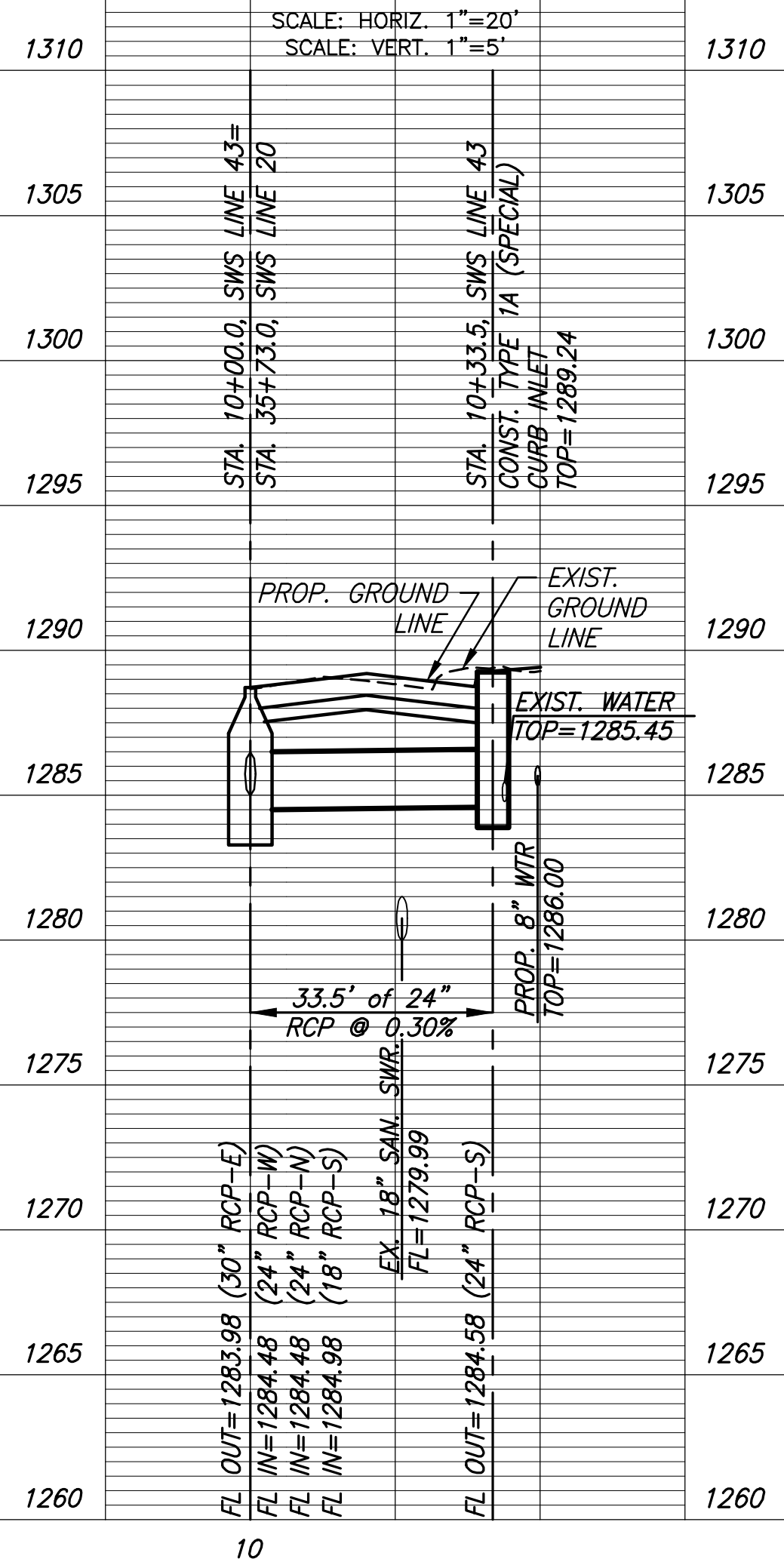
STA. 10+84.2, SWS LINE 45  
ST. STA. 65+64.86, 73.66' LT.  
INSTALL 18" END SECTION  
SEE SH. NO.  
**(45A)**

STA. 10+00.0, SWS LINE 45=  
STA. 10+00.0, SWS LINE 46=  
STA. 37+78.4, SWS LINE 20=  
ST. STA. 65+66.59, 10.50' RT.  
SEE SH. NO.  
**(20U)**

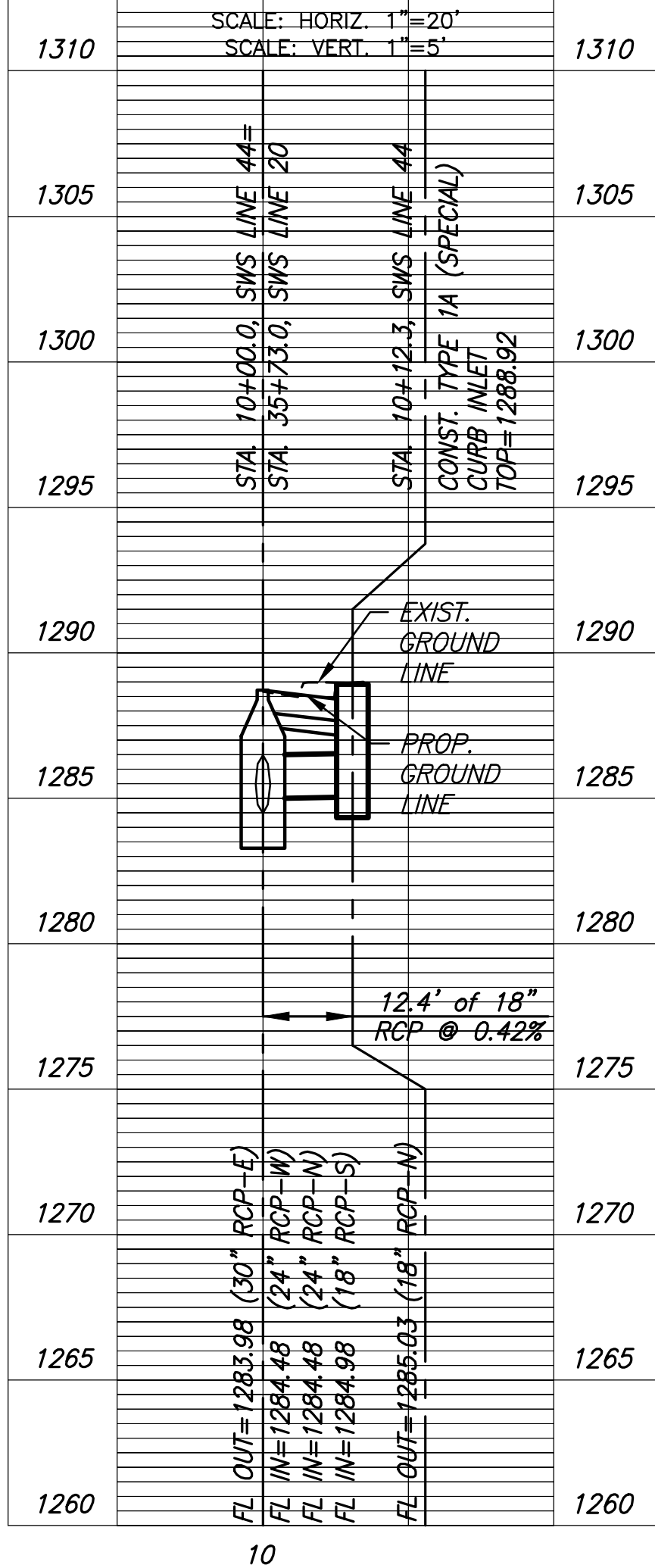
STA. 10+61.9, SWS LINE 46  
ST. STA. 65+67.31, 72.42' RT.  
INSTALL 18" END SECTION  
SEE SH. NO.  
**(46A)**



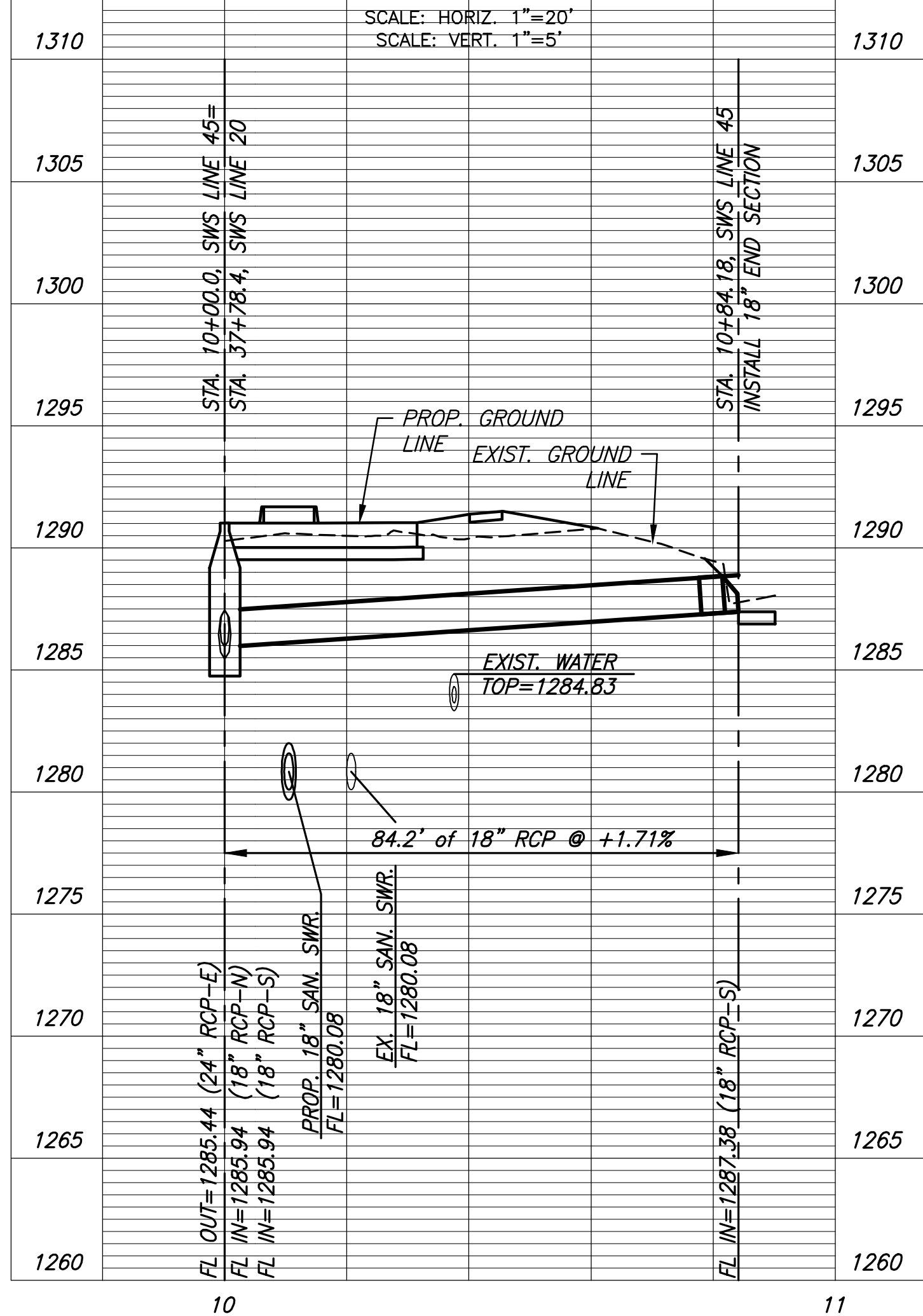
1315 **PLAN LINE 43** 1315  
**PROFILE LINE 43**



1315 **PLAN LINE 44** 1315  
**PROFILE LINE 44**



1315 **PLAN LINE 45** 1315  
**PROFILE LINE 45**



1315 **PLAN LINE 46** 1315  
**PROFILE LINE 46**

