

PLOTTED: Friday, August 23, 2019 @ 03:44PM

J:\CIVIL\08138\DWG\SWS\08138-021.DWG

STATE	PROJECT NO.	YEAR	SHEET NO.	TOTAL SHEETS
KANSAS	87 N-0660-01	2019	42	198



STREET IMPROVEMENTS FOR  
**MT. VERNON IMPROVEMENTS**  
BROADWAY TO SOUTHEAST BLVD.

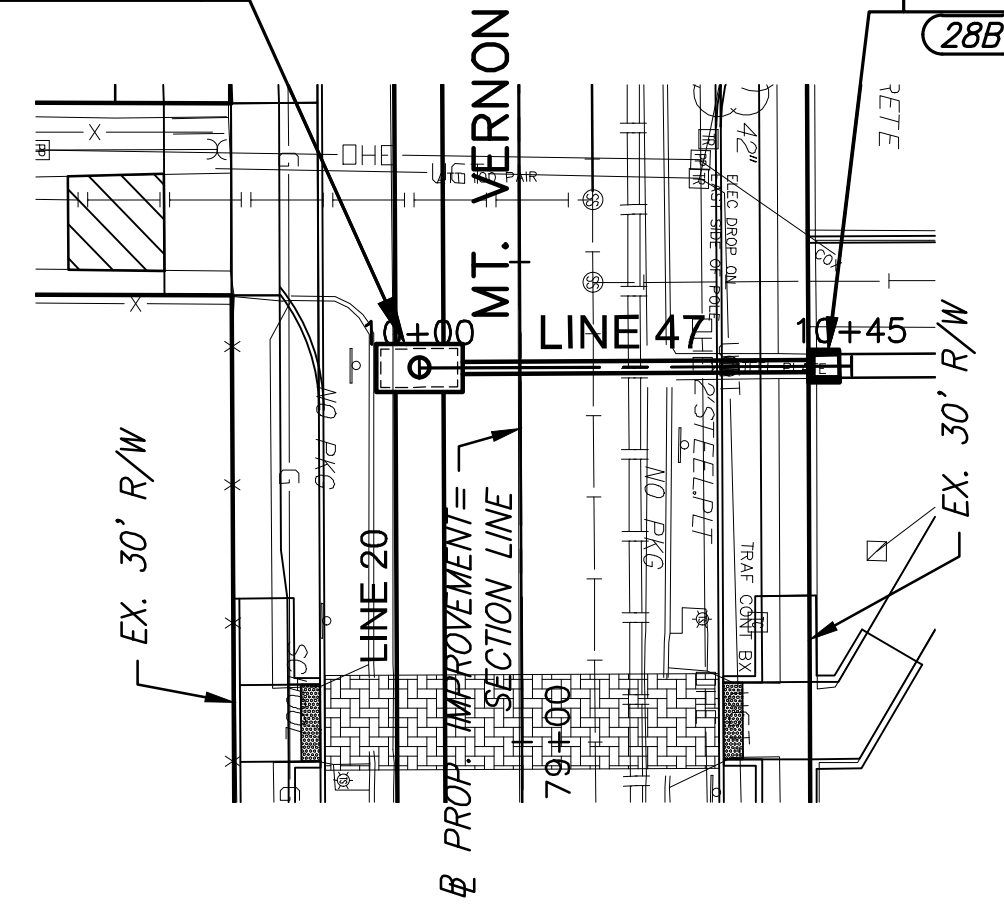
©2019 MKEC Engineering All Rights Reserved  
www.mkec.com  
These drawings and their contents, including, but not limited to, all concepts, designs, & ideas are the exclusive property of MKEC Engineering (MKEC), and may not be used or reproduced in any way without the express consent of MKEC.

**STORM SEWER LINE 47 & 48**

PROJECT NO.	87 N-0660-01	
DATE	8/19/2019	
SCALE	1"=20'	
DESIGNED	JRA	
DRAWN	WNJ	
CHECKED	JRA	
NO.	REVISION	DATE
SHEET NO. 42 OF 198		

STA. 10+00.0, SWS LINE 47=  
STA. 24+84.0, SWS LINE 20=  
ST. STA. 78+60.98, 10.50' RT.  
SEE SH. NO.

(20K)

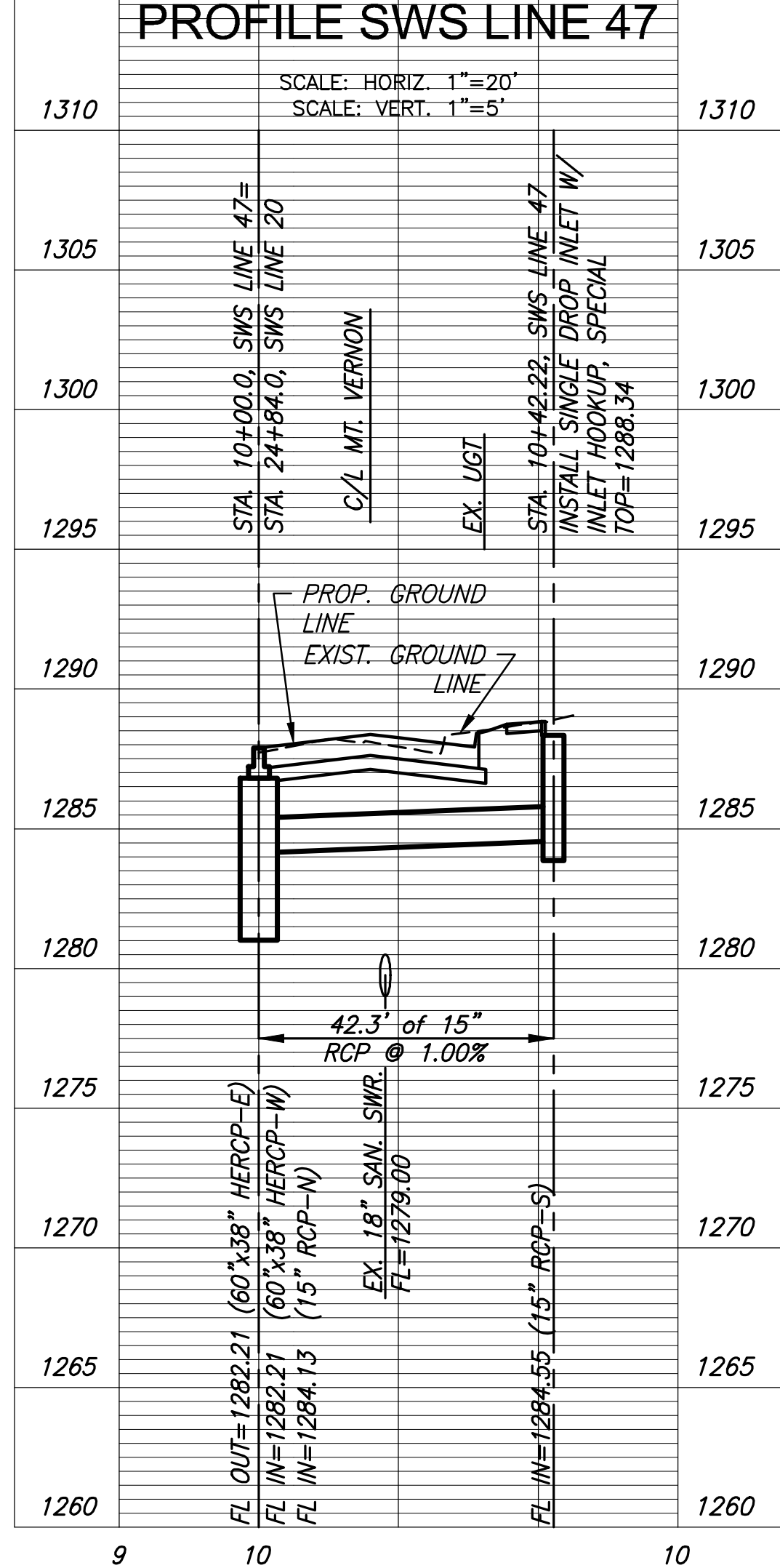


STA. 10+42.2, SWS LINE 47  
ST. STA. 78+60.98, 31.72' LT.  
INSTALL SINGLE DROP INLET W/  
INLET HOOKUP, SPECIAL  
L=2', W=2'  
INLET TOP=1288.34  
SEE SH. NO.

(28B)



1315 PLAN SWS LINE 47 1315

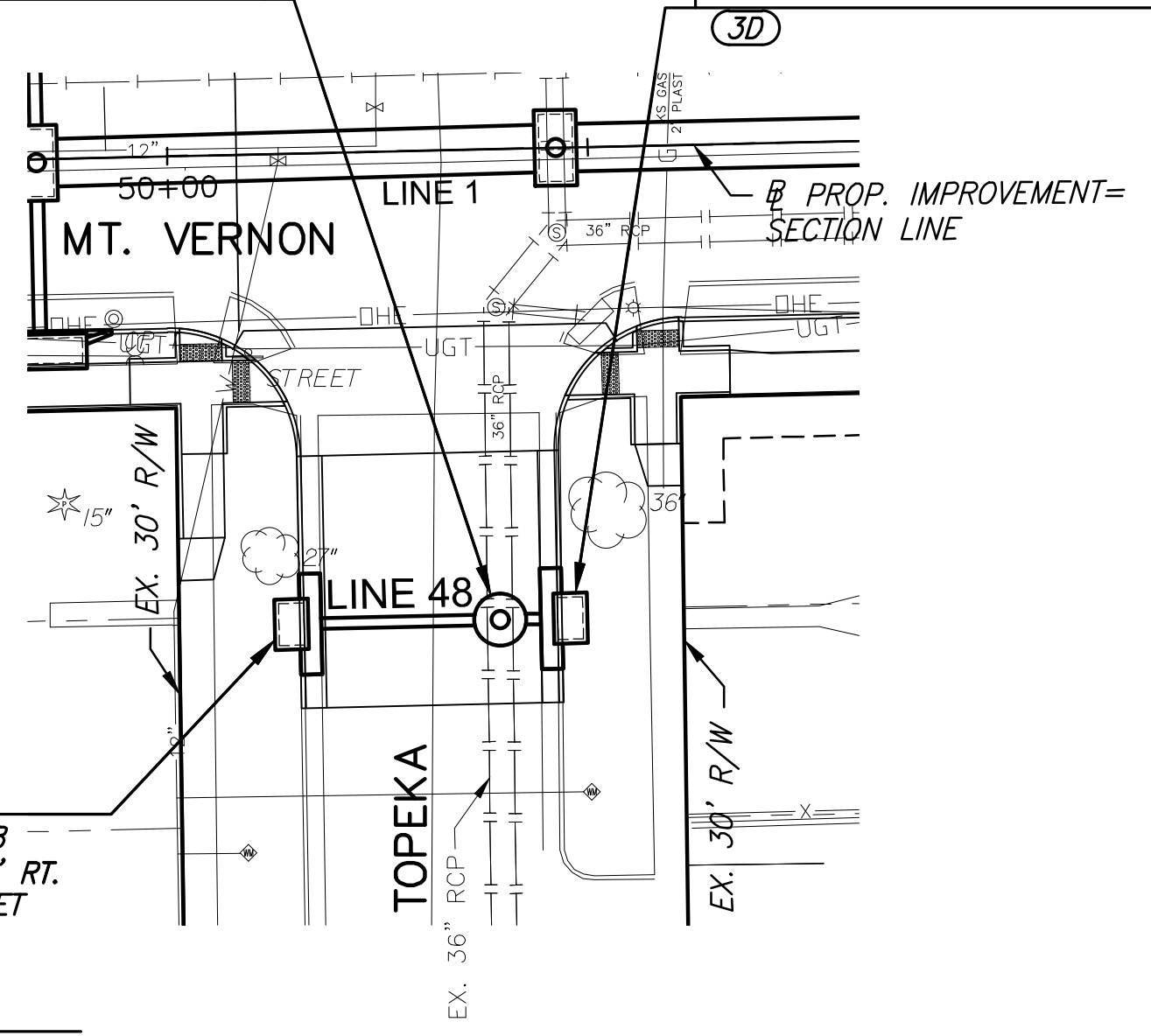


STA. 10+00.0, SWS LINE 48  
ST. STA. 50+38.38, 56.00' RT.  
INSTALL 6' DIA. STD. MANHOLE  
CONNECT TO EX. 36" RCP  
MH TOP=1288.98  
SEE SH. NO.

(32)

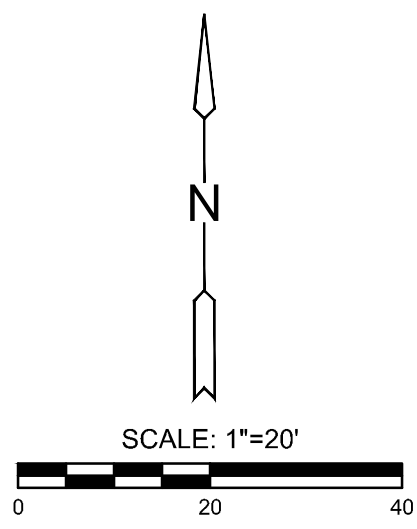
STA. 10+08.4, SWS LINE 47  
ST. STA. 50+46.73, 56.00' RT.  
INSTALL TYPE 1 CURB INLET  
L=5', W=3'  
INLET TOP=1289.28  
SEE SH. NO.

(3D)



STA. 9+75.2, SWS LINE 48  
ST. STA. 50+13.58, 56.00' RT.  
INSTALL TYPE 1 CURB INLET  
L=5', W=3'  
INLET TOP=1289.28  
SEE SH. NO.

(3B)



1315 PLAN SWS LINE 48 1315

