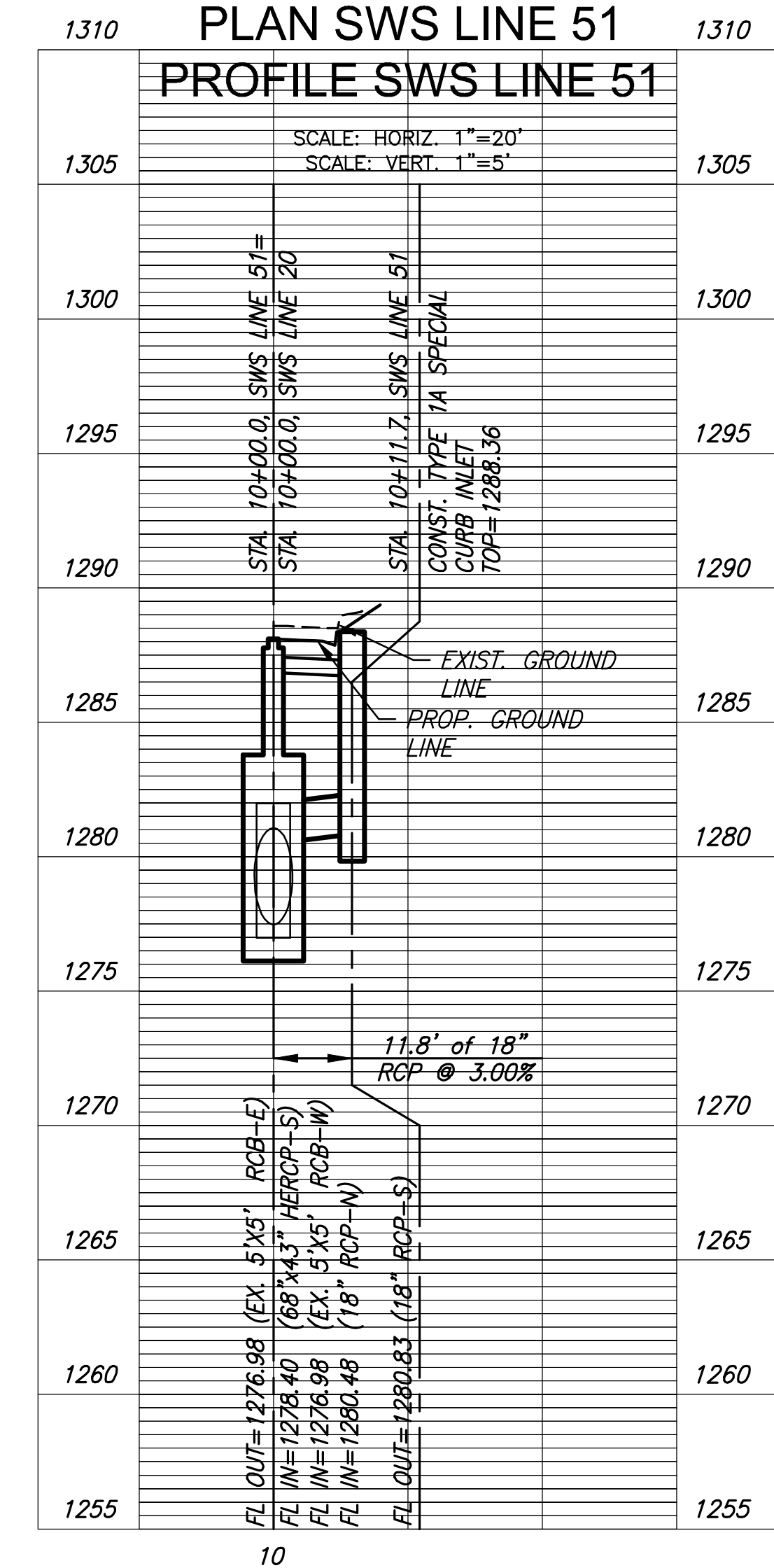
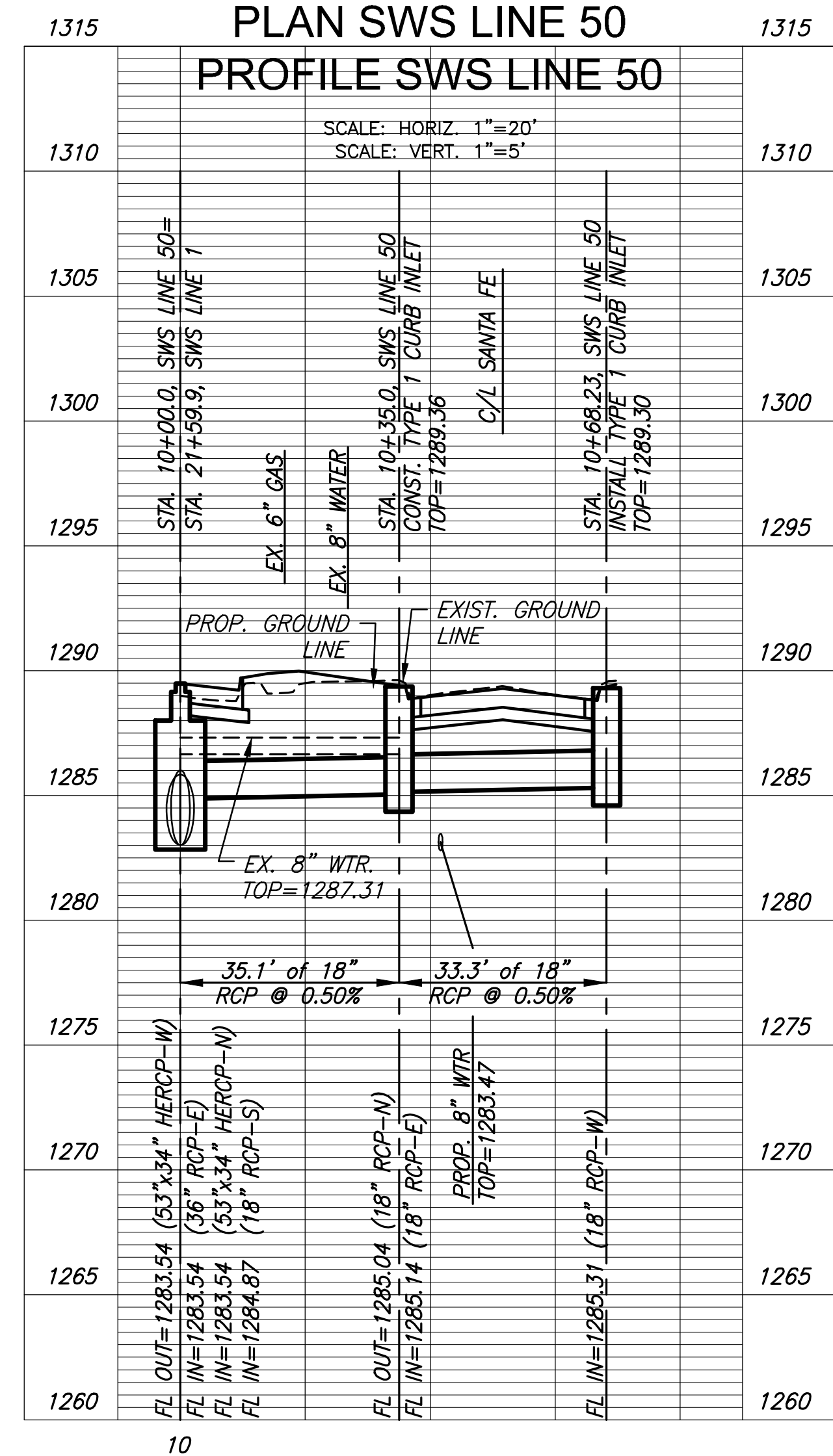
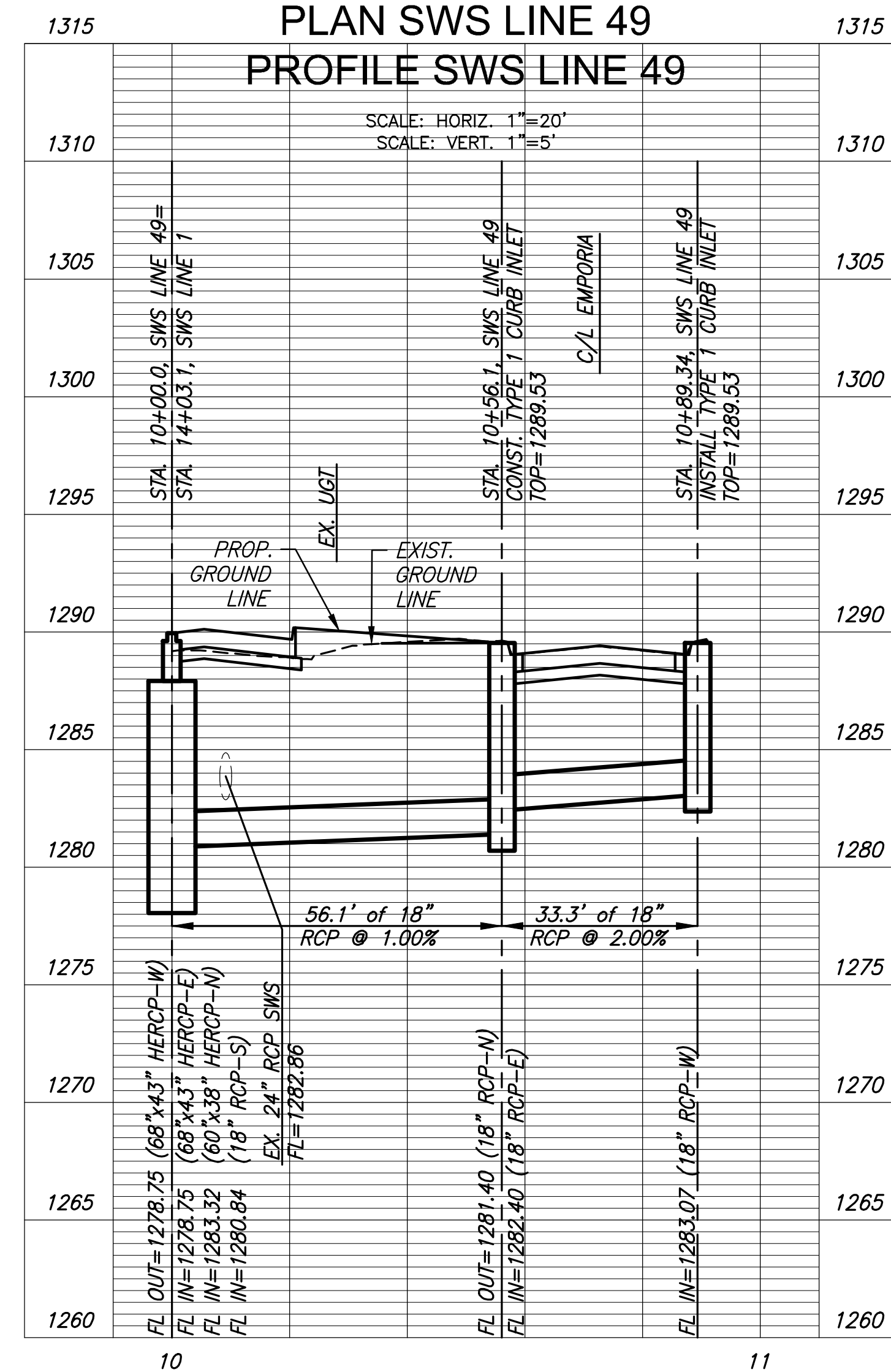
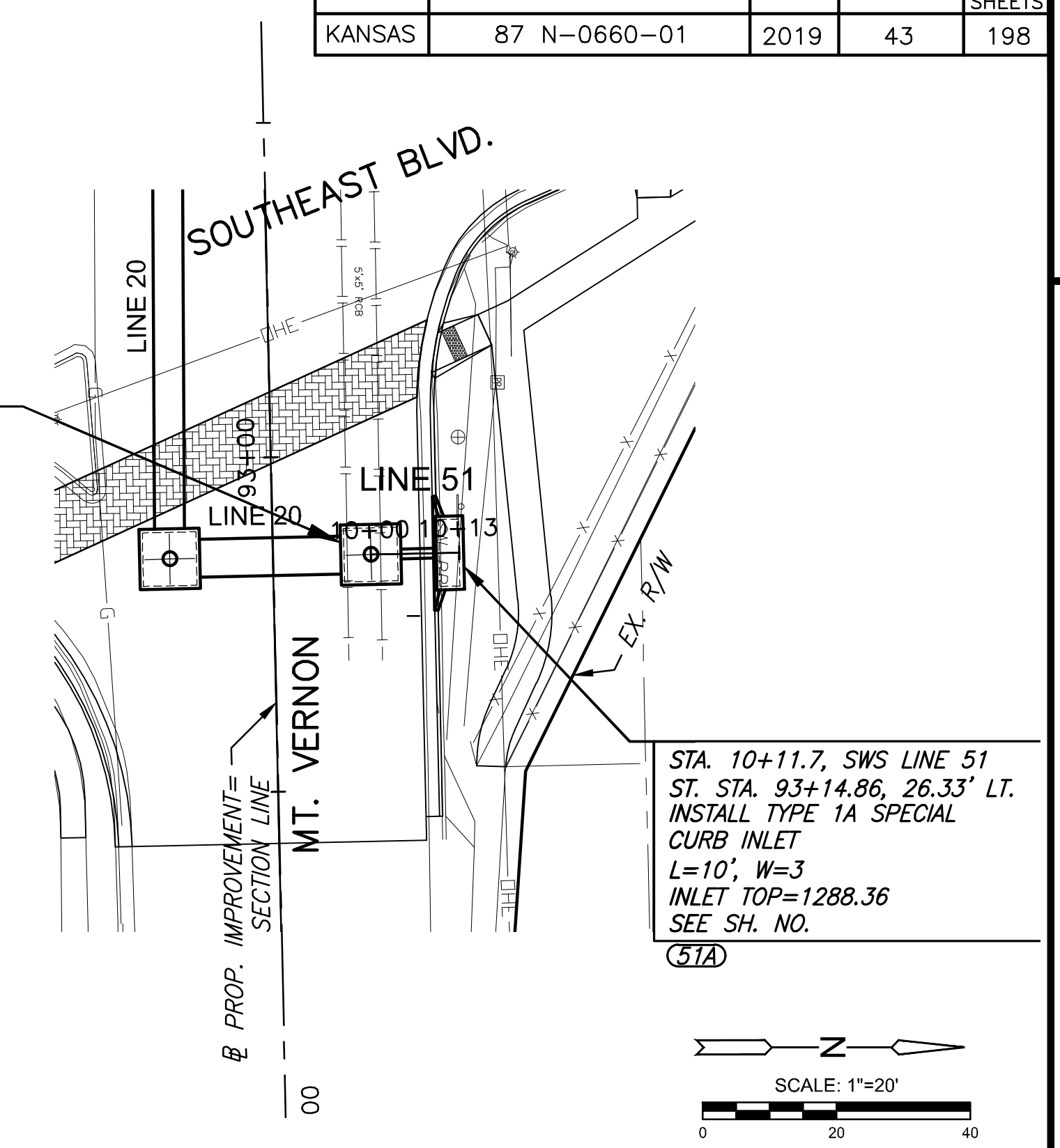
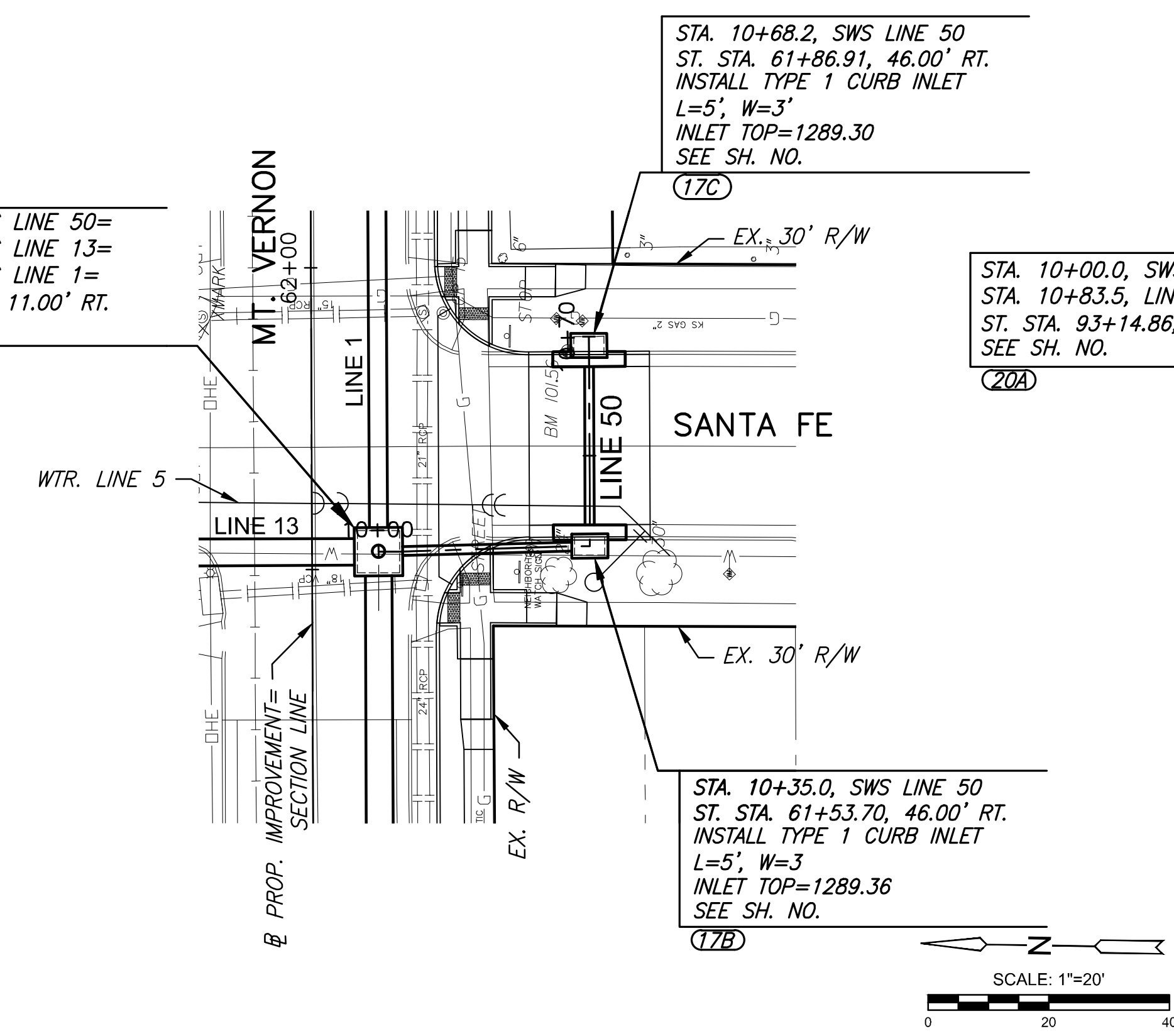
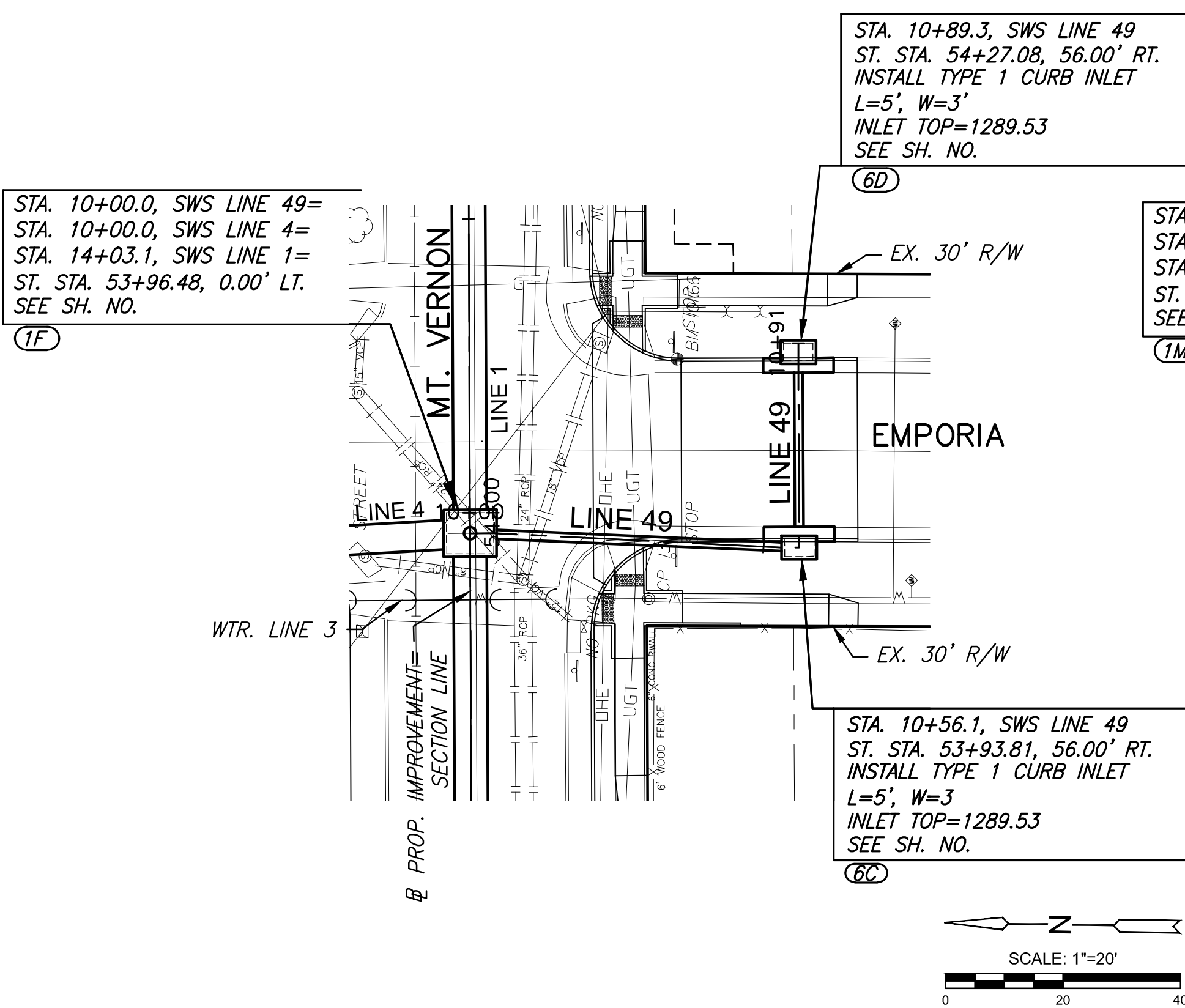


PLOTTED: Friday, August 23, 2019 @ 03:49PM
 J:\CIVIL\1819\DWGS\SWS\1819-0222.DWG

| STATE | PROJECT NO. | YEAR | SHEET NO. | TOTAL SHEETS |
|--------|--------------|------|-----------|--------------|
| KANSAS | 87 N-0660-01 | 2019 | 43 | 198 |



STREET IMPROVEMENTS FOR
MT. VERNON IMPROVEMENTS
 BROADWAY TO SOUTHEAST BLVD.

©2019
 MKEC Engineering
 All Rights Reserved
 www.mkec.com
 These drawings and their contents, including, but not limited to, all concepts, designs, & fees are the exclusive property of MKEC Engineering (MKEC), and may not be used or reproduced in any way without the express consent of MKEC.

STORM SEWER LINE 49, 50 & 51

| | | |
|---------------------|--------------|------|
| PROJECT NO. | 87 N-0660-01 | |
| DATE | 8/19/2019 | |
| SCALE | 1"=20' | |
| DESIGNED | JRA | |
| DRAWN | WNJ | |
| CHECKED | JRA | |
| NO. | REVISION | DATE |
| SHEET NO. 43 OF 198 | | |