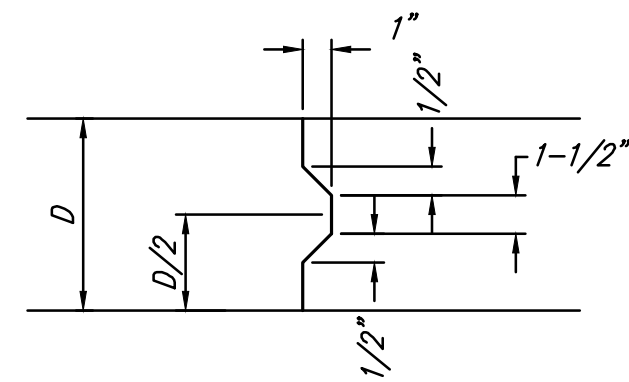
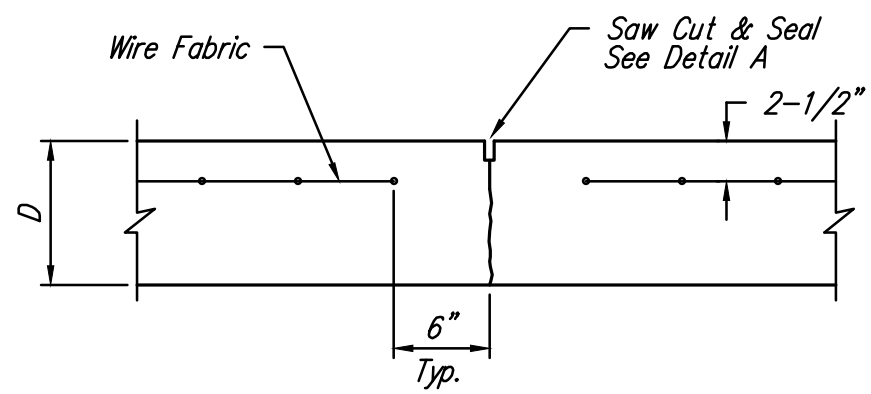


EXPANSION JOINT

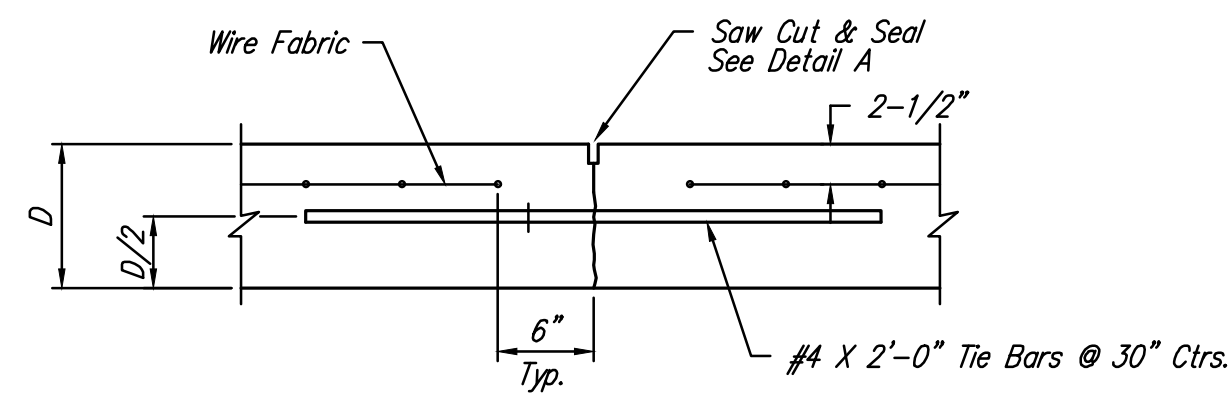
NOTE: Extra Thickness to be Subsidiary to Price of Square Yards Pavement



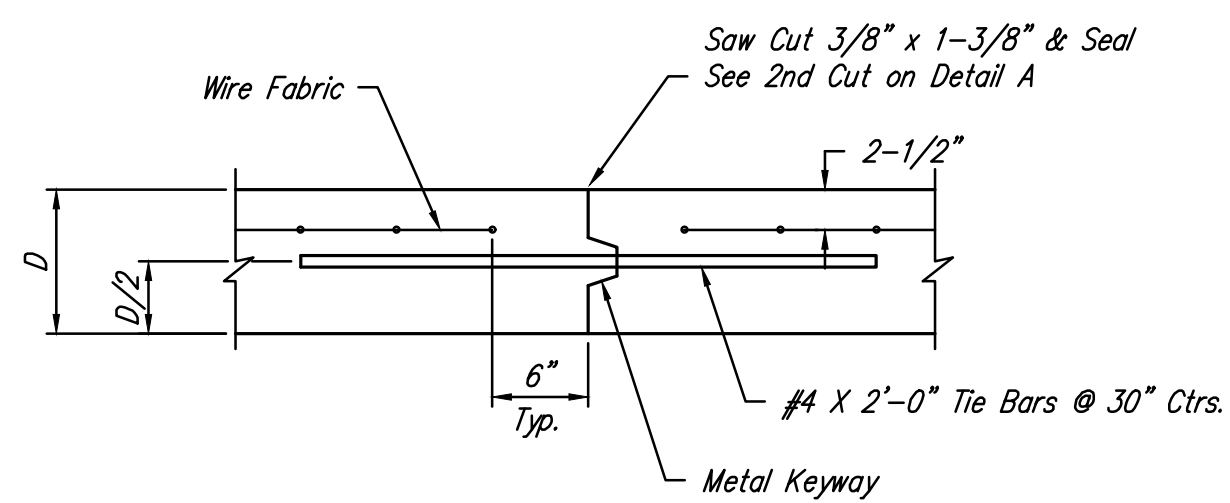
KEYWAY DETAIL



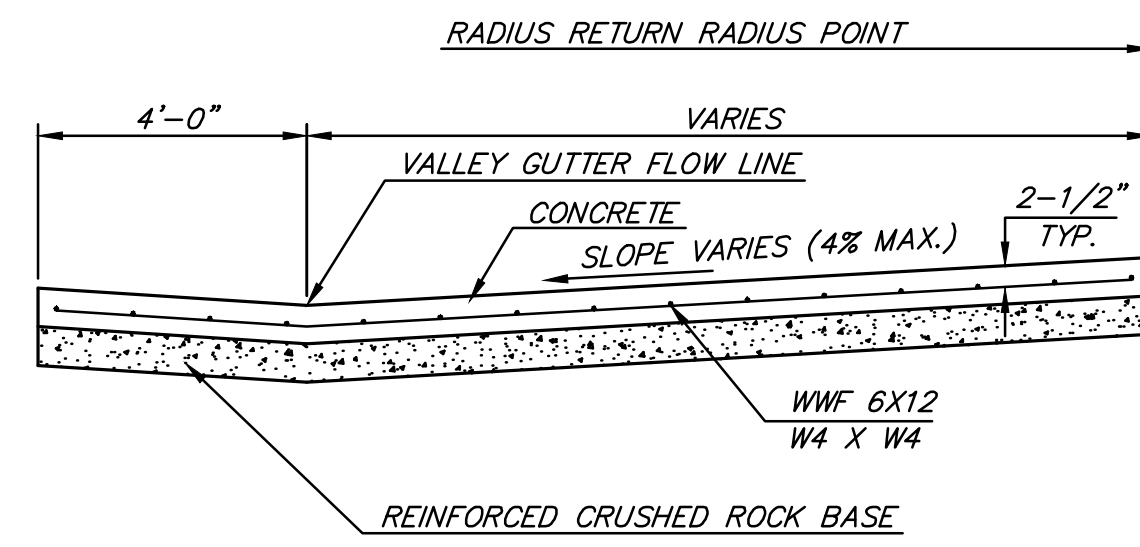
CONTRACTION JOINT DETAIL (C.J.)



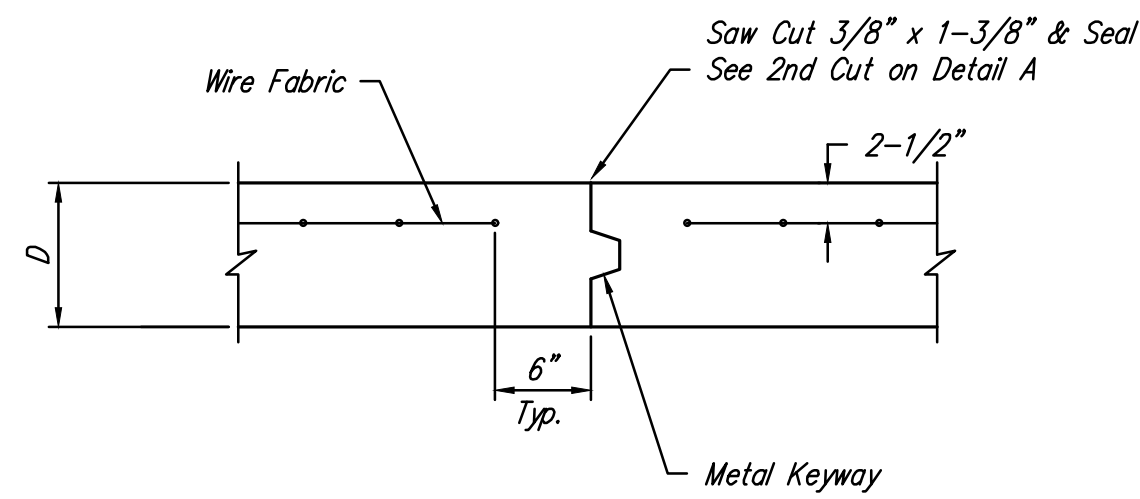
LONGITUDINAL JOINT DETAIL (L.J.)



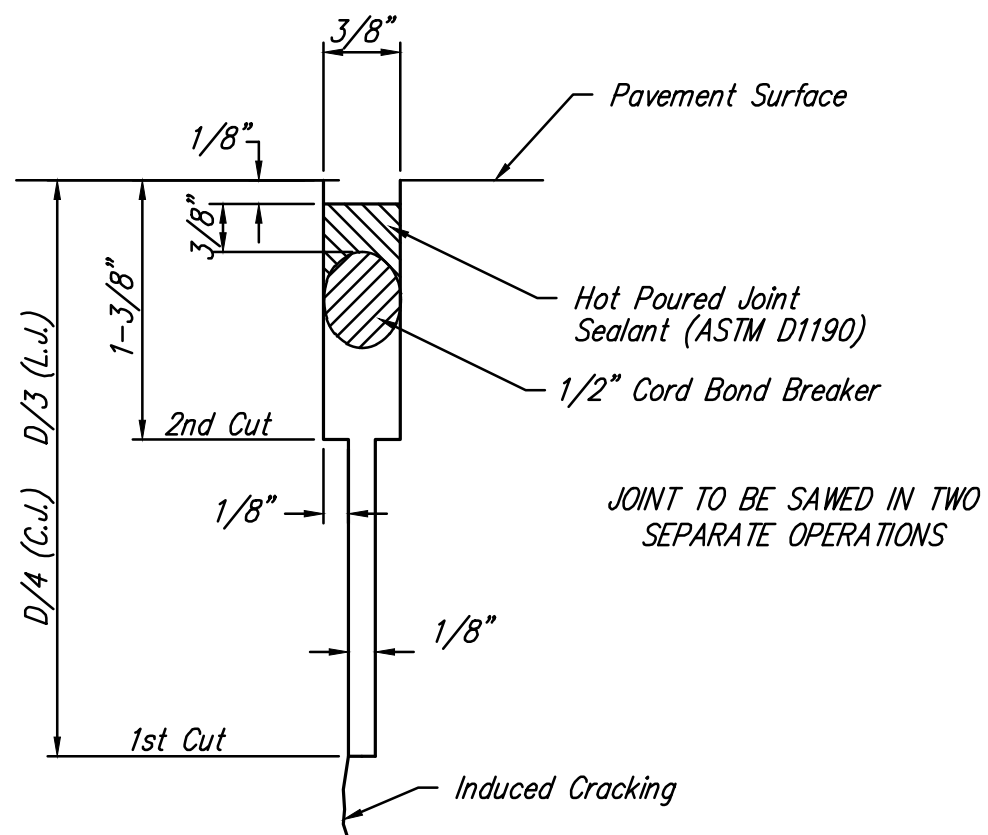
OPTIONAL LONGITUDINAL JOINT DETAIL (L.J.)



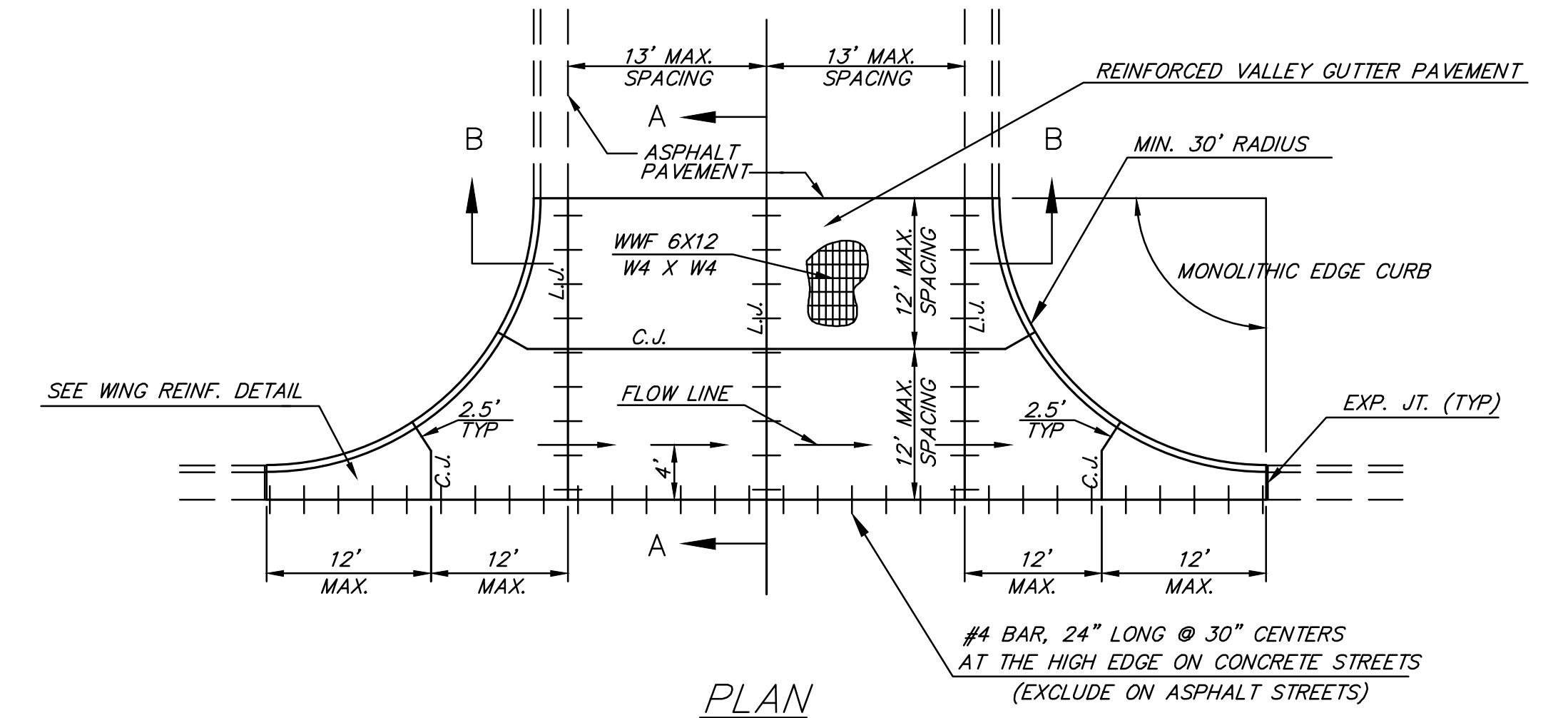
SECTION A-A



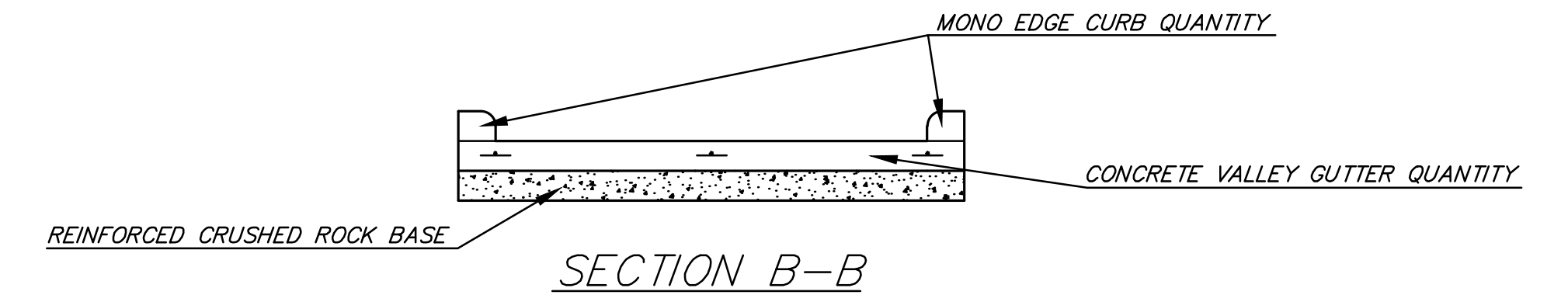
OPTIONAL CONTRACTION JOINT



SAW JOINT DETAIL (DETAIL A)

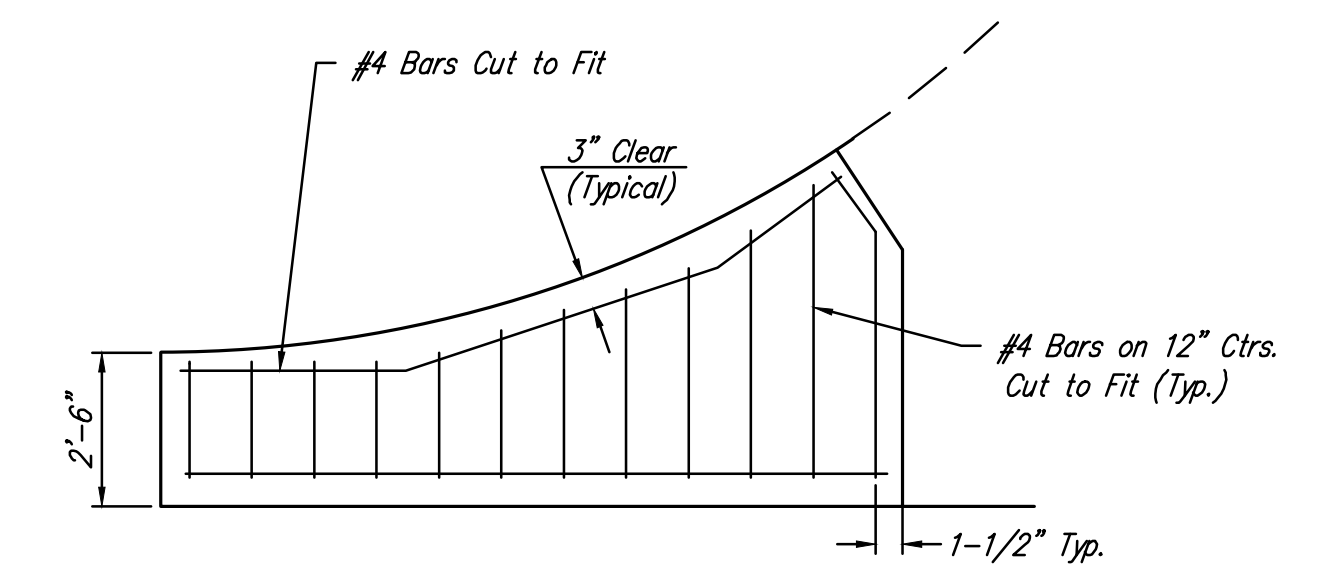


PLAN



SECTION B-B

REINFORCED VALLEY GUTTER DETAIL



WING REINFORCING DETAIL

REVISED: NOVEMBER 2015

 CITY OF WICHITA PUBLIC WORKS & UTILITIES ENGINEERING DIVISION	VALLEY GUTTER DETAILS		
	CITY ENGINEER GARY JANZEN, P.E.		
	PROJECT NUMBER 87 N-0660-01	OCA NUMBER 706987	DATE 8/19/2019
CITY ENGINEER'S OFFICE CITY HALL - SEVENTH FLOOR 455 NORTH MAIN STREET WICHITA, KANSAS 67202-1620 (316) 268-4501		SHEET 62 OF 198	