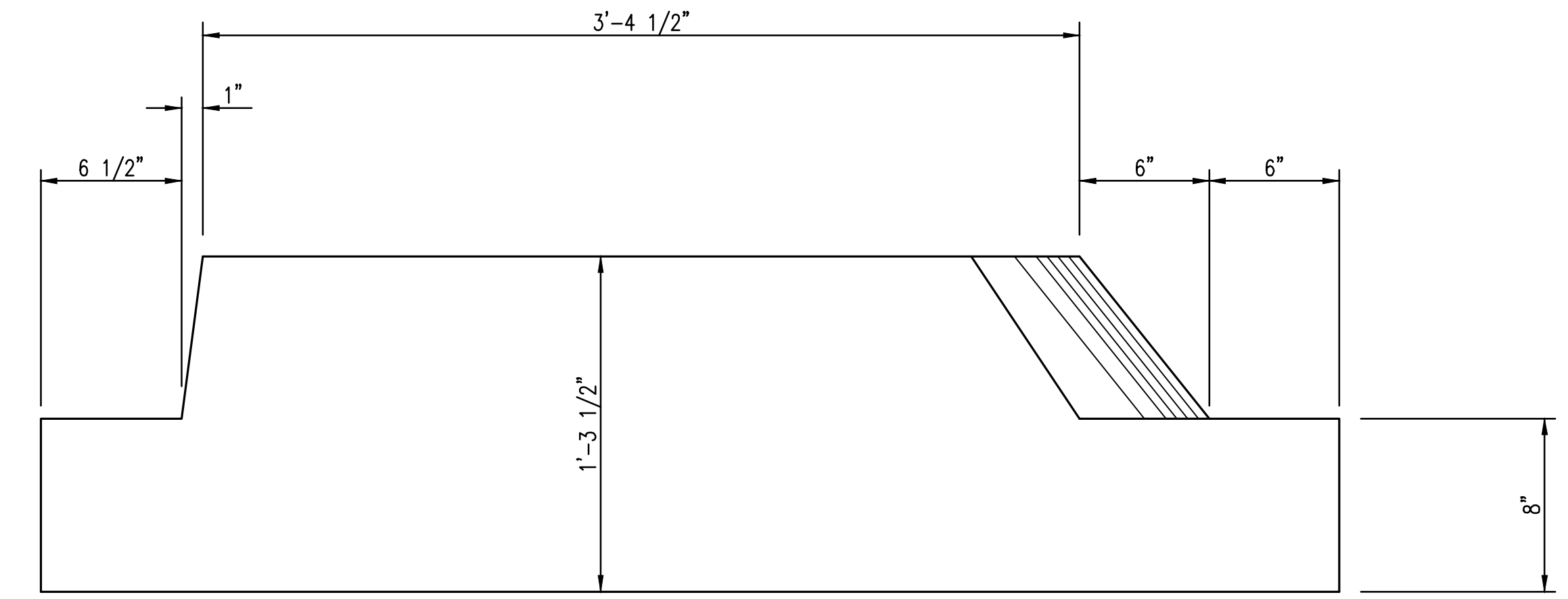
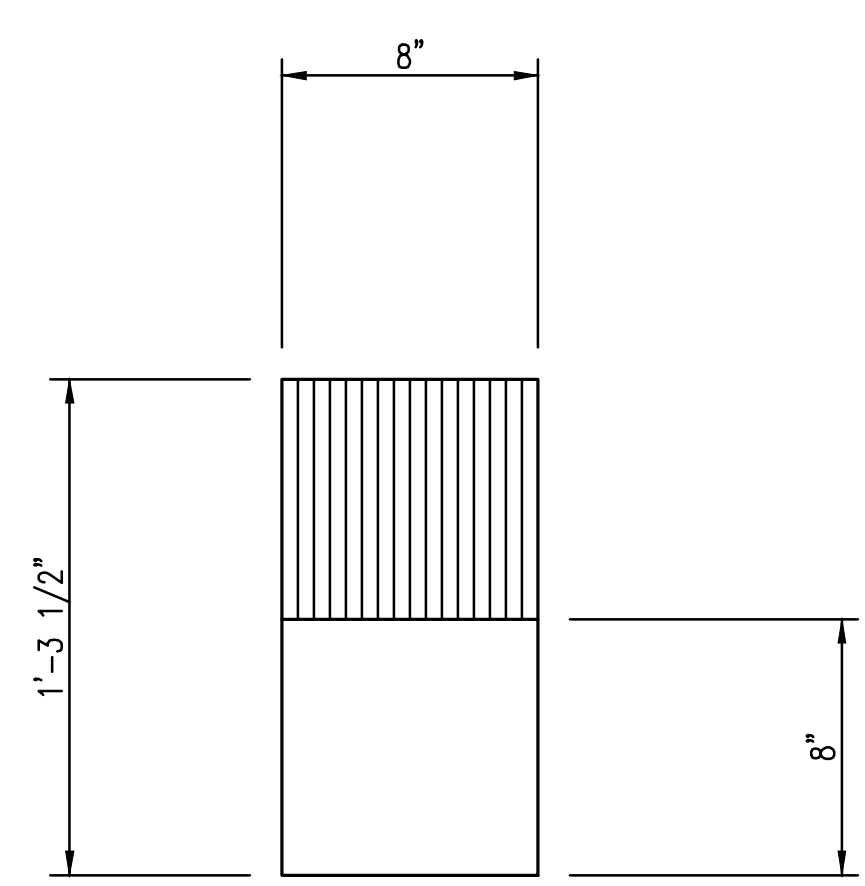
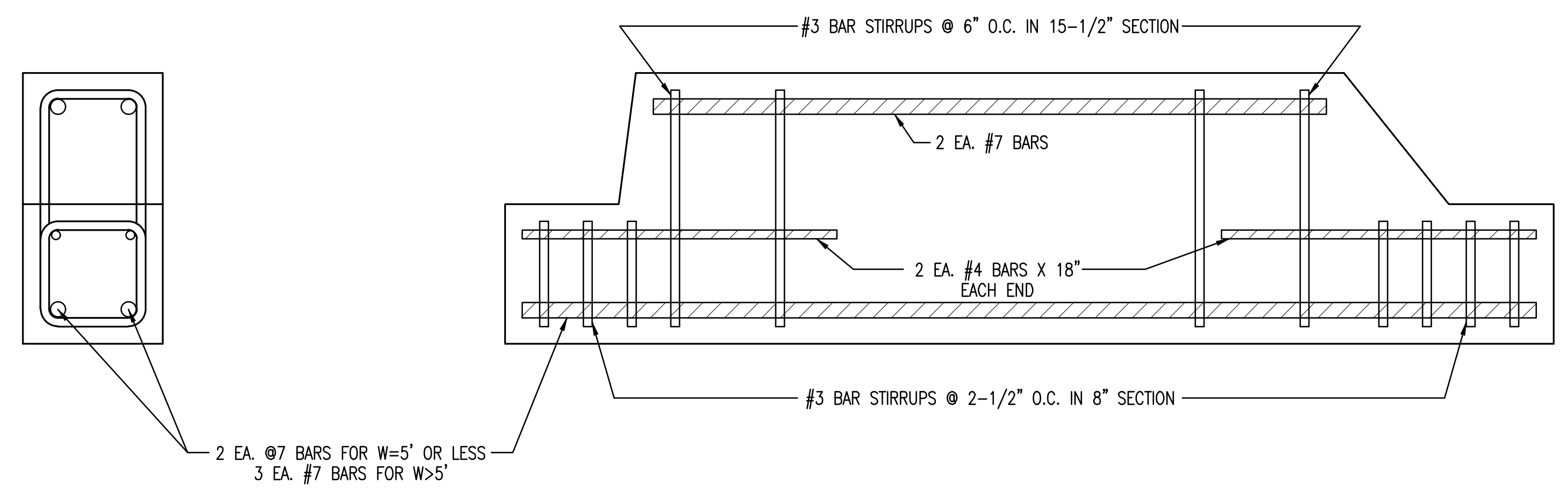


| | | | | |
|--------|--------------|------|-----------|--------------|
| STATE | PROJECT NO. | YEAR | SHEET NO. | TOTAL SHEETS |
| KANSAS | 87 N-0597-01 | 2019 | 77 | 198 |

PLOTTED: Friday, August 23, 2019 @ 04:00PM



J:\CIVIL\87\87\DWG\SW\87139-PD05.DWG



| | | |
|--|----------------------|---------------------------|
| INLET BEAM | | |
| CITY ENGINEER GARY L. JANZEN, P.E. | | |
| PROJECT NUMBER 87 N-0660-01 | OCA NUMBER 706987 | DATE 8/19/2019 |
| CITY ENGINEER'S OFFICE CITY HALL - SEVENTH FLOOR 455 NORTH MAIN STREET WICHITA, KANSAS 67202-1620 (316) 268-4501 | | SHEET 77 OF 198 |