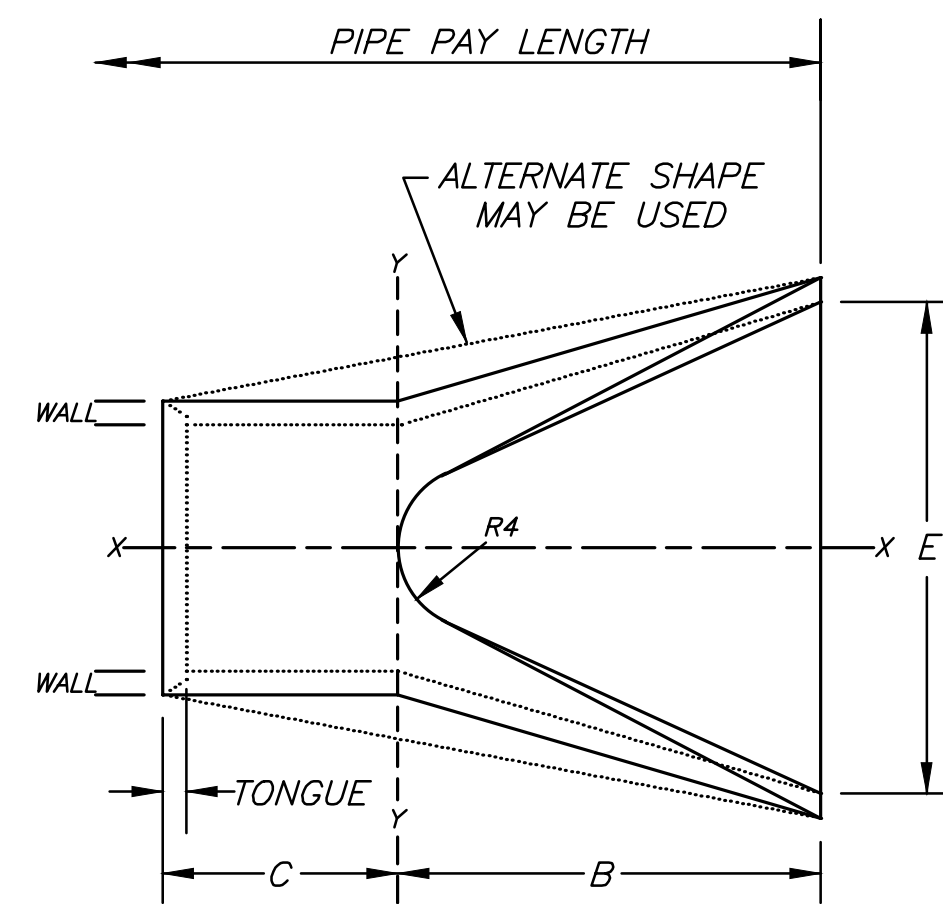
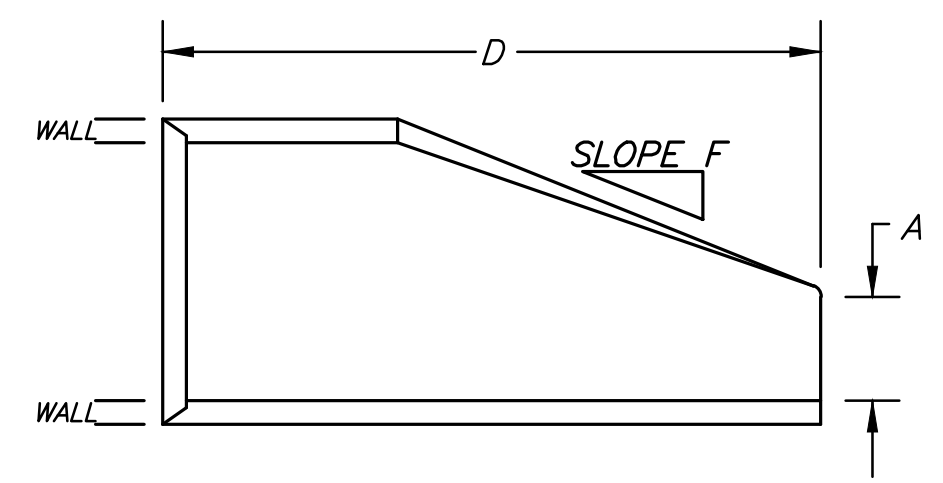


PIPE PLAN
ROUND PIPE



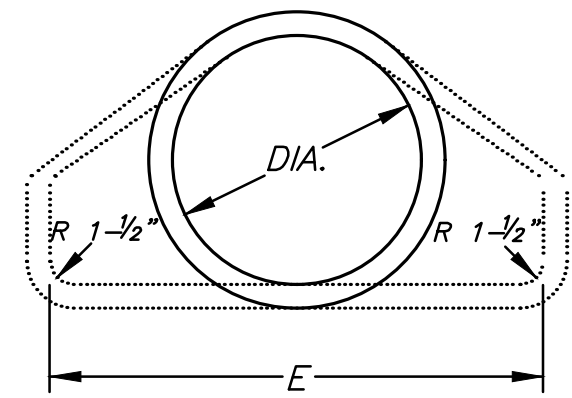
PIPE PLAN
ELLIPTICAL PIPE



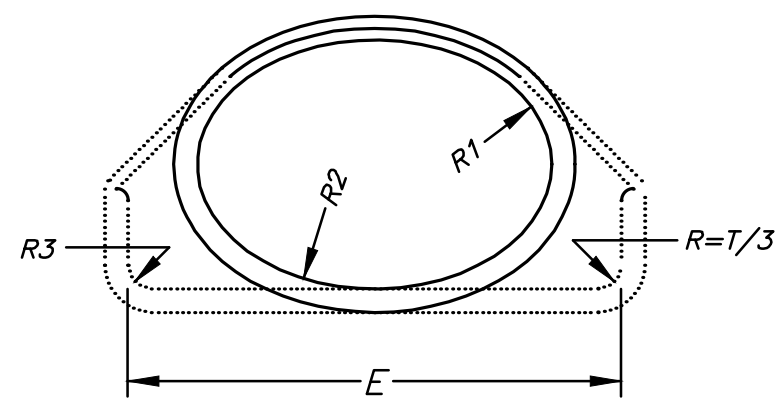
SECTION X-X

DIAM.	A	B	C	D
18"	9"	2'-3"	3'-10"	6'-1"
E	F	R1	TONGUE	WALL
3'-0"	3:1	12"	2-1/2"	2-1/2"

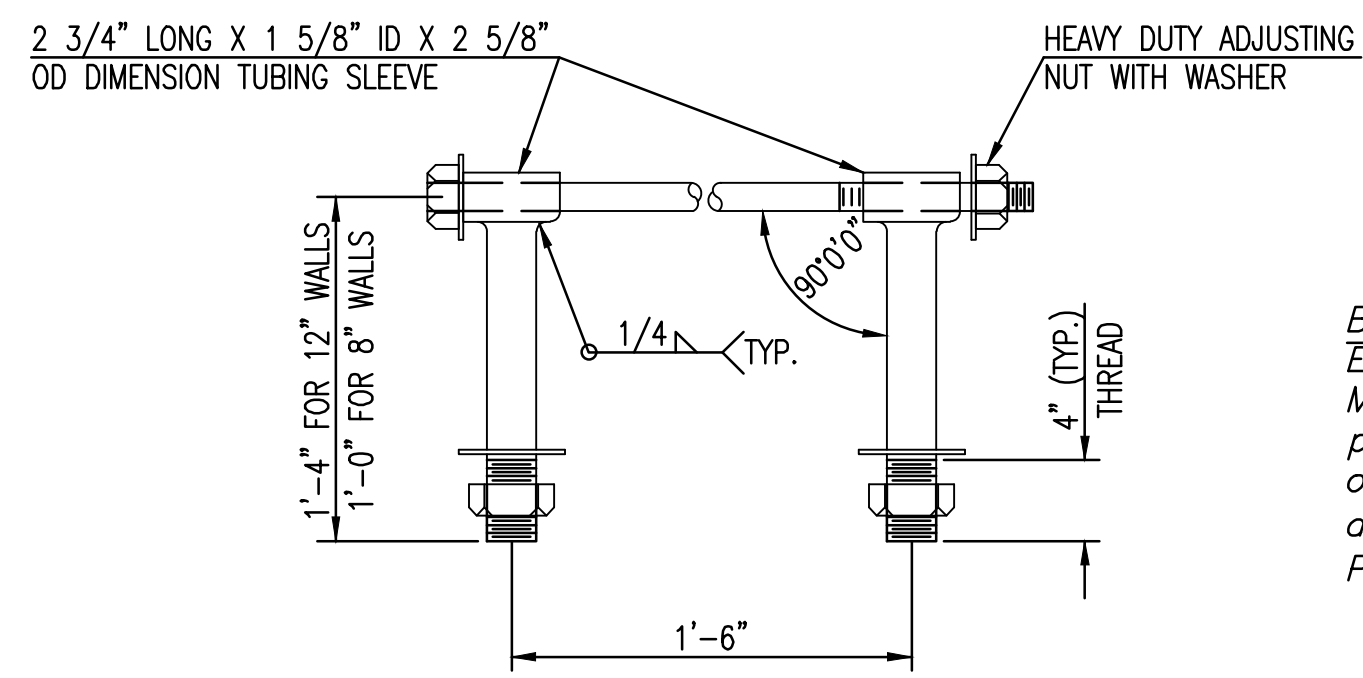
END SECTIONS ARE NOT PAID FOR SEPARATELY BUT ARE INCLUDED IN THE OVERALL PIPE LENGTH.



SECTION Y-Y
ROUND PIPE



SECTION Y-Y
ELLIPTICAL PIPE

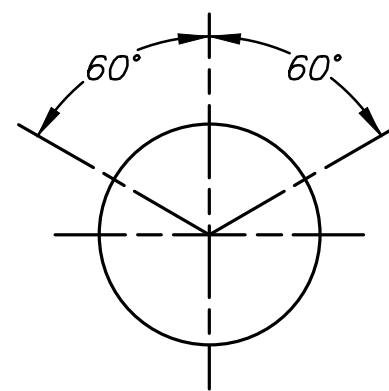


HEAVY DUTY (H.D.) COUPLER

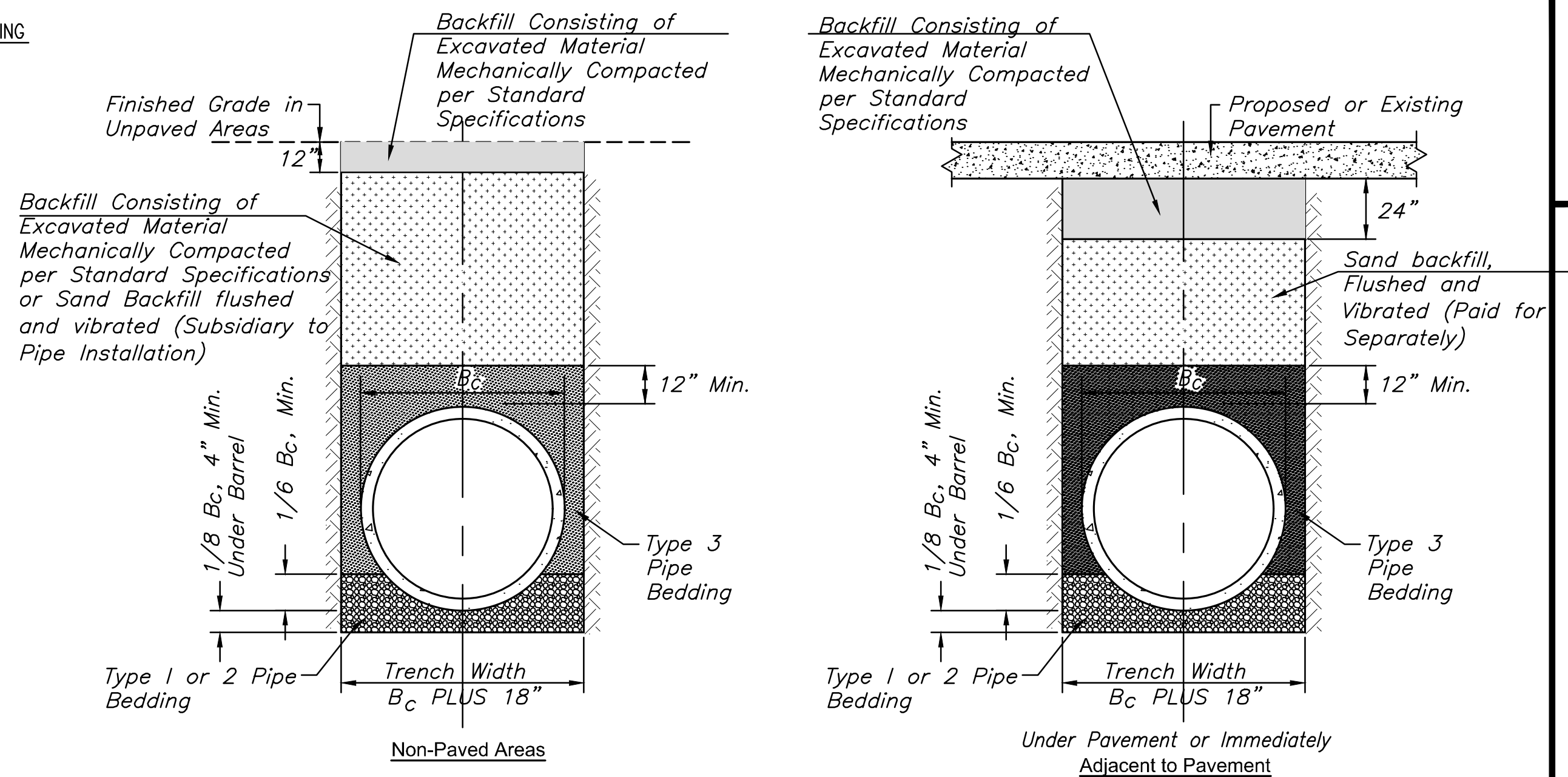
NO SCALE

NOTES

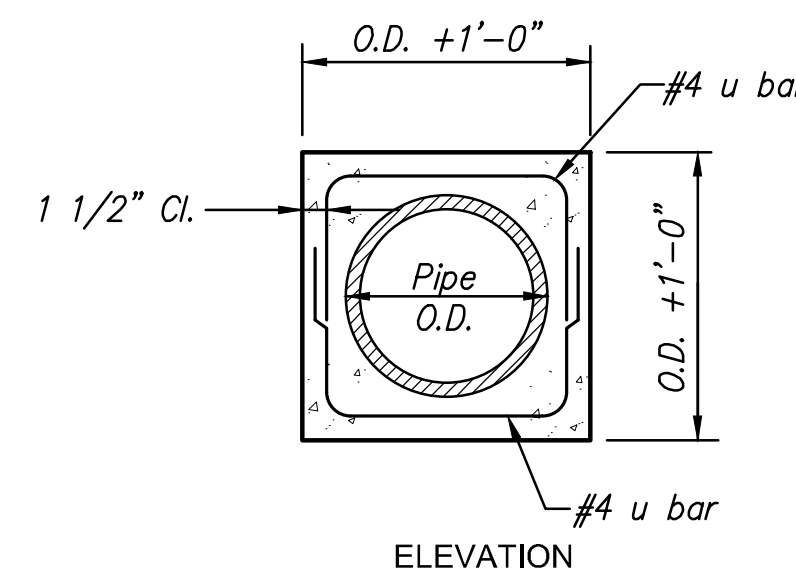
- BOLTS TO BE A-36 1 1/2" DIAMETER.
- BOLTS, NUTS, WASHERS AND SLEEVES TO BE ZINC PLATED.
- WASHERS TO BE 3 1/2" O.D. X 7 GAUGE.
- SHIP WITH NUTS AND WASHERS PLACED ON BOLTS.
- INSTALL PIPE COUPLER AT ALL STORM SEWER PIPE OUTFALLS. COUPLE A MINIMUM OF THREE JOINTS FROM THE END OF THE LINE.
- TIES ARE SUBSIDIARY TO STORM SEWER INSTALLATIONS.



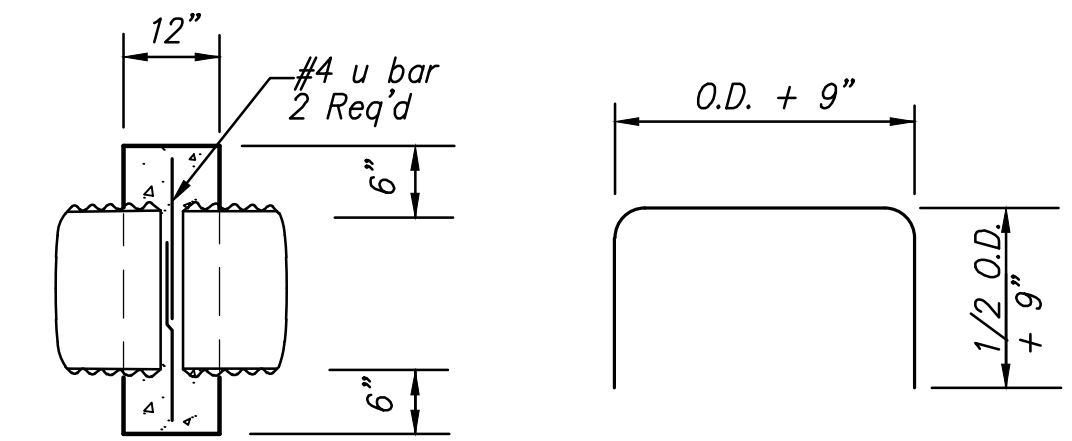
ROUND AND ELLIPTICAL PIPE



STORM SEWER TRENCH DETAILS



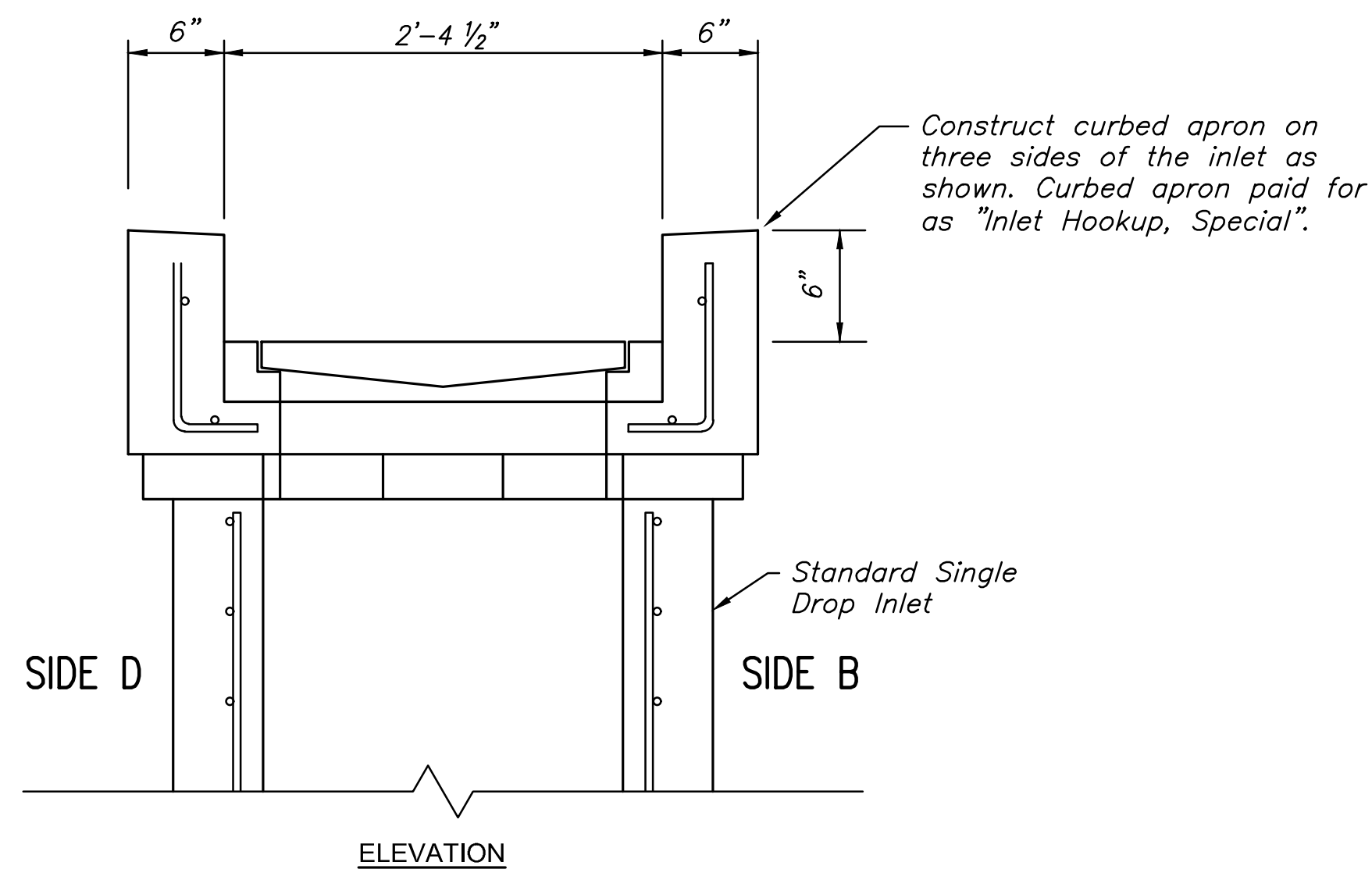
ELEVATION



BENDING DIAGRAM

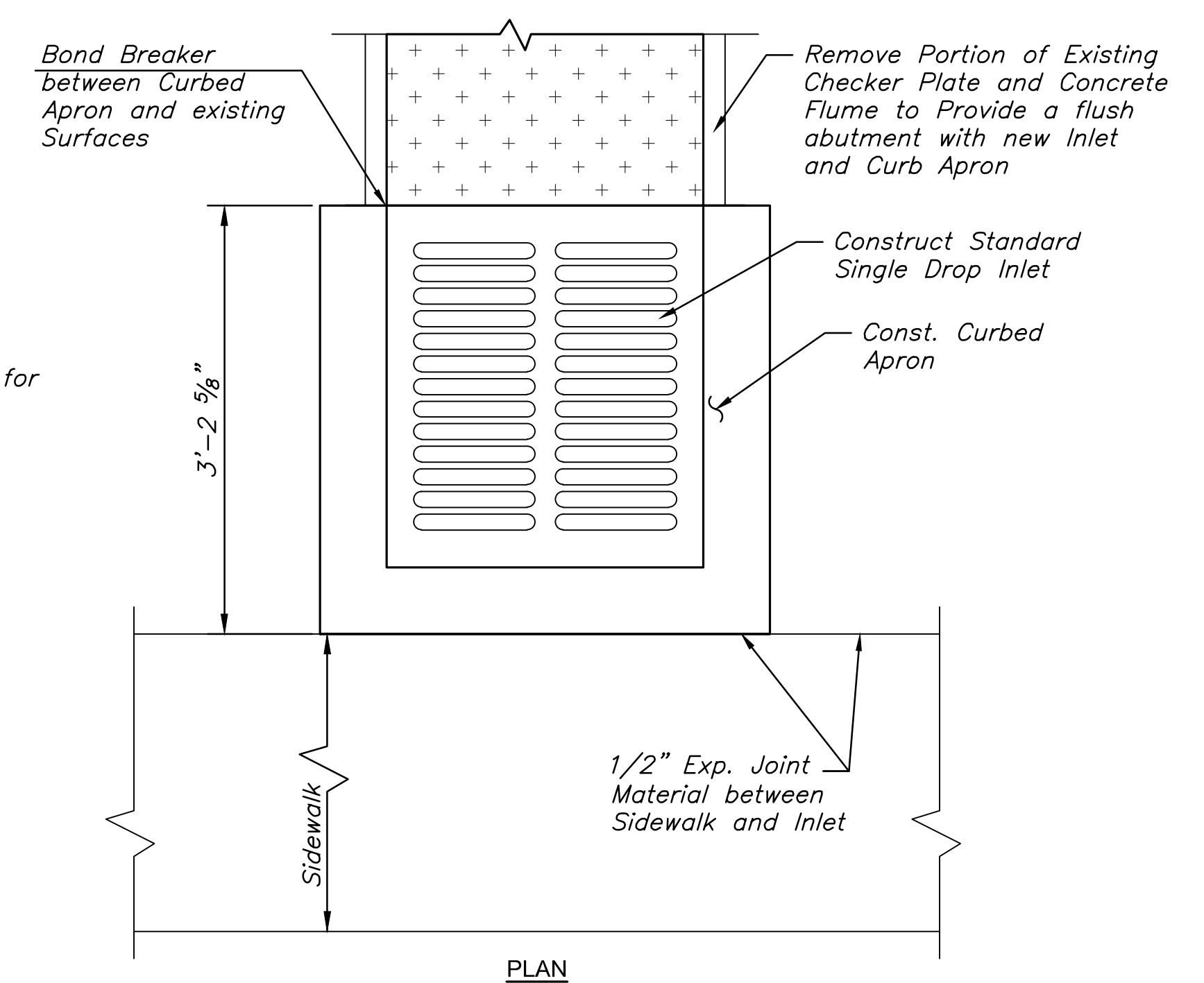
All dimensions are out-to-out of bars

COLLAR DETAIL



ELEVATION

INLET HOOKUP, SPECIAL



PLAN

©2019 MKEC Engineering All Rights Reserved www.mkec.com
These drawings and their contents, including, but not limited to, all concepts, designs, & ideas are the exclusive property of MKEC Engineering (MKEC), and may not be used or reproduced in any way without the express consent of MKEC.

MISC. STORM SEWER DETAILS

PROJECT NO.	87 N-0660-01	
DATE	8/19/2019	
SCALE	NTS	
DESIGNED	DRAWN	CHECKED
JRA	RAM	JRA

NO.	REVISION	DATE

SHEET NO.