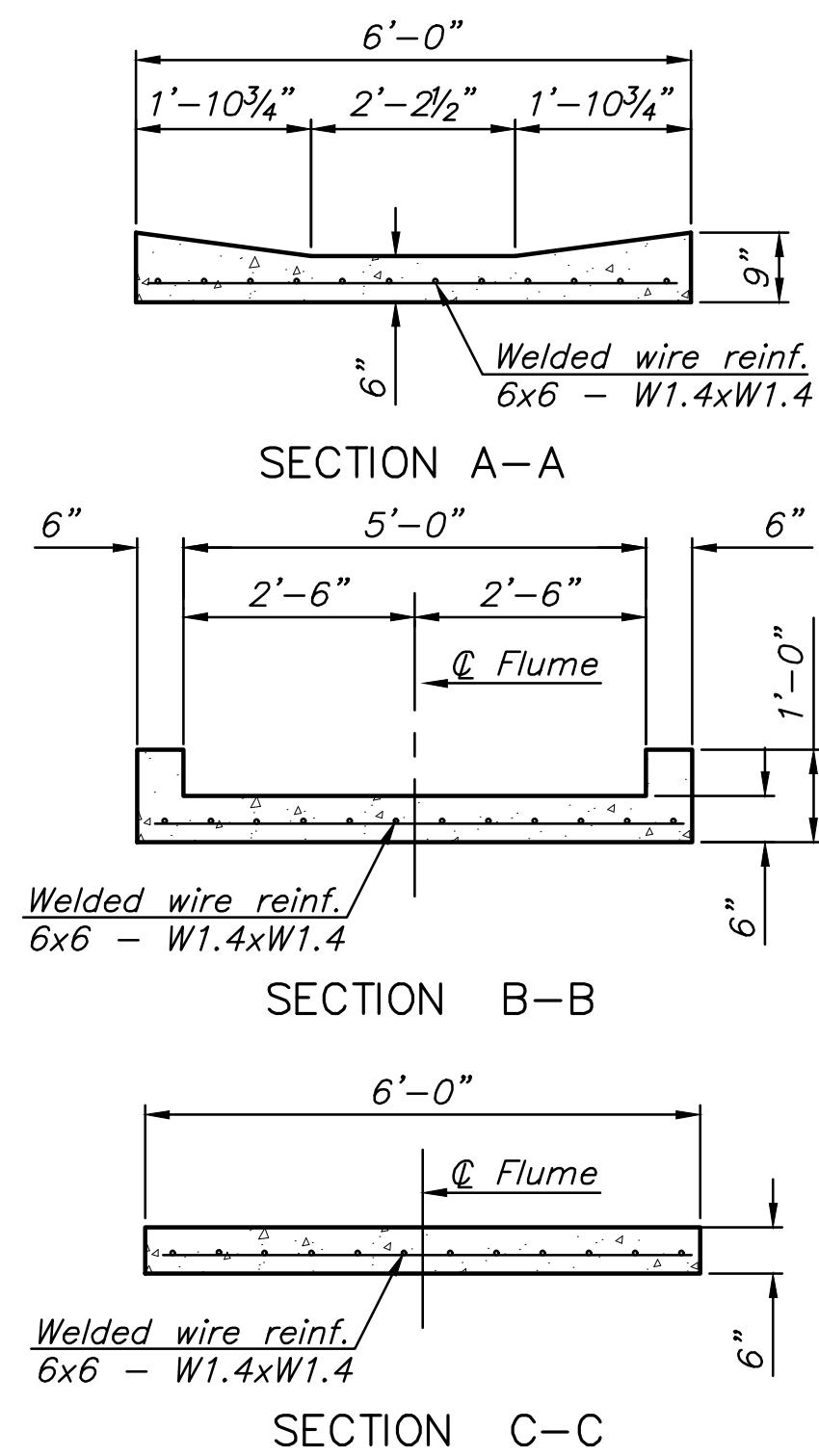
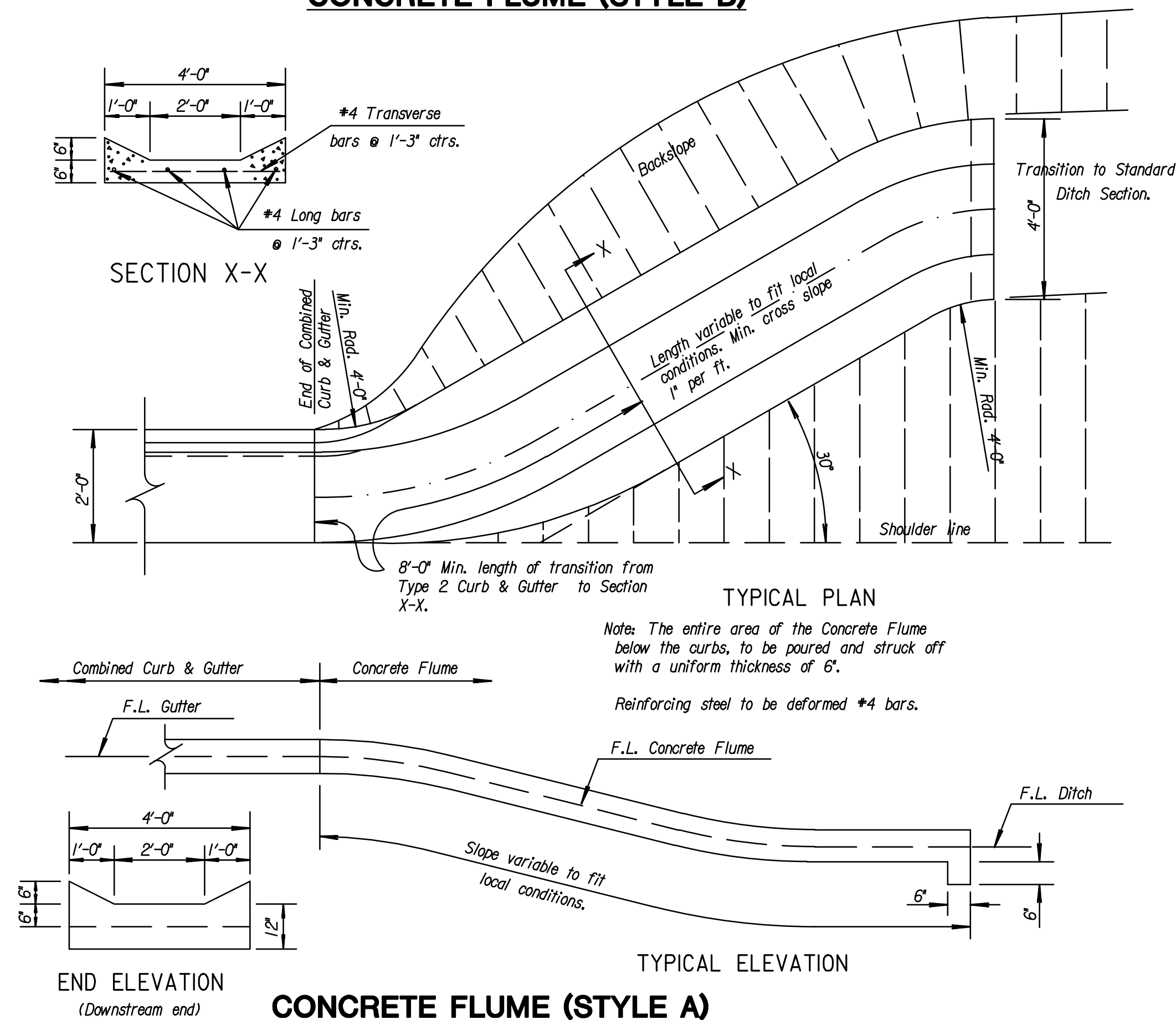


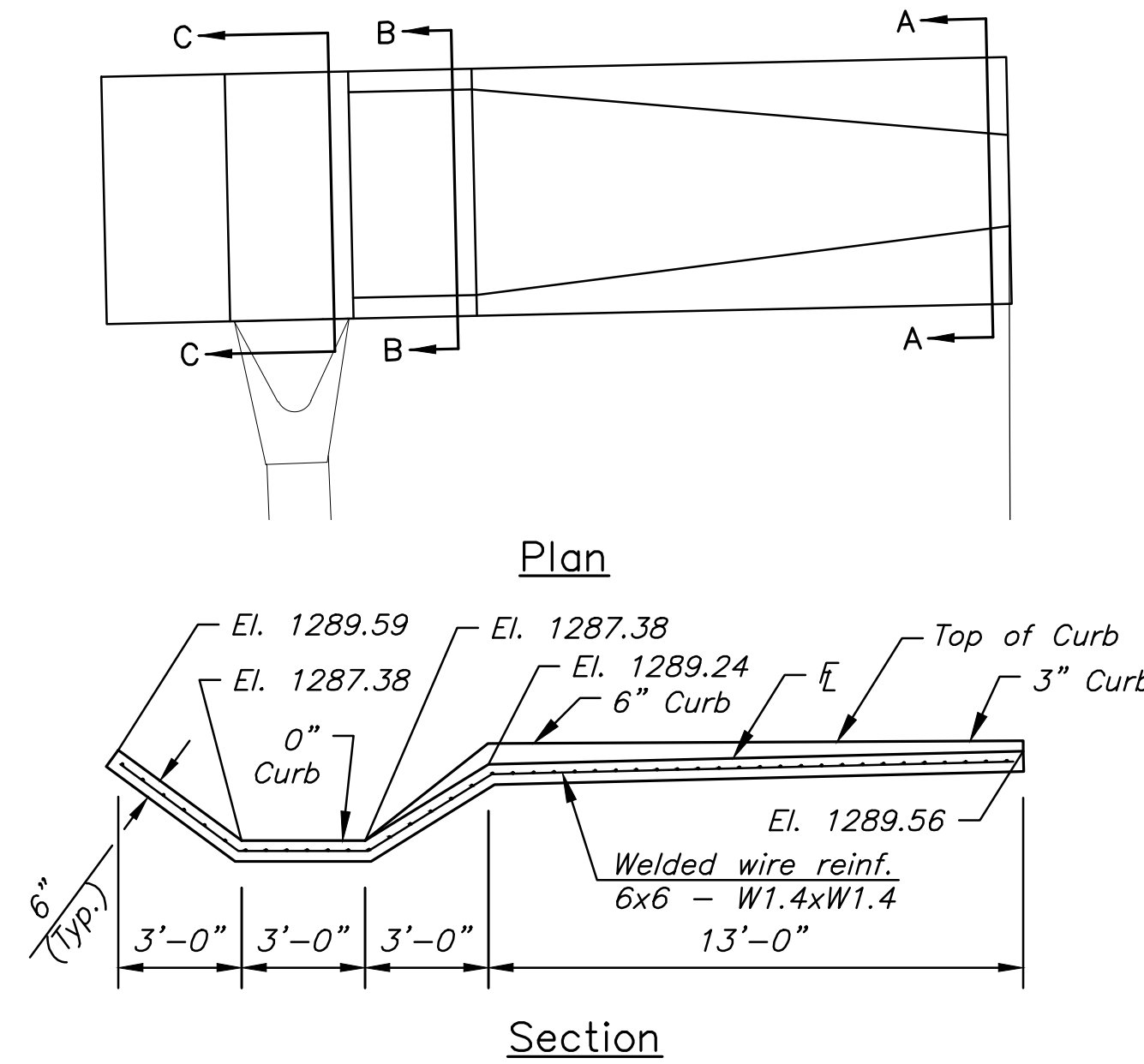
CONCRETE FLUME SUMMARY			
STATION	SIDE	LIN. FT.	STYLE
Mt. Vernon			
65+60.36	LT.	22.0	B
91+57.86	LT.	28.4	A
TOTAL		50.4	



CONCRETE FLUME (STYLE B)



CONCRETE FLUME (STYLE A)



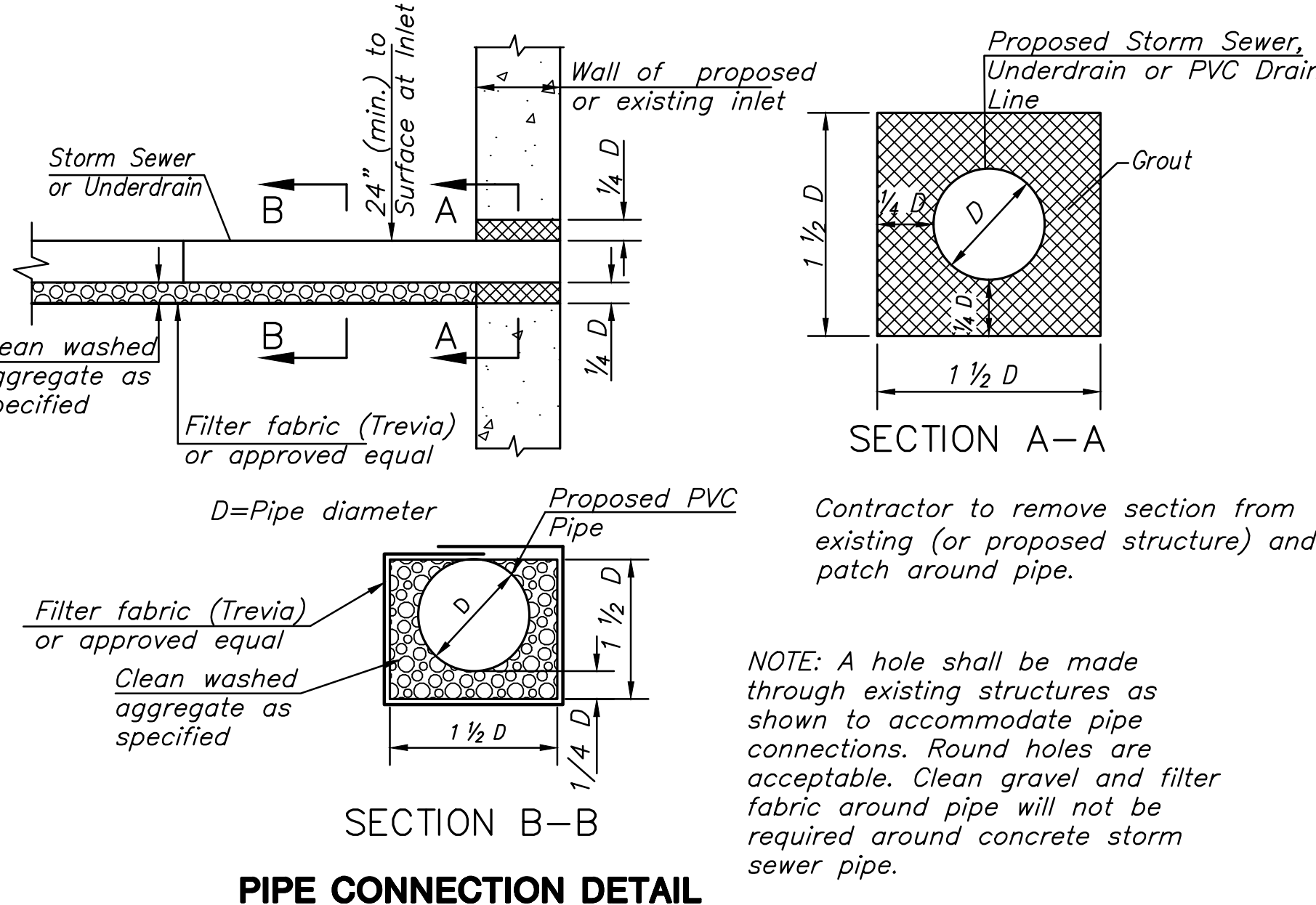
TYPICAL UTILITY BOX-OUT DETAILS

Note: Contractor shall construct box-outs around all surface utility fixtures, as shown, when fixtures fall on or near concrete joints, or as directed by the Engineer. All other fixtures shall have an isolation joint or bond breaker between them and concrete pavement. Cost shall be subsidiary.

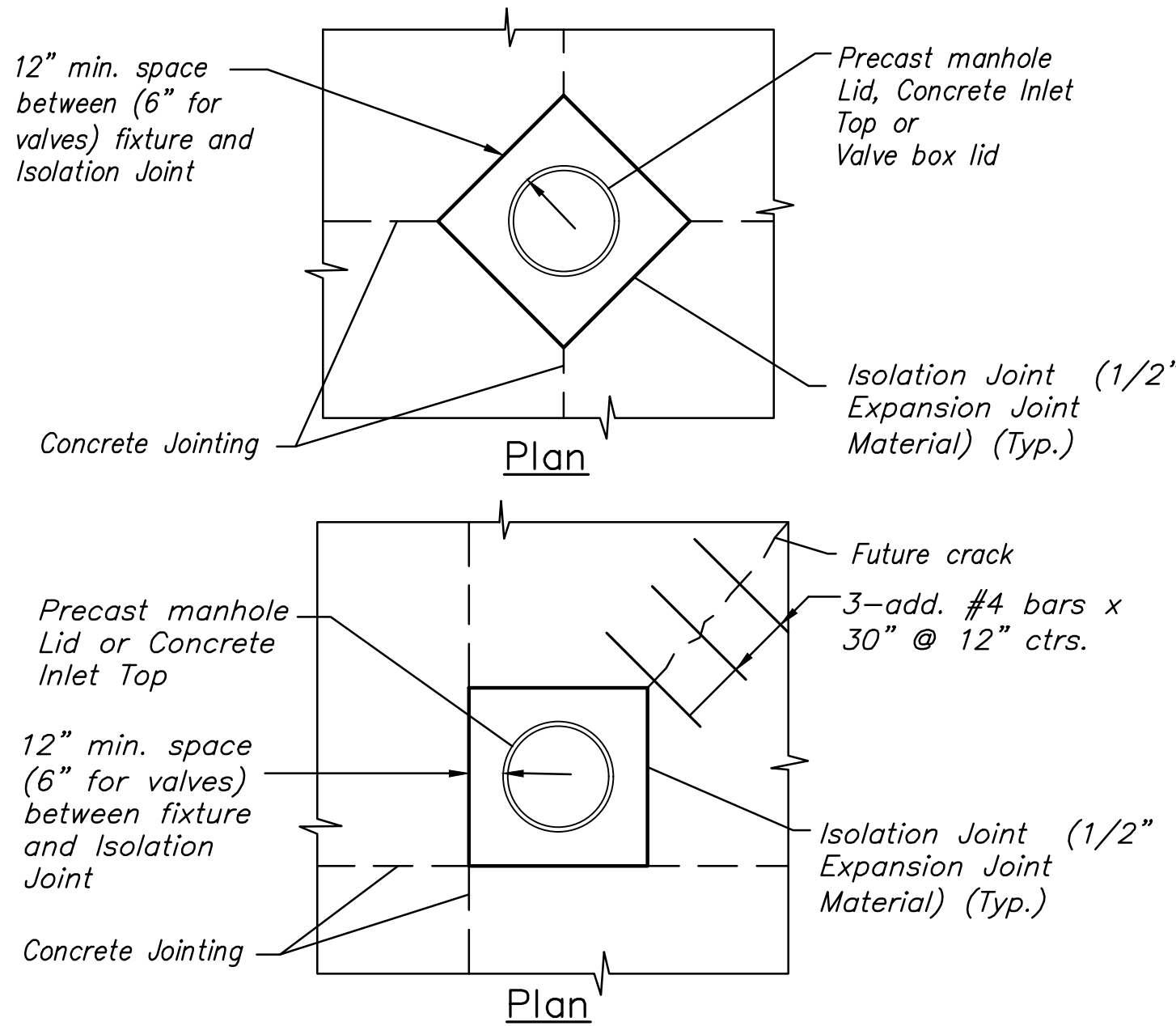
PIPE PLUGGING DETAIL (SWS OR AC WATER ONLY)

Note: Pipe Plugs Shall Be Constructed Of Brick Masonry, With Construction Requirements And Materials Conforming To The Same Requirements As Specified For A Masonry Construction In The Std. Specs. Pipes Having Diameters Of 18" Or Smaller Shall Be Plugged With 8" Thick Plug. Pipes Having Diameters Larger Than 18" Shall Be Plugged With 12" Thick Plug. The Construction Of Pipe Plugs Shall Not Be Paid For Directly, But Shall Be Considered Subsidiary To Pipe Removal.

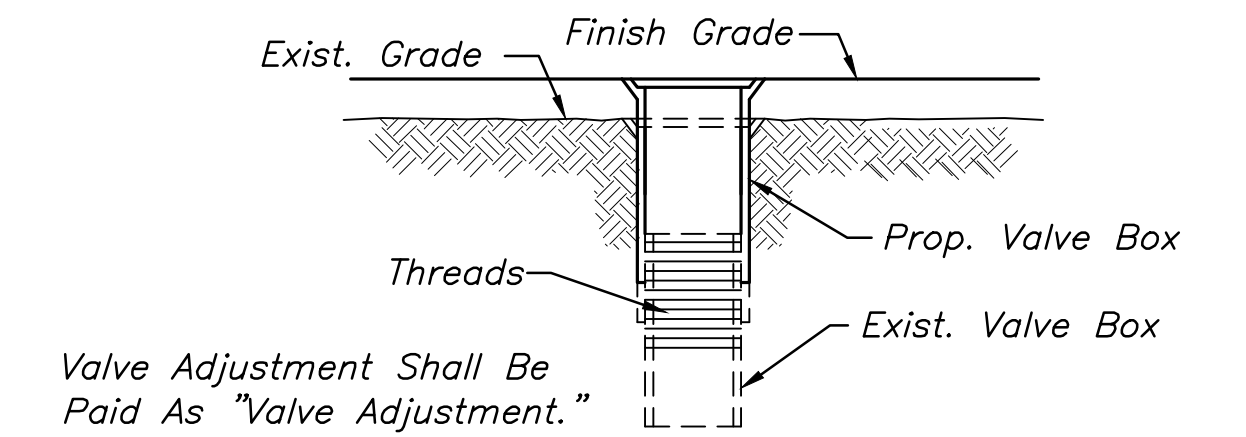
The Contractor May Use Other Methods To Plug Existing Pipe If Approved By The Project Engineer.



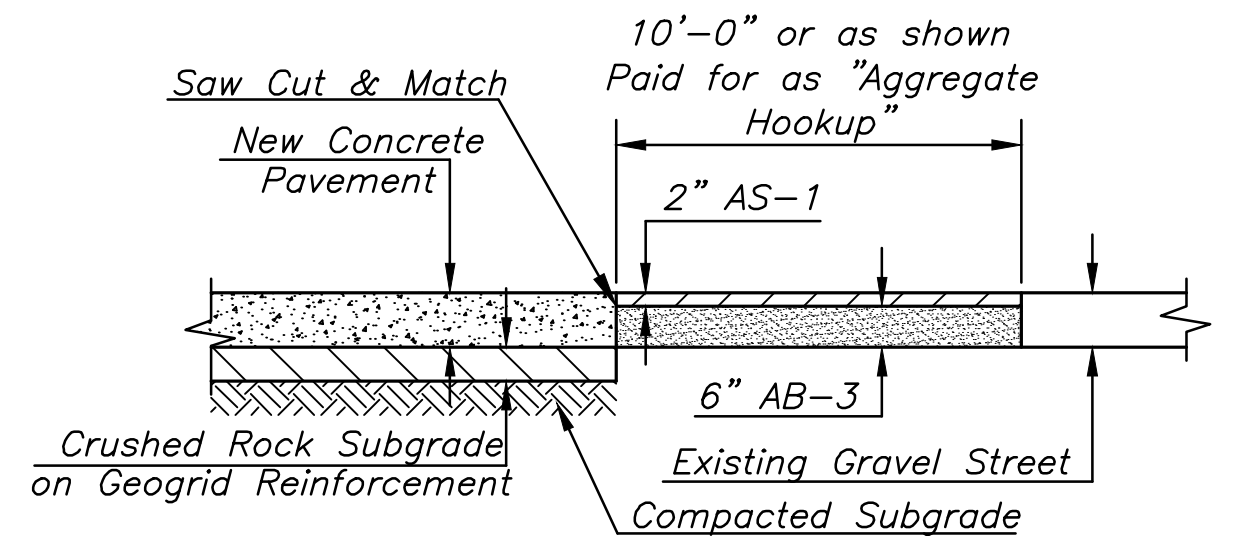
PIPE CONNECTION DETAIL



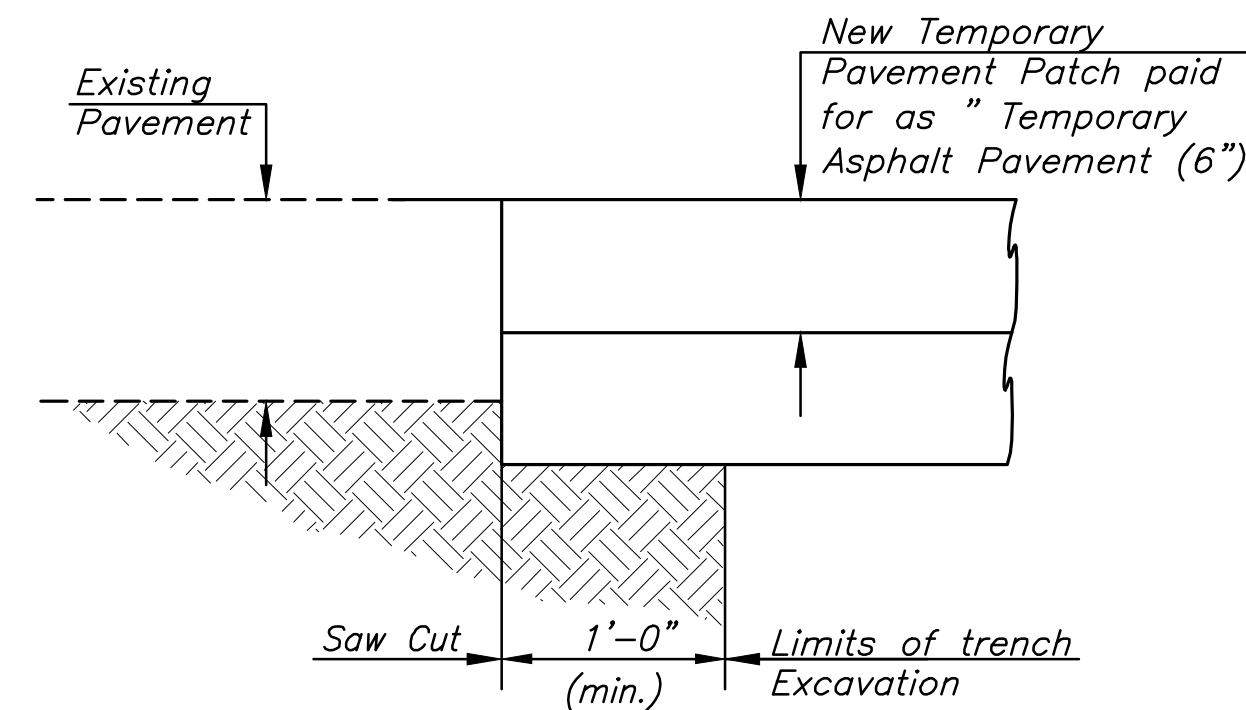
TYPICAL UTILITY BOX-OUT DETAILS



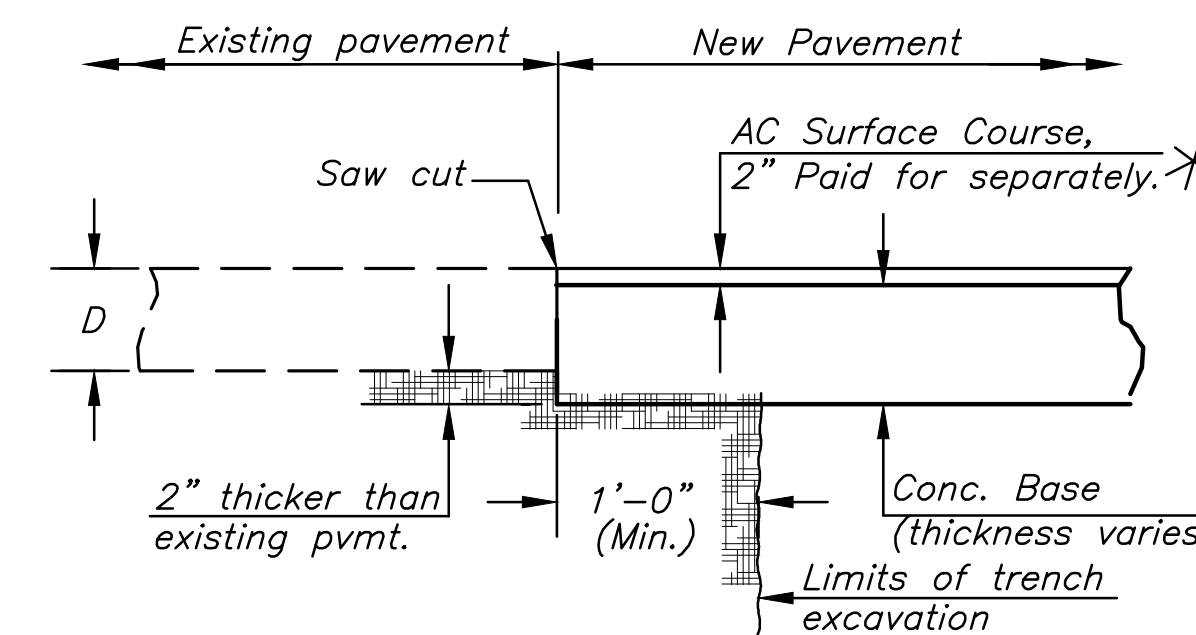
WATER VALVE BOX ADJUSTMENT DETAIL



AGGREGATE HOOKUP DETAIL



TEMPORARY PAVEMENT PATCH



PERMANENT PAVEMENT PATCH DETAIL

* For concrete pavements, entire patch shall be concrete at 2" thicker than existing pavement and patch shall be tied to existing concrete with #5 bars x 36" spaced 30" apart drilled and grouted into the existing pavement. For all patches, concrete shall be paid for as "Concrete Pavement Removed and Replaced."

©2019 MKEC Engineering All Rights Reserved www.mkec.com
These drawings and their contents, including, but not limited to, all concepts, designs, & lists are the exclusive property of MKEC Engineering (MKEC), and may not be used or reproduced in any way without the express consent of MKEC.

MISCELLANEOUS DETAILS

PROJECT NO. 87 N-0660-01

DATE 8/19/2019

SCALE NO SCALE

DESIGNED DRAWN CHECKED
JRA RAM JRA

NO. REVISION DATE

SHEET NO.