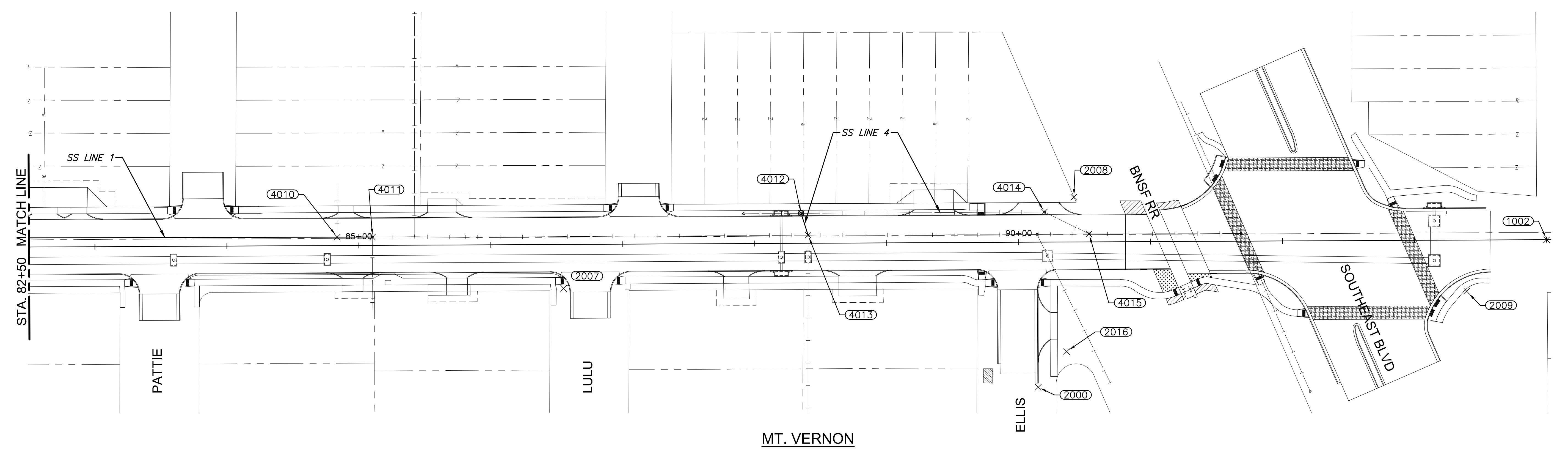
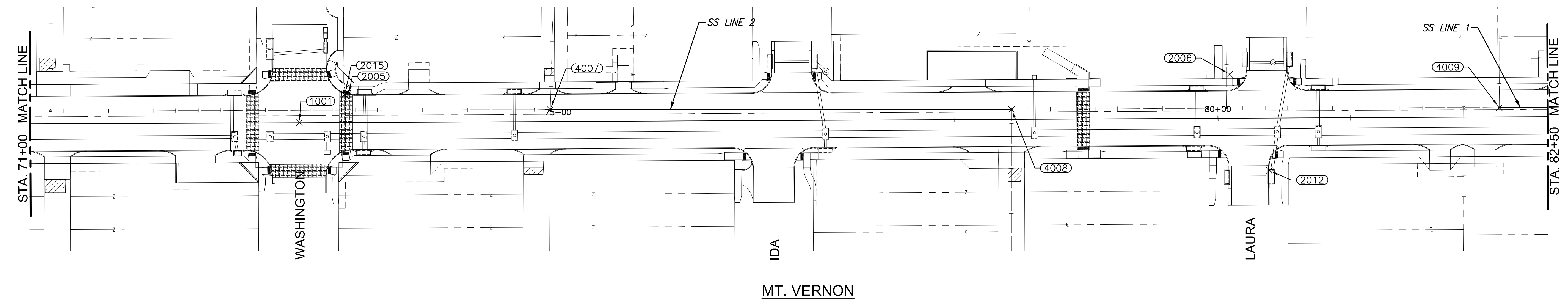


PLOTED: Friday, August 23, 2019 @ 04:51PM

J:\CIVIL\8139\DWGS\SAN\8139-8801.DWG

STATE	PROJECT NO.	YEAR	SHEET NO.	TOTAL SHEETS
KANSAS	87 N-0660-01	2019	92	198



STREET IMPROVEMENTS FOR
MT. VERNON IMPROVEMENTS
 BROADWAY TO SOUTHEAST BLVD.

©2019 MKEC Engineering All Rights Reserved www.mkec.com
 These drawings and their contents, including, but not limited to, all concepts, designs, & ideas are the exclusive property of MKEC Engineering (MKEC), and may not be used or reproduced in any way without the express consent of MKEC.

SANITARY SEWER BUBBLE MAP

PROJECT NO.	87 N-0660-01	
DATE	8/19/2019	
SCALE	1"=40'	
DESIGNED	DRAWN	CHECKED
JRA	WNJ	JRA

NO.	REVISION	DATE

SHEET NO.
 92 OF 198