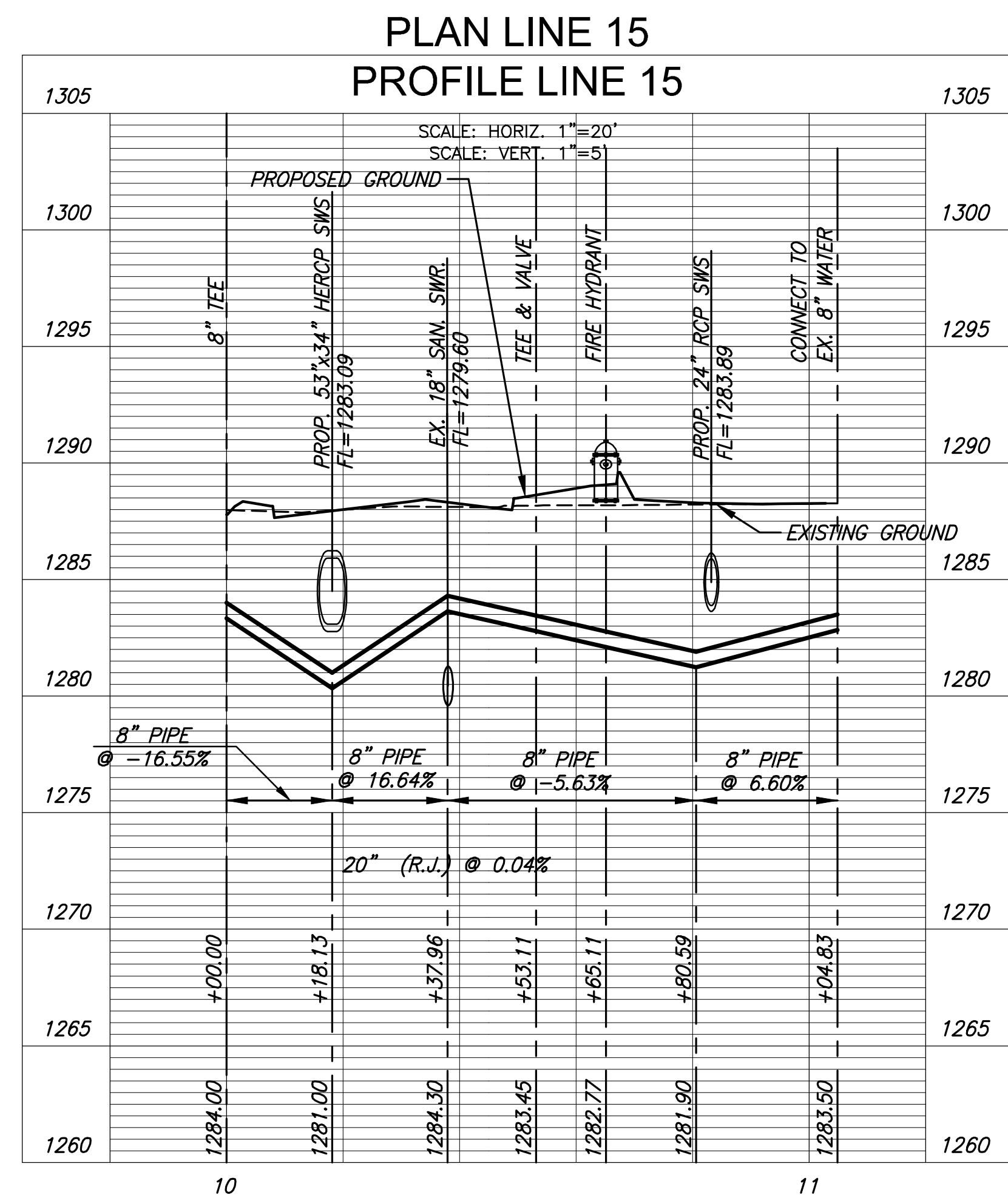
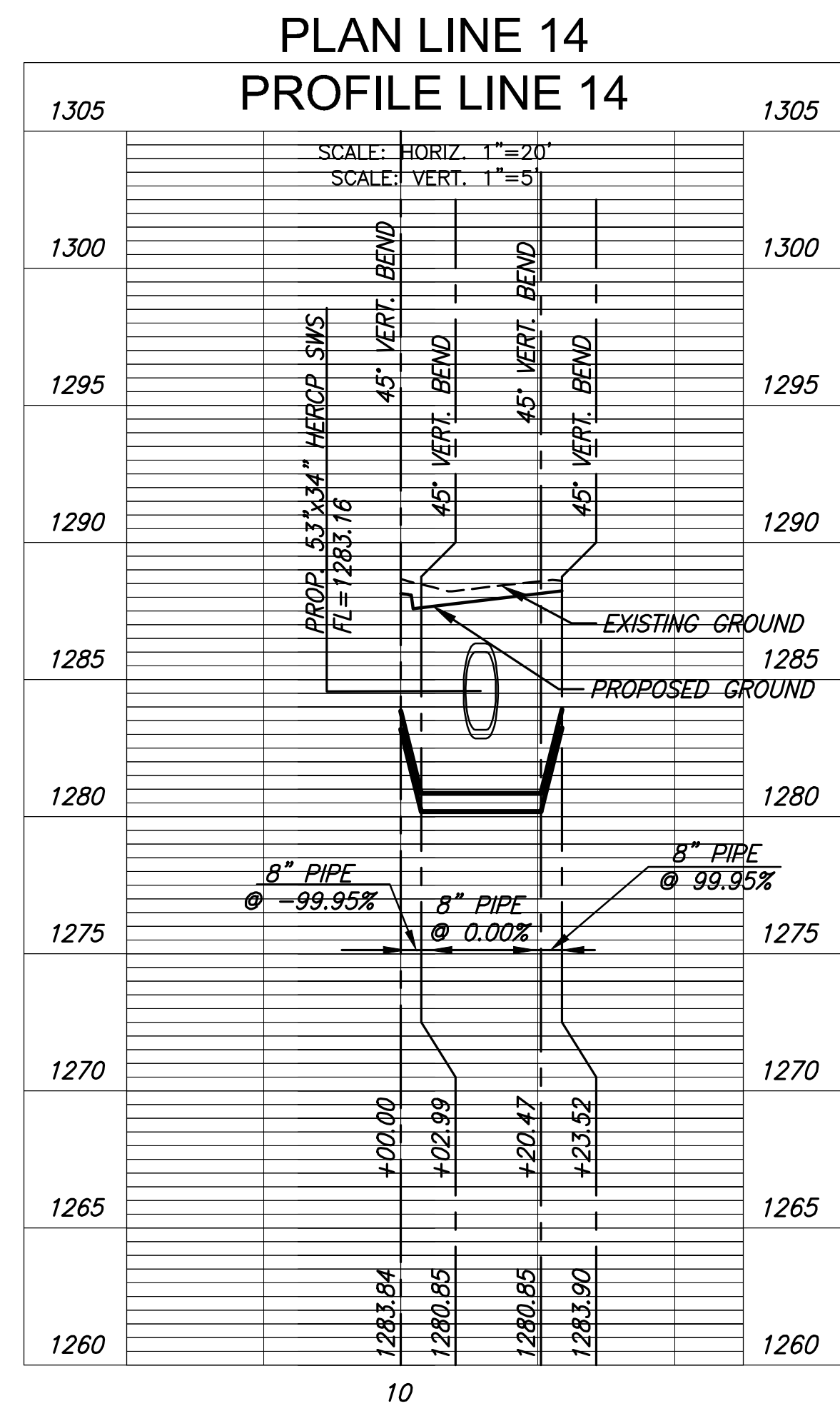
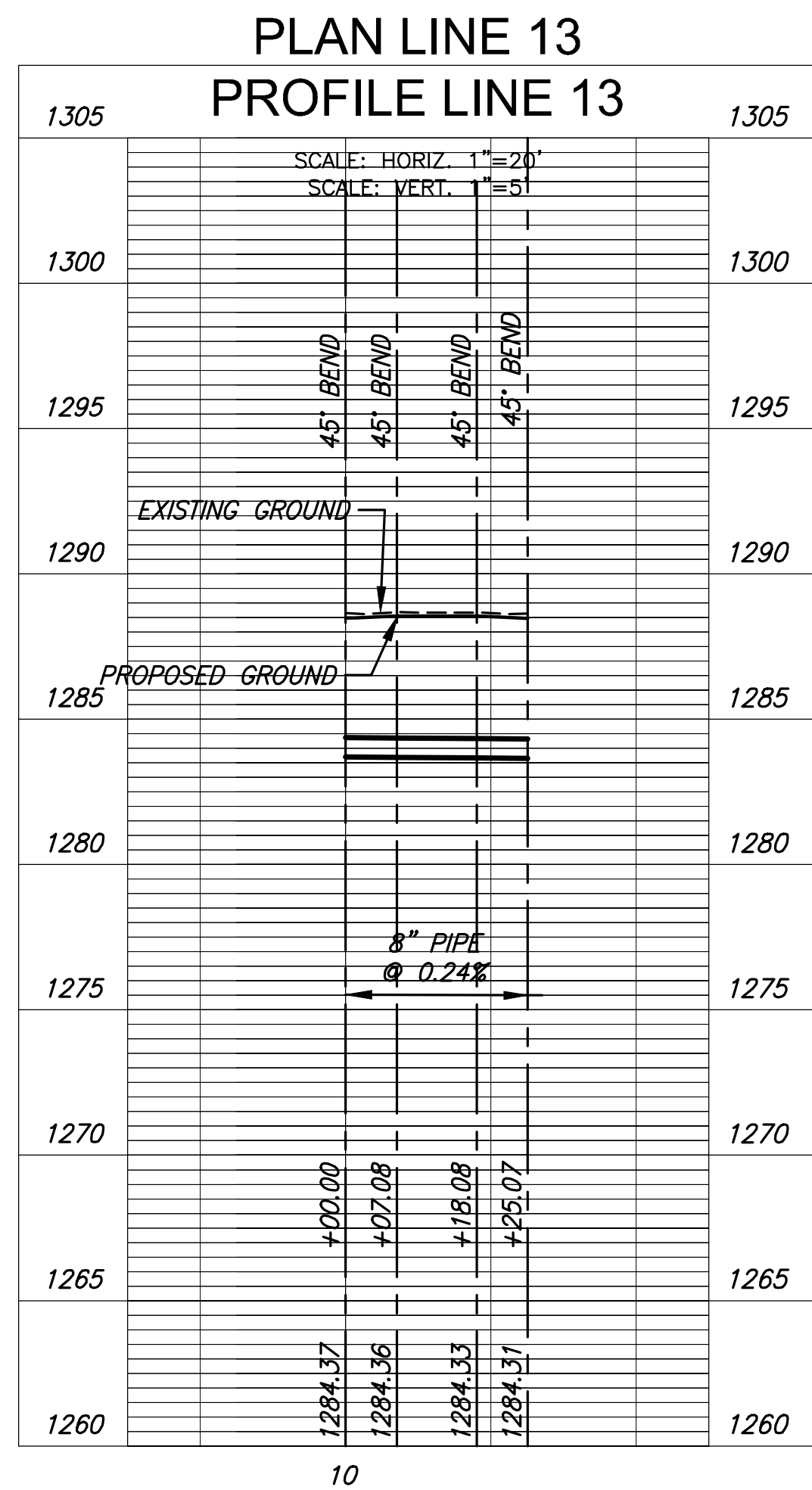
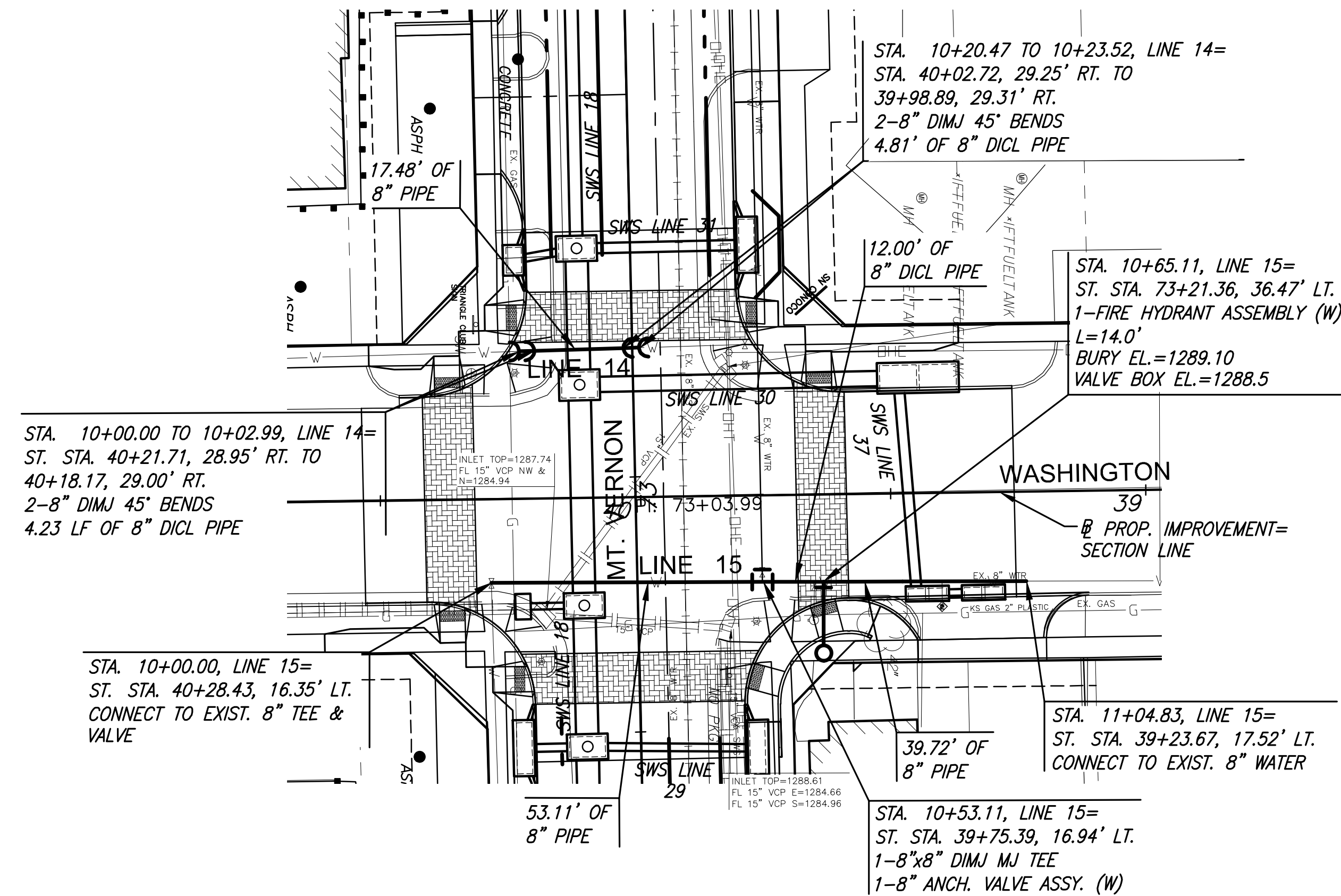
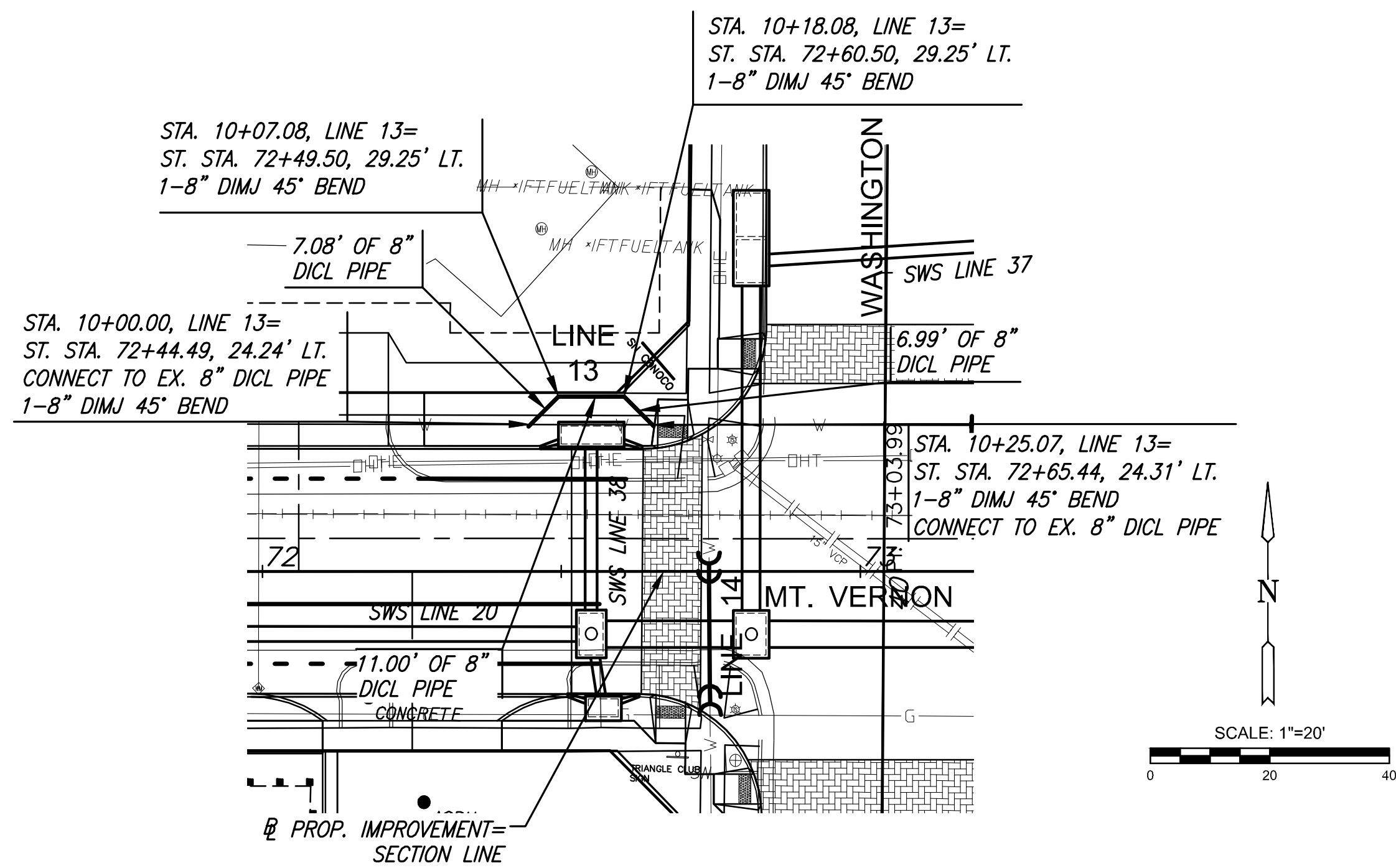


©2019
MKEC Engineering
All Rights Reserved
www.mkec.com
These drawings and their contents, including, but not limited to, all concepts, designs, & lists are the exclusive property of MKEC Engineering (MKEC), and may not be used or reproduced in any way without the express consent of MKEC.

WTR LINES 13-15

PROJECT NO.	87 N-0660-01	
DATE	8/19/2019	
SCALE	1"=20'	
DESIGNED	DRAWN	CHECKED
JTC	DM	JTC

SHEET NO.



PLOT/TEC Friday, August 23, 2019 @ 03:28PM

J:\CIVIL\081380\DWG\WTR\081381_CS.DWG