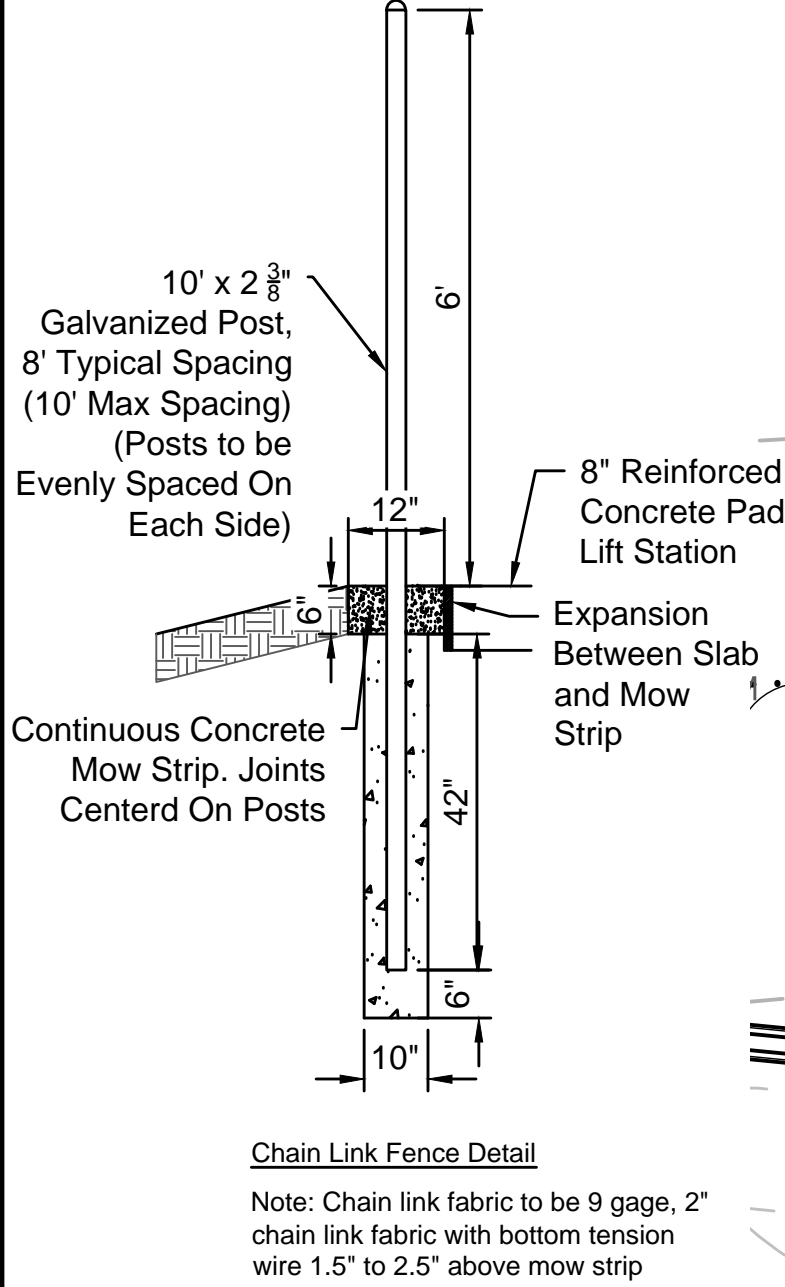
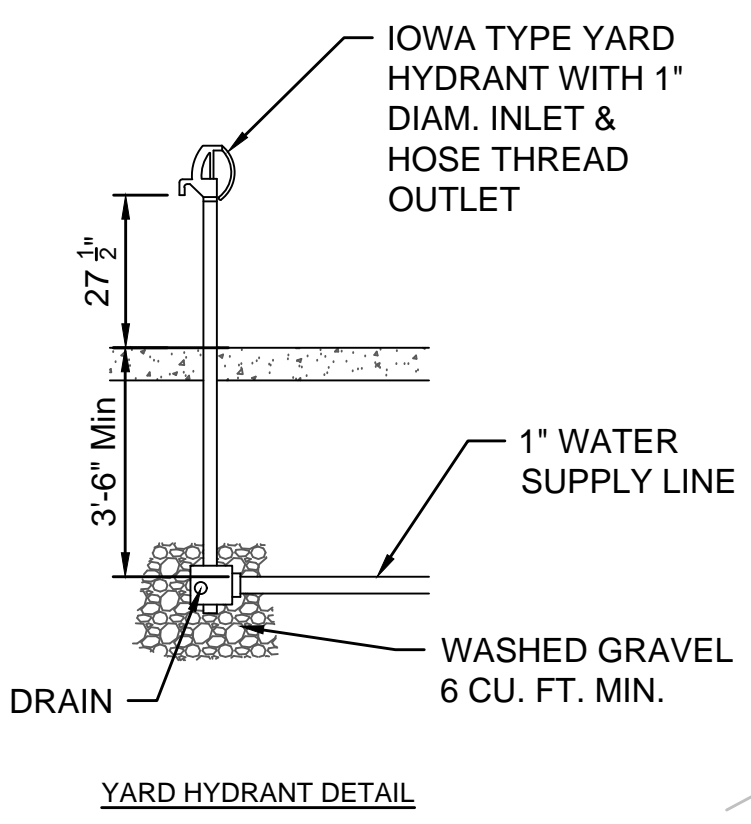
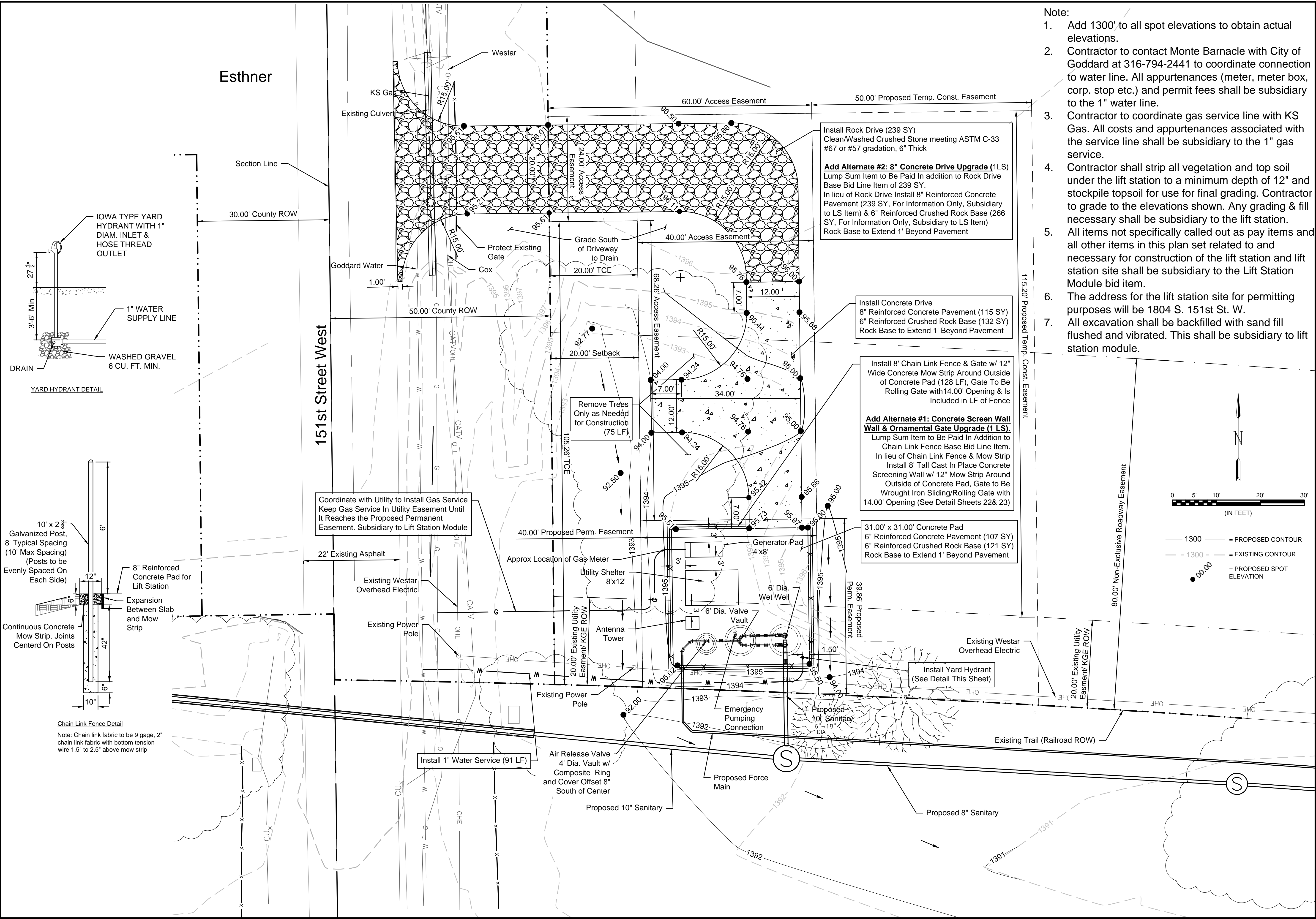


File: L:\2017\17264967 - LS 53 Replacement No. 1\Drawings\C3D\Plan Sheets\Lift Station Layout.dwg, Last Save: 11/19/2019 10:46 AM, Last saved by: MTDolechek  
 Last plotted by: Dolechek, Mark T., Plot Style: ---, Plot Scale: 1:2,584.9, Plot Date: 11/19/2019 10:53 AM, Plotter used: None



**Install Rock Drive (239 SY)**  
 Clean/Washed Crushed Stone meeting ASTM C-33 #67 or #57 gradation, 6" Thick

**Add Alternate #2: 8" Concrete Drive Upgrade (1LS)**  
 Lump Sum Item to Be Paid In addition to Rock Drive Base Bid Line Item of 239 SY.  
 In lieu of Rock Drive Install 8" Reinforced Concrete Pavement (239 SY, For Information Only, Subsidiary to LS Item) & 6" Reinforced Crushed Rock Base (266 SY, For Information Only, Subsidiary to LS Item) Rock Base to Extend 1' Beyond Pavement

**Install Concrete Drive**  
 8" Reinforced Concrete Pavement (115 SY)  
 6" Reinforced Crushed Rock Base (132 SY)  
 Rock Base to Extend 1' Beyond Pavement

**Install 8" Chain Link Fence & Gate w/ 12" Wide Concrete Mow Strip Around Outside of Concrete Pad (128 LF), Gate To Be Rolling Gate with 14.00' Opening & Is Included in LF of Fence**

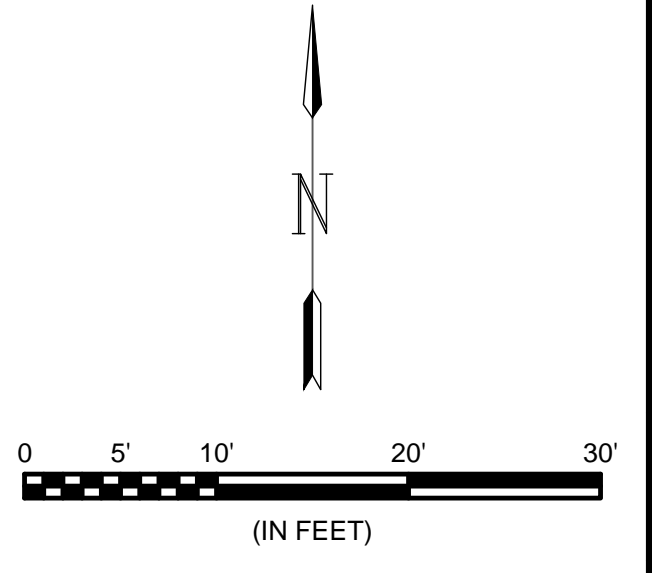
**Add Alternate #1: Concrete Screen Wall Wall & Ornamental Gate Upgrade (1 LS)**  
 Lump Sum Item to Be Paid In Addition to Chain Link Fence Base Bid Line Item.  
 In lieu of Chain Link Fence & Mow Strip Install 8' Tall Cast In Place Concrete Screening Wall w/ 12" Mow Strip Around Outside of Concrete Pad, Gate to Be Wrought Iron Sliding/Rolling Gate with 14.00' Opening (See Detail Sheets 22& 23)

**31.00' x 31.00' Concrete Pad**  
 6" Reinforced Concrete Pavement (107 SY)  
 6" Reinforced Crushed Rock Base (121 SY)  
 Rock Base to Extend 1' Beyond Pavement

**Coordinate with Utility to Install Gas Service**  
 Keep Gas Service In Utility Easement Until It Reaches the Proposed Permanent Easement. Subsidiary to Lift Station Module

**Install 1" Water Service (91 LF)**

- Note:
1. Add 1300' to all spot elevations to obtain actual elevations.
  2. Contractor to contact Monte Barnacle with City of Goddard at 316-794-2441 to coordinate connection to water line. All appurtenances (meter, meter box, corp. stop etc.) and permit fees shall be subsidiary to the 1" water line.
  3. Contractor to coordinate gas service line with KS Gas. All costs and appurtenances associated with the service line shall be subsidiary to the 1" gas service.
  4. Contractor shall strip all vegetation and top soil under the lift station to a minimum depth of 12" and stockpile topsoil for use for final grading. Contractor to grade to the elevations shown. Any grading & fill necessary shall be subsidiary to the lift station.
  5. All items not specifically called out as pay items and all other items in this plan set related to and necessary for construction of the lift station and lift station site shall be subsidiary to the Lift Station Module bid item.
  6. The address for the lift station site for permitting purposes will be 1804 S. 151st St. W.
  7. All excavation shall be backfilled with sand fill flushed and vibrated. This shall be subsidiary to lift station module.



**GARVER**

© 2018 GARVER, LLC  
 THIS DOCUMENT, ALONG WITH THE IDEAS AND DESIGNS CONVEYED HEREIN, SHALL BE CONSIDERED INSTRUMENTS OF PROFESSIONAL SERVICE AND ARE PROPERTY OF GARVER, LLC. ANY USE, REPRODUCTION, OR DISTRIBUTION OF THIS DOCUMENT, ALONG WITH THE IDEAS AND DESIGN CONTAINED HEREIN, IS PROHIBITED UNLESS AUTHORIZED IN WRITING BY GARVER, LLC OR EXPLICITLY ALLOWED IN THE GOVERNING PROFESSIONAL SERVICES AGREEMENT FOR THIS WORK.

MARK T. DOLECHEK  
 LICENSED  
 25299  
 PROFESSIONAL ENGINEER  
 KANSAS  
 Digitally Signed 11/19/2019

REV.	DATE	DESCRIPTION	BY

CITY OF WICHITA  
 WICHITA, KANSAS

Consolidation of Lift Stations  
 Near 151st St. & W. Kellogg

**Lift Station Site Plan**

JOB NO.: 17264967  
 DATE: NOV. 2019  
 DESIGNED BY: MTD  
 DRAWN BY: MTD

BAR IS ONE INCH ON ORIGINAL DRAWING  
 0 1" IF NOT ONE INCH ON THIS SHEET, ADJUST SCALES ACCORDINGLY.

DRAWING NUMBER

SHEET NUMBER **10** OF **36**