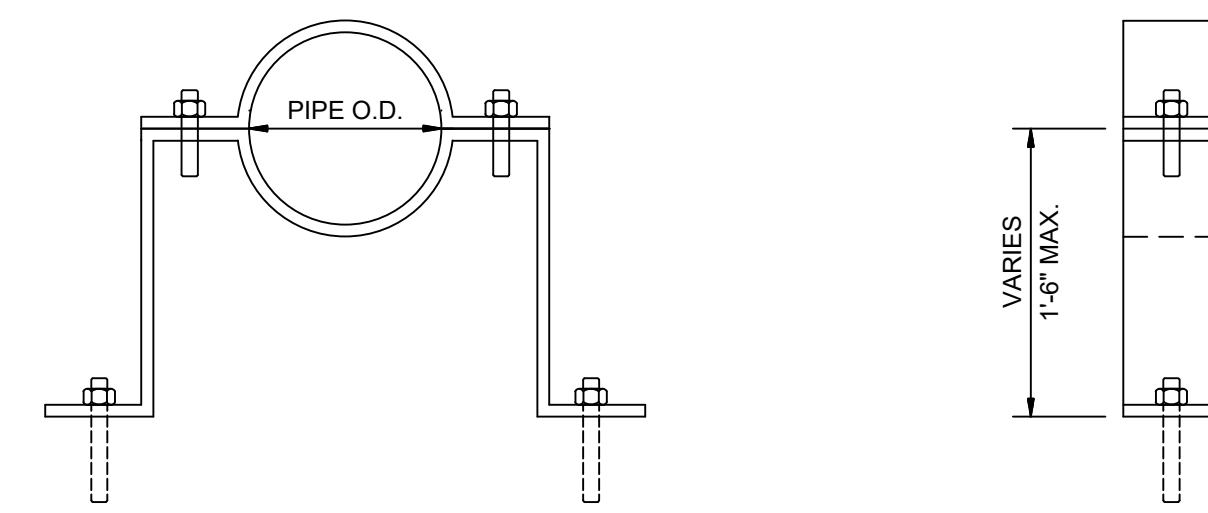


ALUMINUM HATCH & SAFETY GRATE SPECIFICATIONS:

1. TOP MOUNT ALUMINUM SAFETY GRATE SHALL COVER OPENING IN CONFORMANCE W/OSHA 1910.23.
2. SAFETY GRATE SHALL HAVE A MINIMUM OF 300 PSF LOADING CAPACITY.

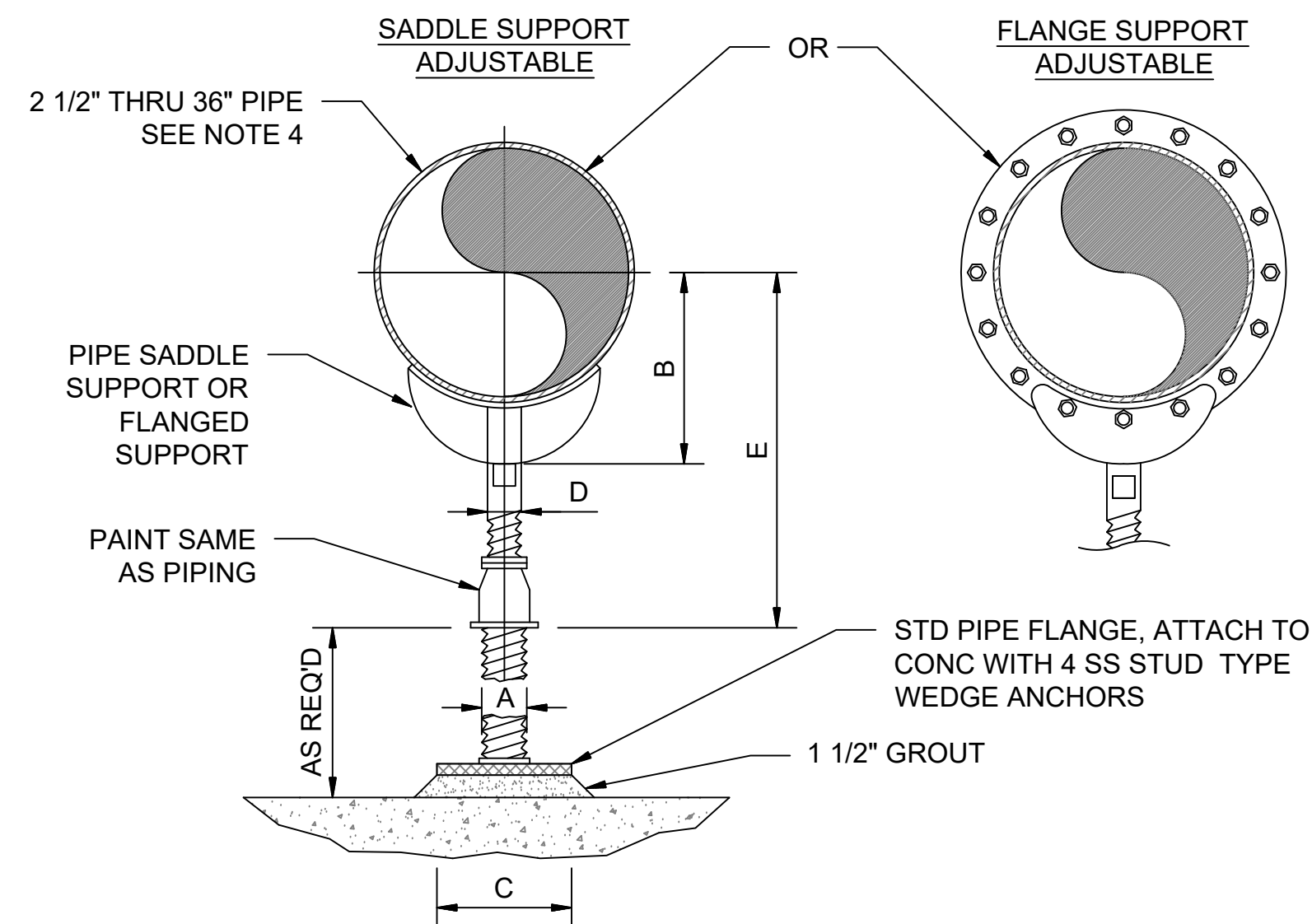
1
13 **ALUMINUM HATCH W/ SAFETY GRATE**
SCALE: NONE



NOTES:

1. PIPE SUPPORT IS TO BE USED FOR 4"Ø AND LARGER PIPE.
2. IF SUPPORT IS SUBMERGED OR LOCATED BELOW THE TOP OF WALL IN WATER BEARING STRUCTURE, MATERIAL FOR ANCHOR BLOTS AND STRAP SHALL BE STAINLESS STEEL. IN ALL OTHER AREAS, MATERIAL FOR ANCHOR BOLTS AND STRAP SHALL BE HOT-DIP GALVANIZED STEEL UNLESS OTHERWISE INDICATED ON THE DRAWINGS.

2
13 **WALL MOUNTED VERTICAL PIPE SUPPORT**
SCALE: NONE

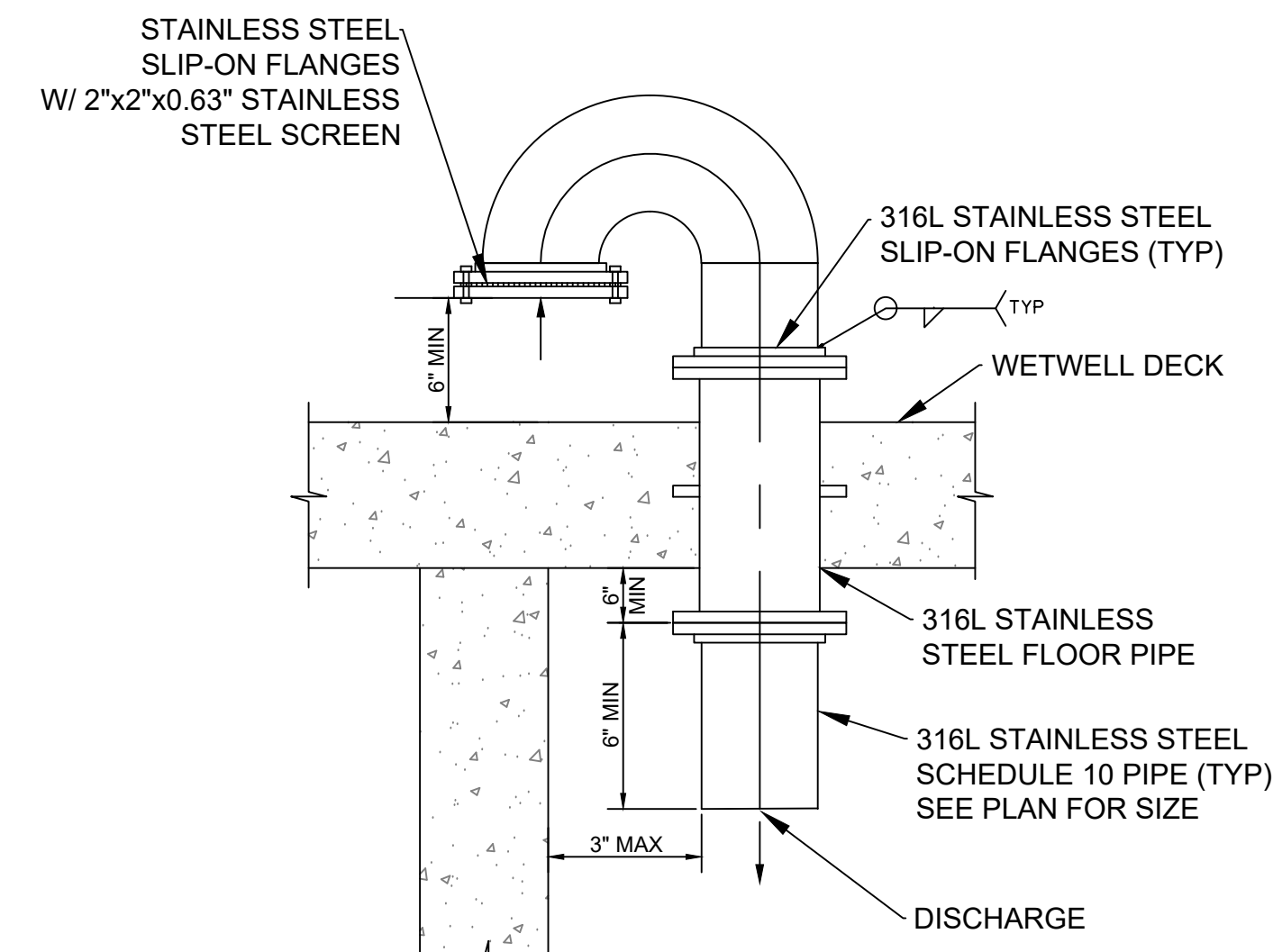


PIPE SIZE	A	B	C	D	E	
					MIN	MAX
2-1/2"	2-1/2"	3-1/2"	9"	1-1/2"	8"	13"
3"	2-1/2"	3-3/4"	9"	1-1/2"	8-1/4"	13-1/4"
3-1/2"	2-1/2"	4"	9"	1-1/2"	8-1/2"	13-1/2"
4"	3"	4-1/4"	9"	2-1/2"	9-1/4"	14"
5"	3"	4-7/8"	9"	2-1/2"	10"	14-3/4"
6"	3"	5-1/2"	9"	2-1/2"	10-1/2"	15-1/4"
8"	3"	6-7/8"	9"	2-1/2"	11-3/4"	15-1/2"
10"	3"	8-1/2"	9"	2-1/2"	13-1/2"	18-1/4"
12"	3"	9-15/16"	9"	2-1/2"	15"	19-3/4"
14"	4"	10-15/16"	11"	3"	16-1/4"	20-3/4"
16"	4"	12-3/8"	11"	3"	17-3/4"	22-1/4"
18"	6"	13-7/8"	13-1/2"	3-1/2"	19-1/2"	24"
20"	6"	15-3/8"	13-1/2"	3-1/2"	21"	25-1/2"
24"	6"	17-15/16"	13-1/2"	4"	23-3/4"	28-1/4"
30"	6"	21-5/16"	13-1/2"	4"	27"	31-1/2"
32"	6"	22-1/2"	13-1/2"	4"	28-1/4"	32-3/4"
36"	6"	24-1/2"	13-1/2"	4"	30-1/4"	34-3/4"

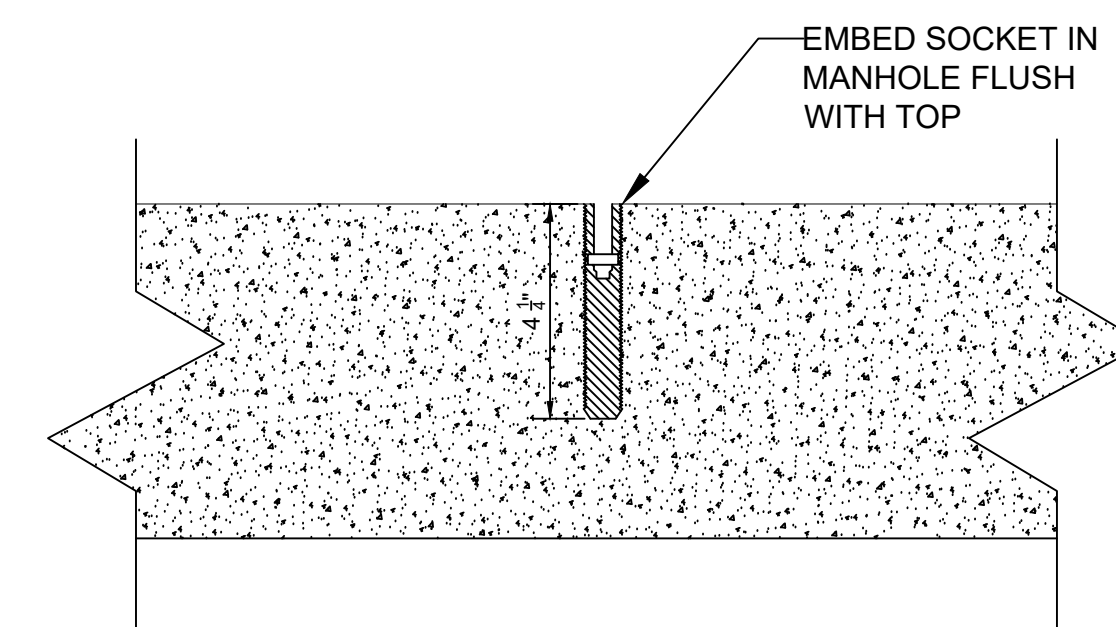
NOTES:

1. PROVIDE HALF ROUND RIGID INSULATION AND INSULATION PROTECTION SHIELD WHERE PIPING IS INSULATED
2. PROVIDE NEOPRENE WAFFLE INSULATION PAD, SIMILAR TO MASON TYPE "W" OR KORFUND 40, UNDER SUPPORT FOOT WHEN PIPING IS ISOLATED OR SUPPORT IS ADJACENT TO MECHANICAL EQUIPMENT.
3. FOR BASE, HEIGHT AND FLANGE DIMENSIONS, SEE TABLE
4. USE 2 1/2" SUPPORTS FOR PIPES LESS THAN 2 1/2"Ø

3
13 **ADJUSTABLE FLOOR MOUNTED PIPE SUPPORT**
SCALE: NONE



4
13 **STAINLESS STEEL VENT DETAIL**
SCALE: NONE



4
13 **ANCHOR SOCKET DETAIL**
SCALE: NONE



© 2018 GARVER, LLC
THIS DOCUMENT, ALONG WITH THE IDEAS AND DESIGNS CONVEYED HEREIN, SHALL BE CONSIDERED INSTRUMENTS OF PROFESSIONAL SERVICE AND ARE PROPERTY OF GARVER, LLC. ANY USE, REPRODUCTION, OR DISTRIBUTION OF THIS DOCUMENT, ALONG WITH THE IDEAS AND DESIGN CONTAINED HEREIN, IS PROHIBITED UNLESS AUTHORIZED IN WRITING BY GARVER, LLC OR EXPLICITLY ALLOWED IN THE GOVERNING PROFESSIONAL SERVICES AGREEMENT FOR THIS WORK.



Digitally Signed 11/19/2019

BY	DESCRIPTION	DATE	REV.



CITY OF WICHITA
WICHITA, KANSAS
Consolidation of Lift Stations
Near 151st St. & W. Kellogg

Lift Station Details

JOB NO.: 17264967
DATE: NOV. 2019
DESIGNED BY: JGC
DRAWN BY: JCH

BAR IS ONE INCH ON ORIGINAL DRAWING
IF NOT ONE INCH ON THIS SHEET, ADJUST SCALES ACCORDINGLY.

DRAWING NUMBER

SHEET NUMBER **13** OF **36**