



© 2018 GARVER, LLC
 THIS DOCUMENT, ALONG WITH THE IDEAS AND DESIGNS CONVEYED HEREIN, SHALL BE CONSIDERED INSTRUMENTS OF PROFESSIONAL SERVICE AND ARE PROPERTY OF GARVER, LLC. ANY USE, REPRODUCTION, OR DISTRIBUTION OF THIS DOCUMENT, ALONG WITH THE IDEAS AND DESIGN CONTAINED HEREIN, IS PROHIBITED UNLESS AUTHORIZED IN WRITING BY GARVER, LLC OR EXPLICITLY ALLOWED IN THE GOVERNING PROFESSIONAL SERVICES AGREEMENT FOR THIS WORK.



Digitally Signed 11/18/2019

REV.	DATE	DESCRIPTION	BY



CITY OF WICHITA
 WICHITA, KANSAS
 Consolidation of Lift Stations
 Near 151st St. & W. Kellogg

ONLINE DIAGRAM AND ELEVATIONS

JOB NO.: 17264967
 DATE: NOV. 2019
 DESIGNED BY: SAH
 DRAWN BY: SAH

BAR IS ONE INCH ON ORIGINAL DRAWING
 IF NOT ONE INCH ON THIS SHEET, ADJUST SCALES ACCORDINGLY.

DRAWING NUMBER
E1

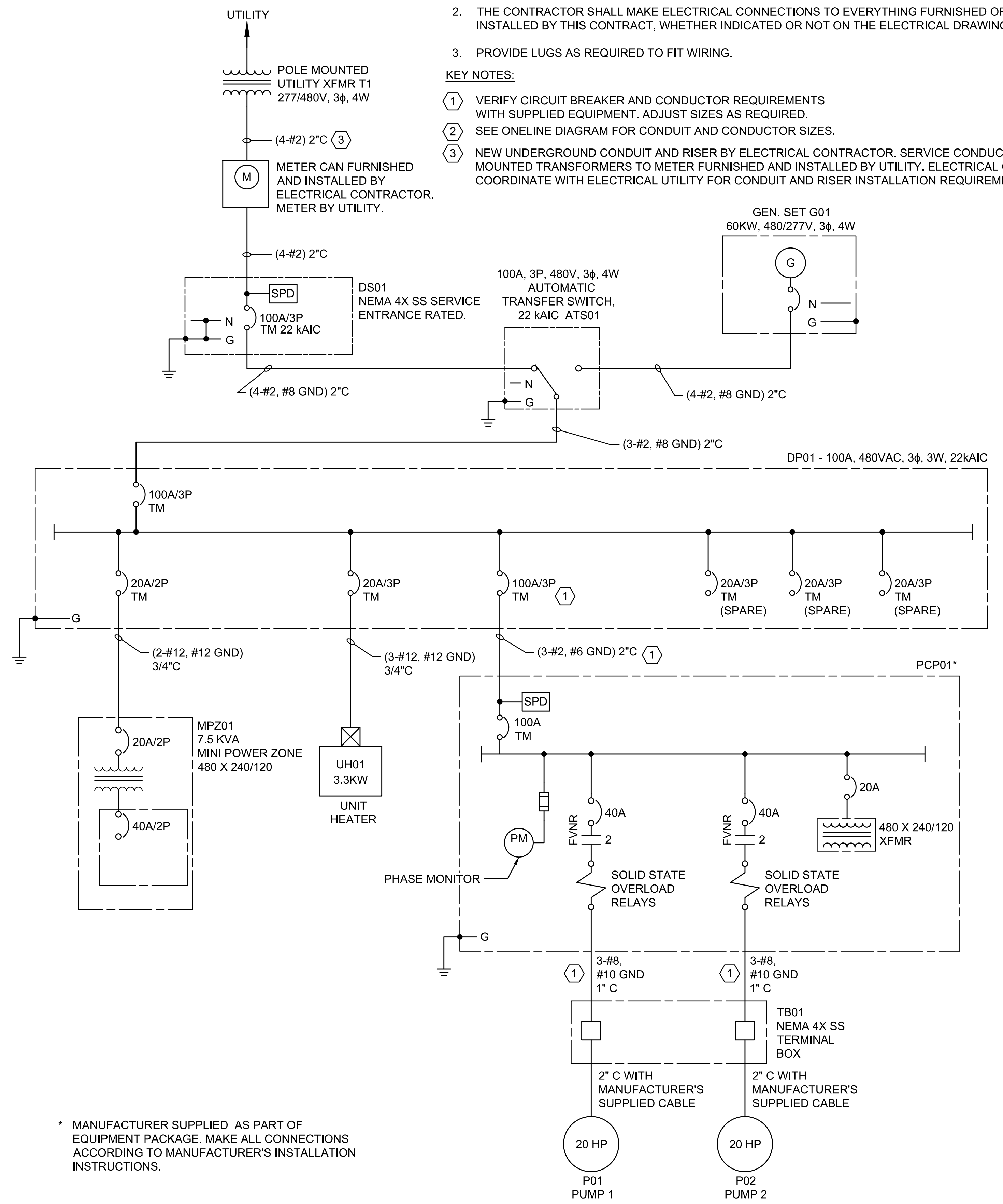
SHEET NUMBER **14** OF **36**

GENERAL NOTES:

1. ELECTRICAL WORK SHALL BE PERFORMED IN ACCORDANCE WITH THE CURRENT EDITIONS OF THE NFPA 70 NATIONAL ELECTRICAL CODE, NFPA 101 LIFE SAFETY CODE, NFPA 70E ELECTRICAL SAFETY CODE, STATE ELECTRICAL CODE, AND LOCAL ELECTRICAL CODE.
2. THE CONTRACTOR SHALL MAKE ELECTRICAL CONNECTIONS TO EVERYTHING FURNISHED OR INSTALLED BY THIS CONTRACT, WHETHER INDICATED OR NOT ON THE ELECTRICAL DRAWINGS.
3. PROVIDE LUGS AS REQUIRED TO FIT WIRING.

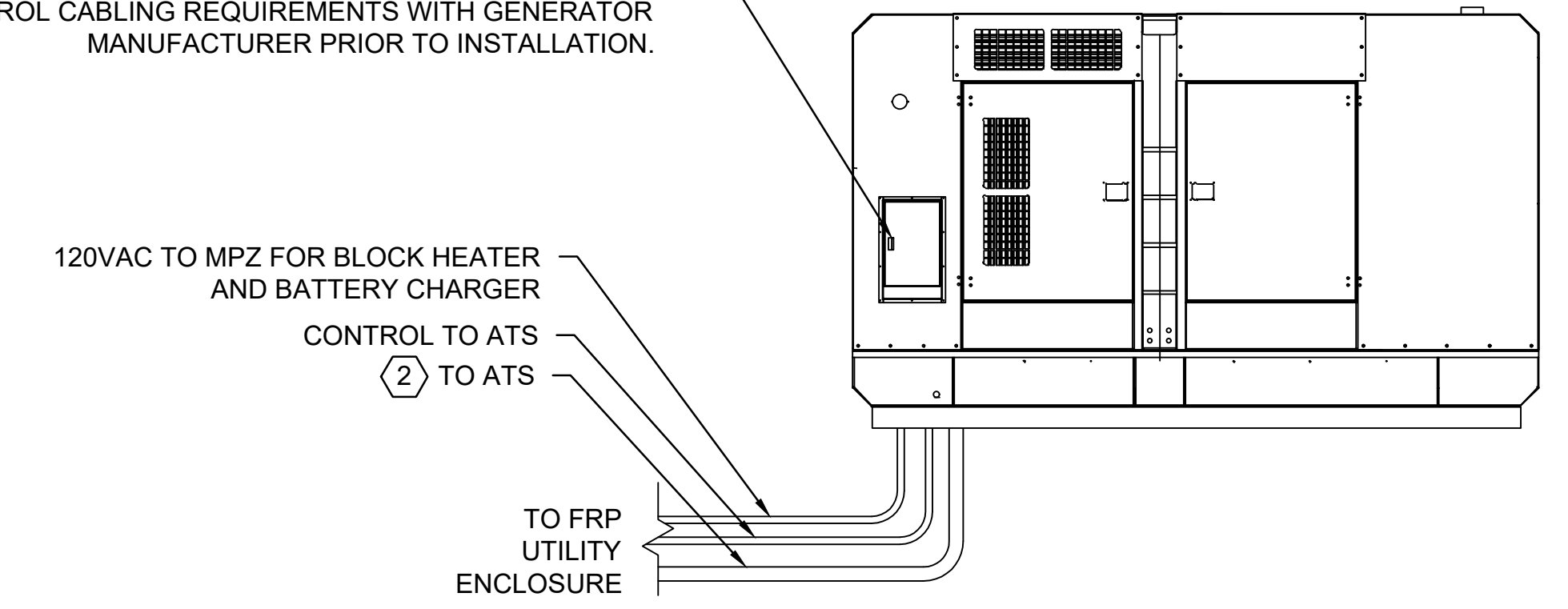
KEY NOTES:

- 1 VERIFY CIRCUIT BREAKER AND CONDUCTOR REQUIREMENTS WITH SUPPLIED EQUIPMENT. ADJUST SIZES AS REQUIRED.
- 2 SEE ONLINE DIAGRAM FOR CONDUIT AND CONDUCTOR SIZES.
- 3 NEW UNDERGROUND CONDUIT AND RISER BY ELECTRICAL CONTRACTOR. SERVICE CONDUCTORS FROM POLE MOUNTED TRANSFORMERS TO METER FURNISHED AND INSTALLED BY UTILITY. ELECTRICAL CONTRACTOR TO COORDINATE WITH ELECTRICAL UTILITY FOR CONDUIT AND RISER INSTALLATION REQUIREMENTS.



1 KELLOGG LIFT STATION ONLINE DIAGRAM
 SCALE: NONE

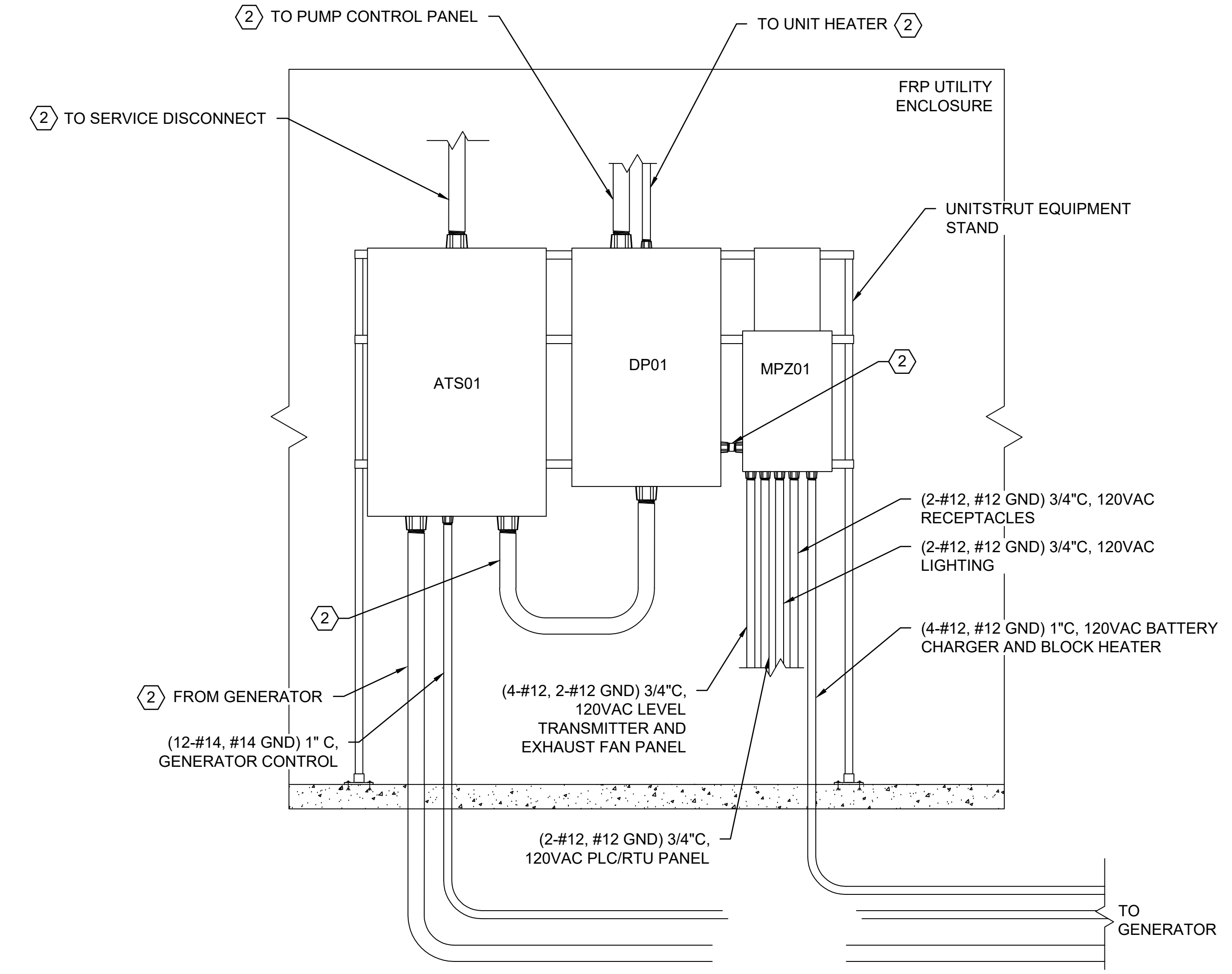
PROVIDE CONNECTIONS AT GENERATOR FOR BATTERY CHARGER, BLOCK HEATER, AND CONTROLS FROM ATS AS REQUIRED. COORDINATE CIRCUIT SIZES FOR EQUIPMENT AND CONTROL CABLING REQUIREMENTS WITH GENERATOR MANUFACTURER PRIOR TO INSTALLATION.



2 KELLOGG LIFT STATION GENERATOR ELEVATION
 SCALE: NONE

GENERAL NOTE:

ELECTRICAL CONTRACTOR SHALL VERIFY CONDUIT QUANTITIES NEEDED. ALL CONDUITS REQUIRED MAY NOT BE SHOWN IN THIS RISER DIAGRAM.



3 KELLOGG LIFT STATION POWER PANELS ELEVATION
 SCALE: NONE

File: L:\2017\17264967 - LS 63 Replacement No. 1\Drawings\KLLS-E1.dwg Last Save: 11/16/2019 9:07 AM Last saved by: SAHalsey
 Last plotted by: Haydock, Joseph C. Plot Style: AECmono.ctb Plot Scale: 1.0/255 Plot Date: 11/18/2019 3:21 PM Plotter used: DWG To PDF.pc3

* MANUFACTURER SUPPLIED AS PART OF EQUIPMENT PACKAGE. MAKE ALL CONNECTIONS ACCORDING TO MANUFACTURER'S INSTALLATION INSTRUCTIONS.