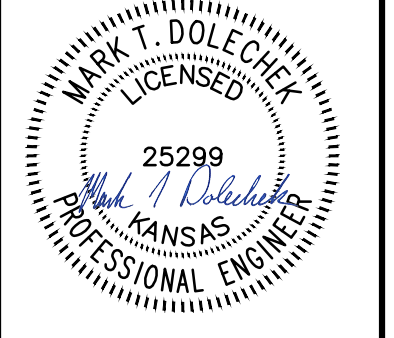




© 2018 GARVER, LLC
 THIS DOCUMENT, ALONG WITH THE IDEAS AND DESIGNS CONVEYED HEREIN, SHALL BE CONSIDERED INSTRUMENTS OF PROFESSIONAL SERVICE AND ARE PROPERTY OF GARVER, LLC. ANY USE, REPRODUCTION, OR DISTRIBUTION OF THIS DOCUMENT, ALONG WITH THE IDEAS AND DESIGN CONTAINED HEREIN, IS PROHIBITED UNLESS AUTHORIZED IN WRITING BY GARVER, LLC OR EXPLICITLY ALLOWED IN THE GOVERNING PROFESSIONAL SERVICES AGREEMENT FOR THIS WORK.



Digitally Signed 11/19/2019

REV.	DATE	DESCRIPTION	BY



CITY OF WICHITA
 WICHITA, KANSAS
 Consolidation of Lift Stations
 Near 151st St. & W. Kellogg

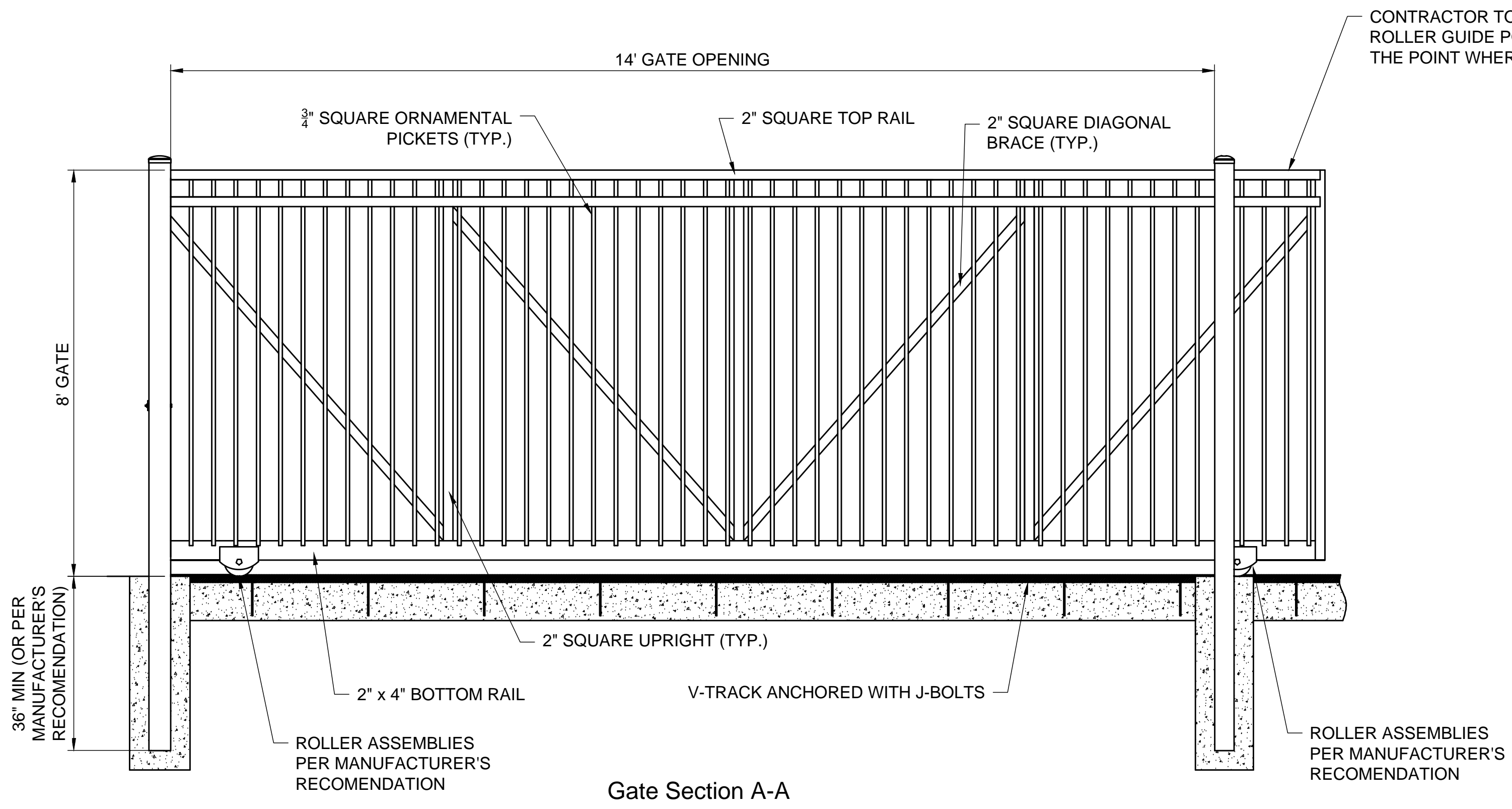
ORNAMENTAL GATE & MOW STRIP DETAIL

JOB NO.: 17264967
 DATE: NOV. 2019
 DESIGNED BY: MTD
 DRAWN BY: MTD

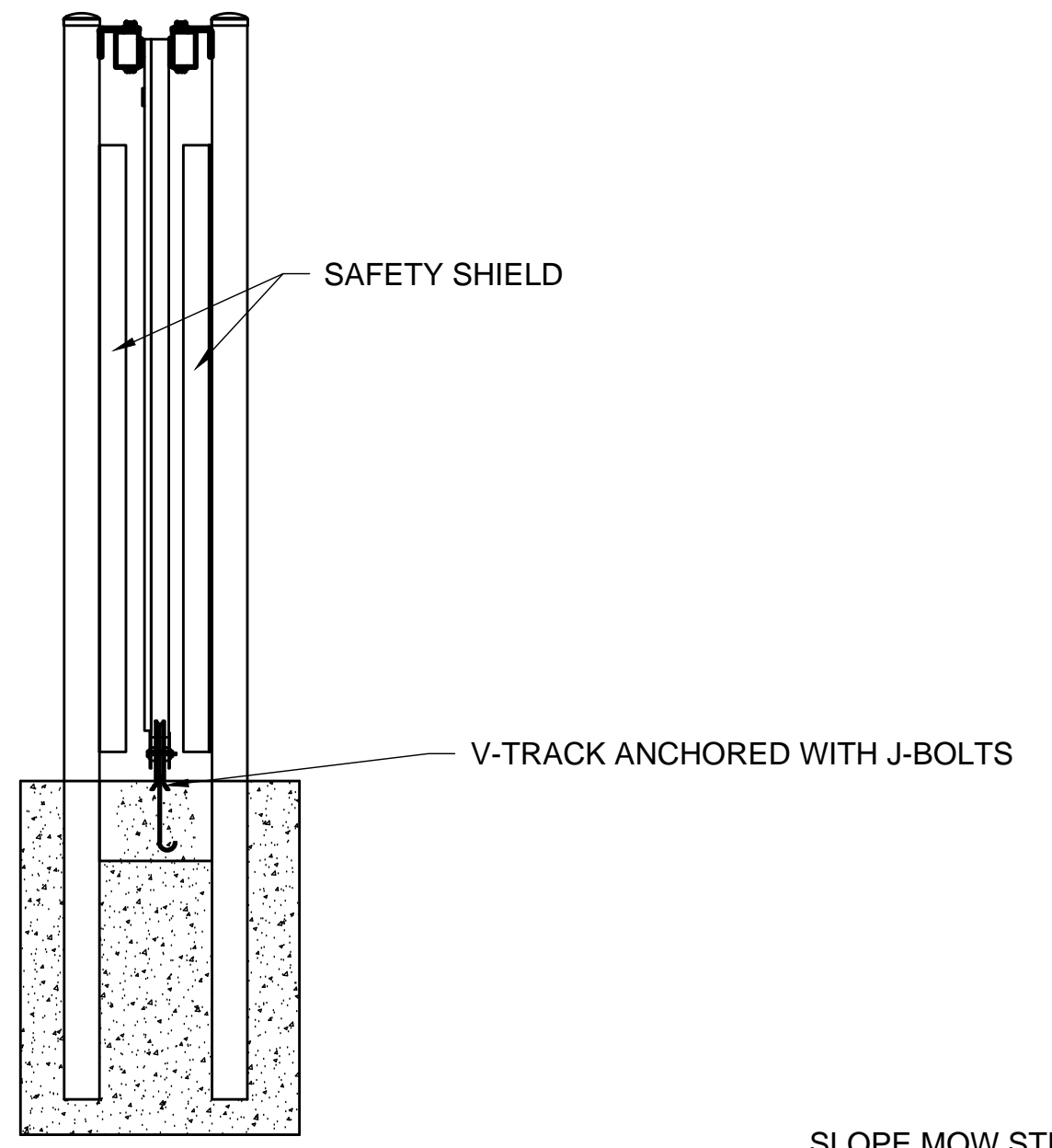
BAR IS ONE INCH ON ORIGINAL DRAWING
 0 1" IF NOT ONE INCH ON THIS SHEET, ADJUST SCALES ACCORDINGLY.

DRAWING NUMBER
23

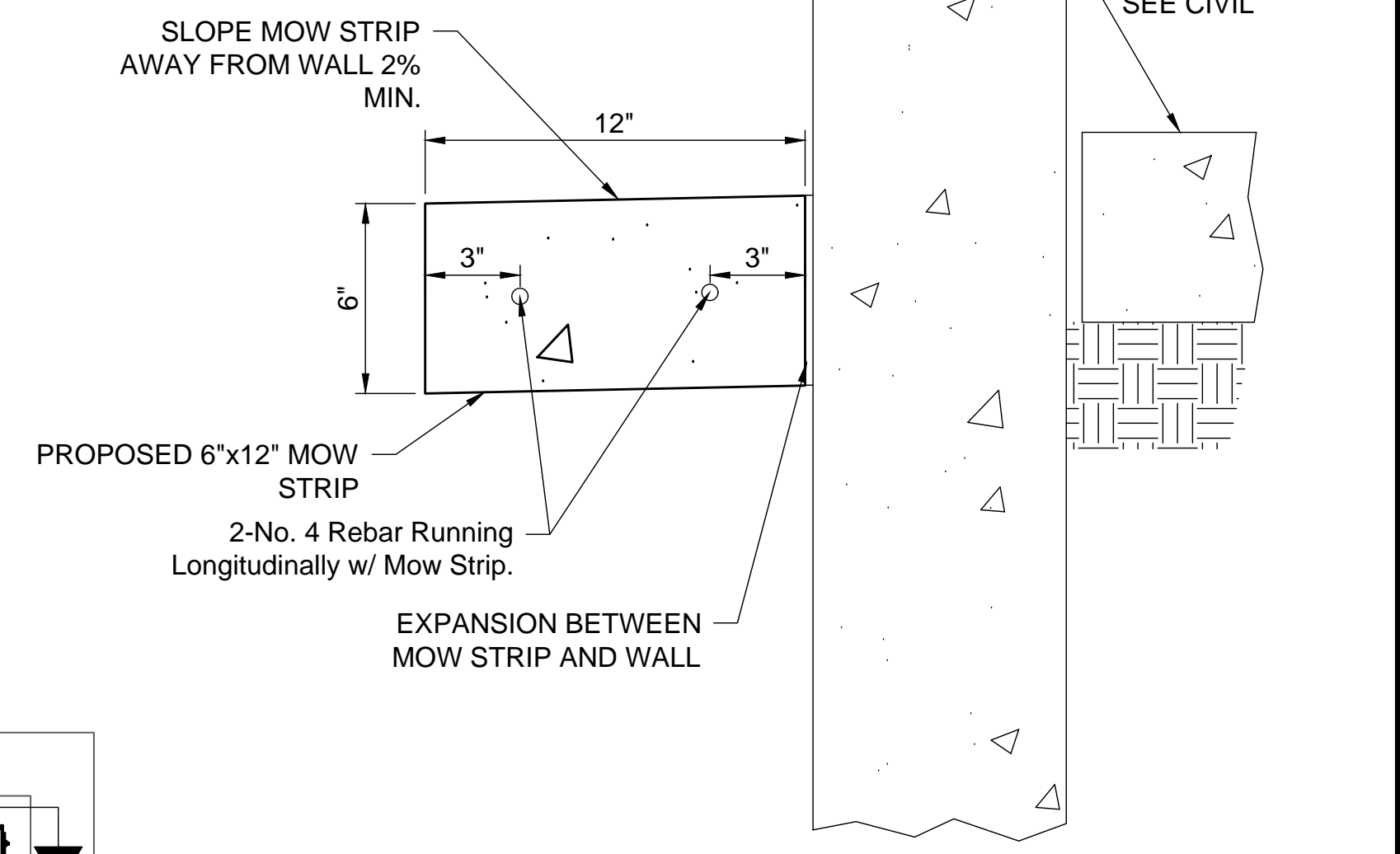
SHEET NUMBER **23** OF **36**



CONTRACTOR TO VERIFY THAT EXCESS GATE PAST ROLLER GUIDE POST SHALL NOT BE EXCESSIVE TO THE POINT WHERE THE GATE CANNOT FULLY OPEN

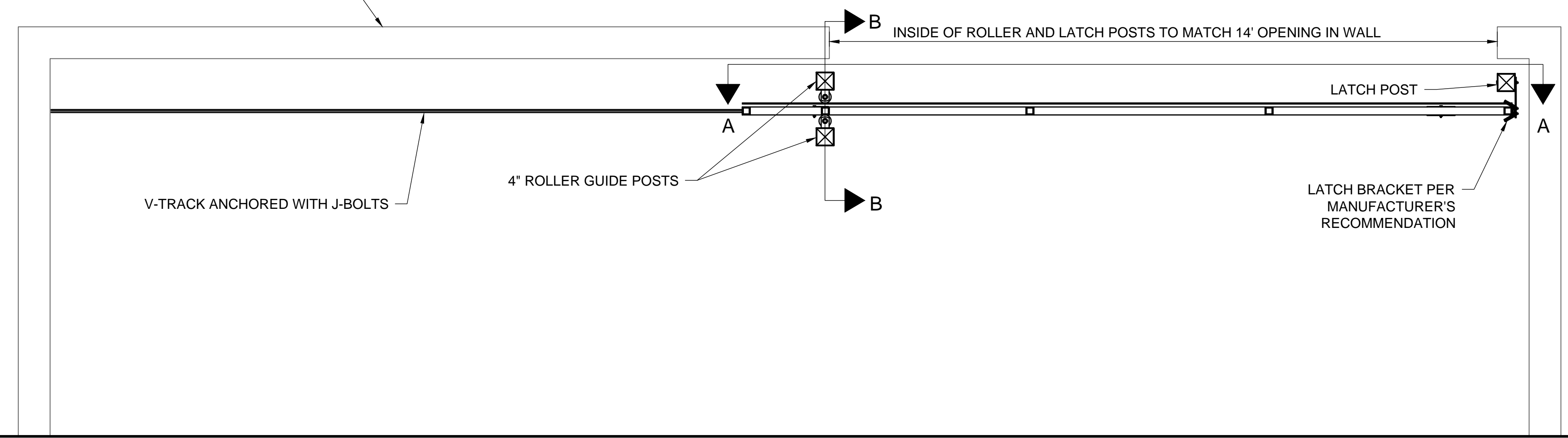


Black Wrought Iron Gate shall be Ameristar Fence - Passport Commercial Majestic Style Ornamental Roll Gate or Approved Equal



Mow Strip Detail Along Concrete Screen Wall

PROPOSED 8" CONCRETE SCREEN WALL SEE SHEET 22



File: L:\2017\17264967 - LS 53 Replacement No. 1\Drawings\C3D\Plan Sheets\Lift Station Layout.dwg, Last Saved: 11/19/2019 10:46 AM, Last saved by: MTD\lechek
 Last plotted by: Dollechek, Mark T., Plot Style: ---, Plot Scale: 1:2,584.9, Plot Date: 11/19/2019 10:53 AM, Plotter used: None