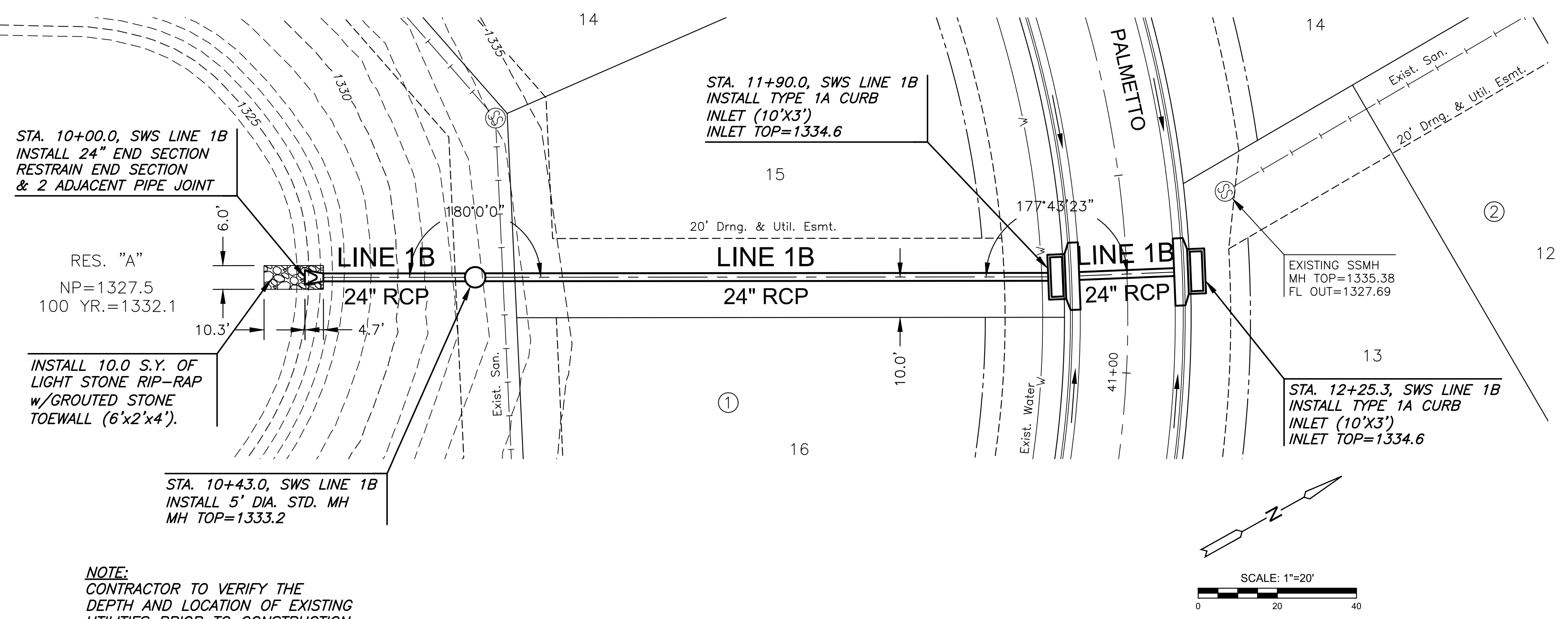
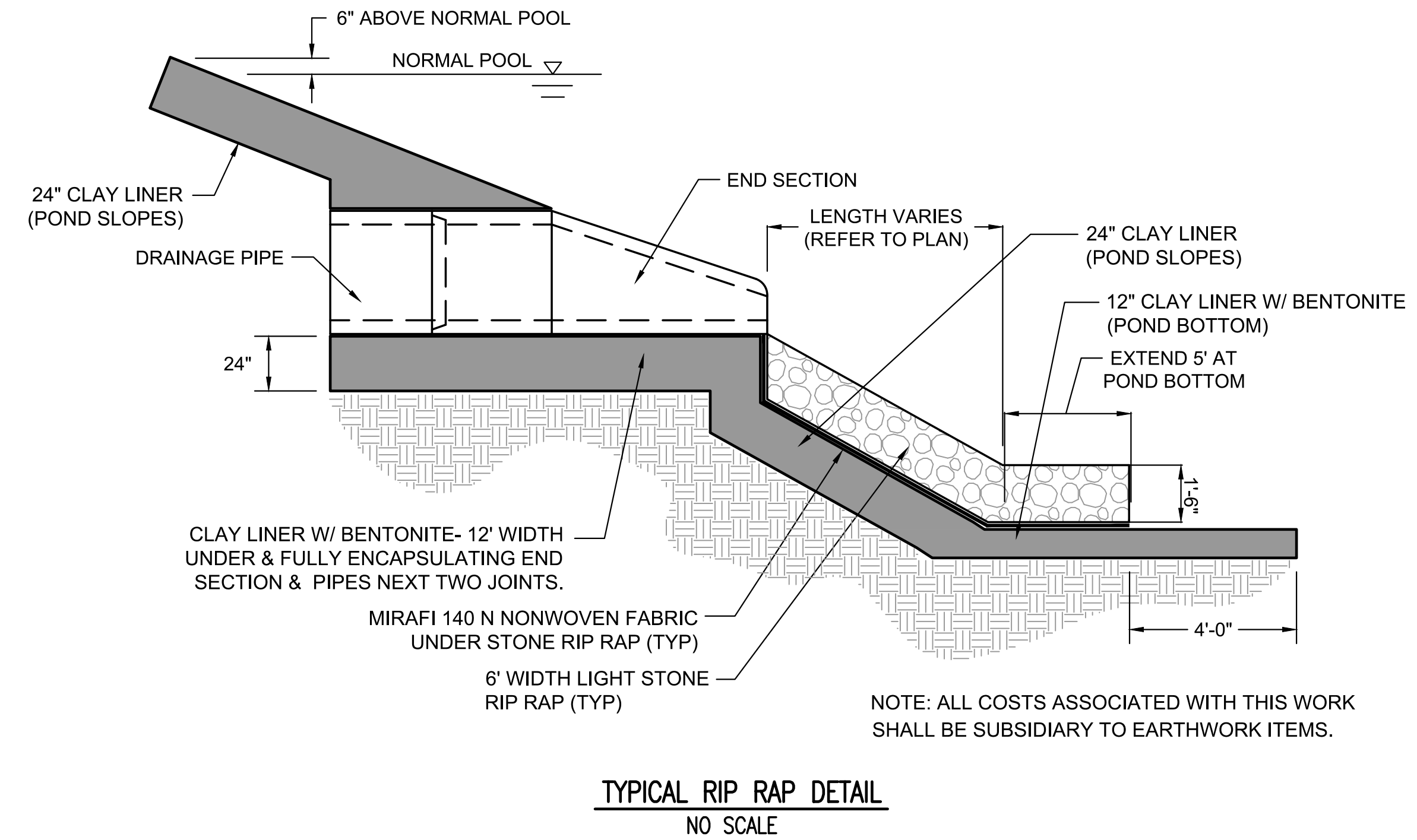
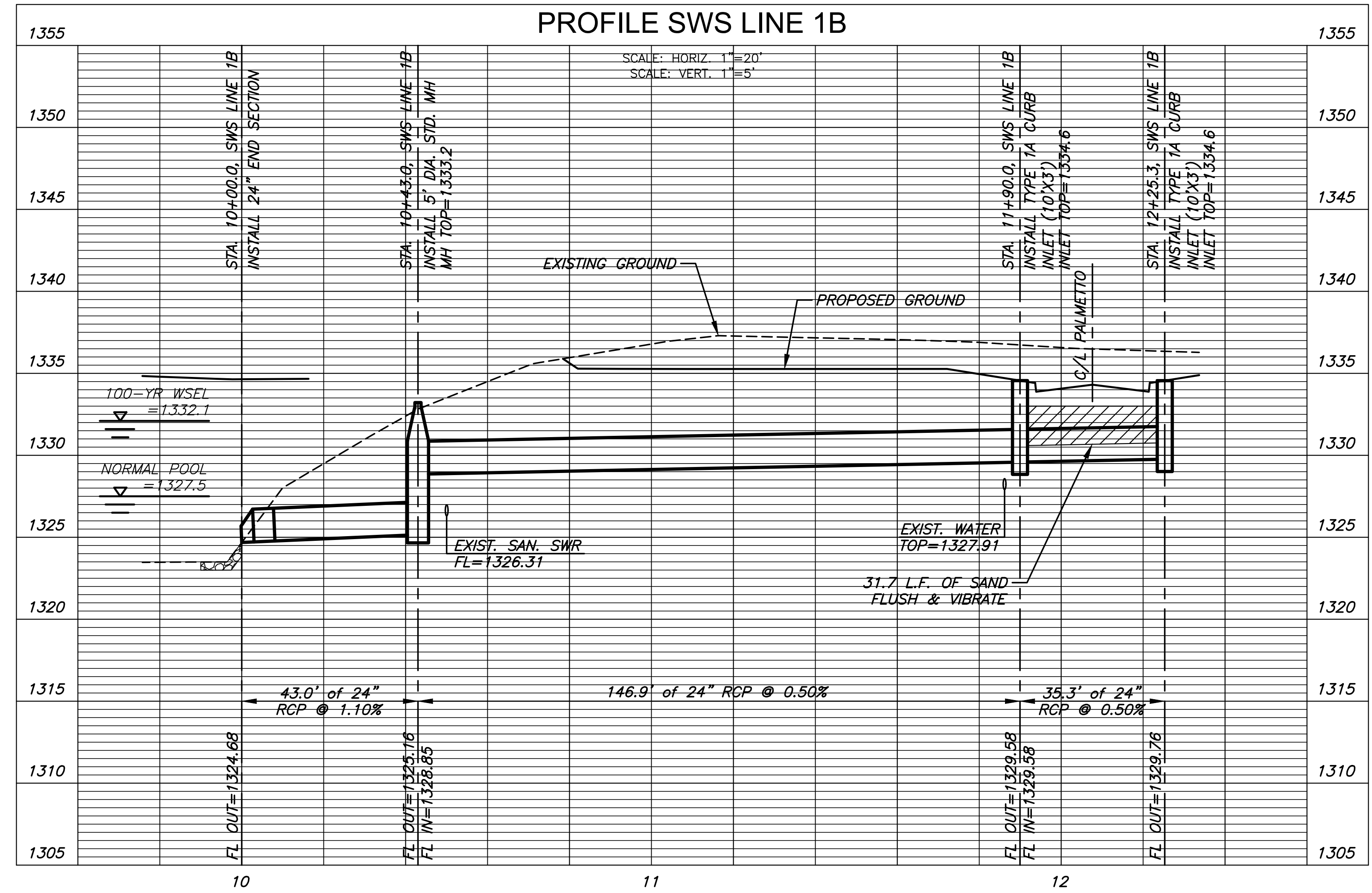


J:\PROJECTS\2019\10\102388_ESTANCIA_SECOND_18338_CAD\SHOTS\06_CIVIL\SW\PH1\18338-05-4200.DWG
 PLOTTED: Friday, December 20, 2019 @ 04:05PM



NOTE:
CONTRACTOR TO VERIFY THE DEPTH AND LOCATION OF EXISTING UTILITIES PRIOR TO CONSTRUCTION.

PLAN SWS LINE 1B
PROFILE SWS LINE 1B



©2019 MKEC Engineering All Rights Reserved www.mkec.com
These drawings and their contents, including, but not limited to, all concepts, designs, & ideas are the exclusive property of MKEC Engineering (MKEC), and may not be used or reproduced in any way without the express consent of MKEC.

SWS LINE 1B		
PROJECT NO.	472-2019-085560	
DATE	DEC 2019	
SCALE	1" = 20'	
DESIGNED	DRAWN	CHECKED
DFL	JWC	GJA
NO.	REVISION	DATE
SHEET NO.		
14 OF 29		