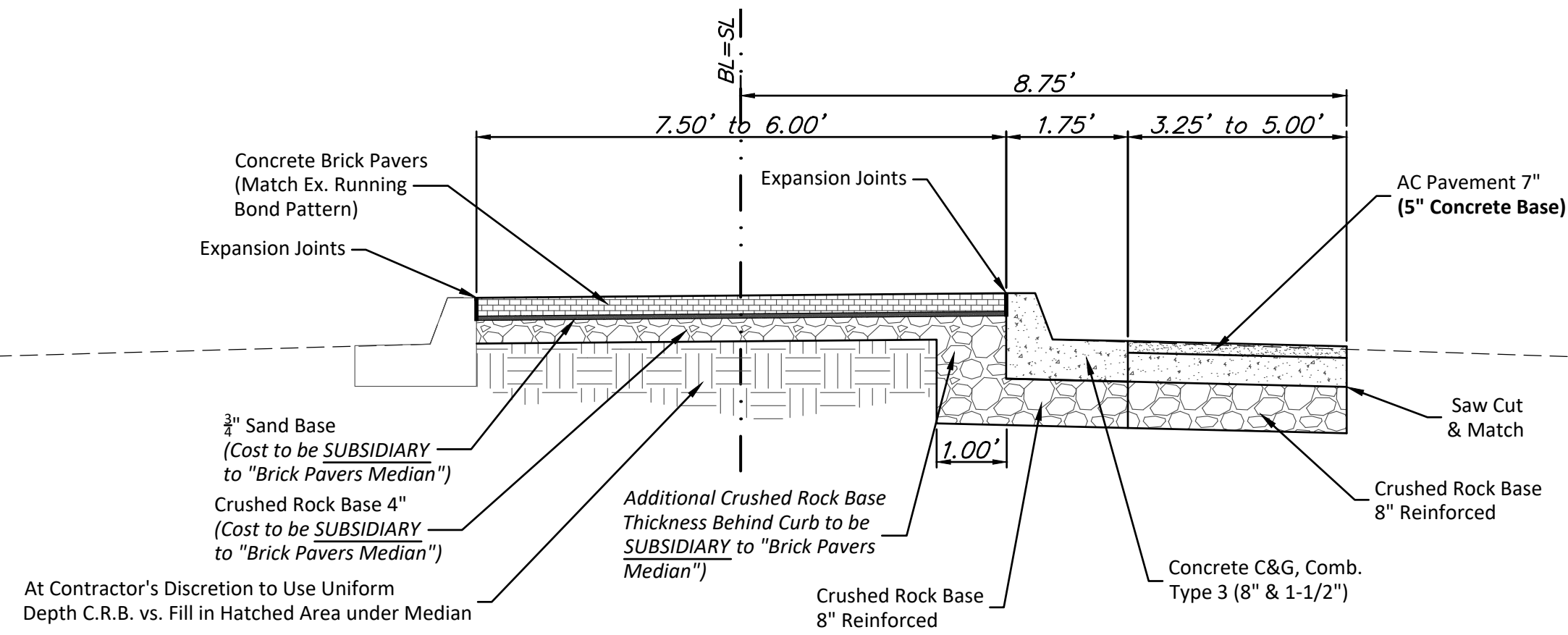


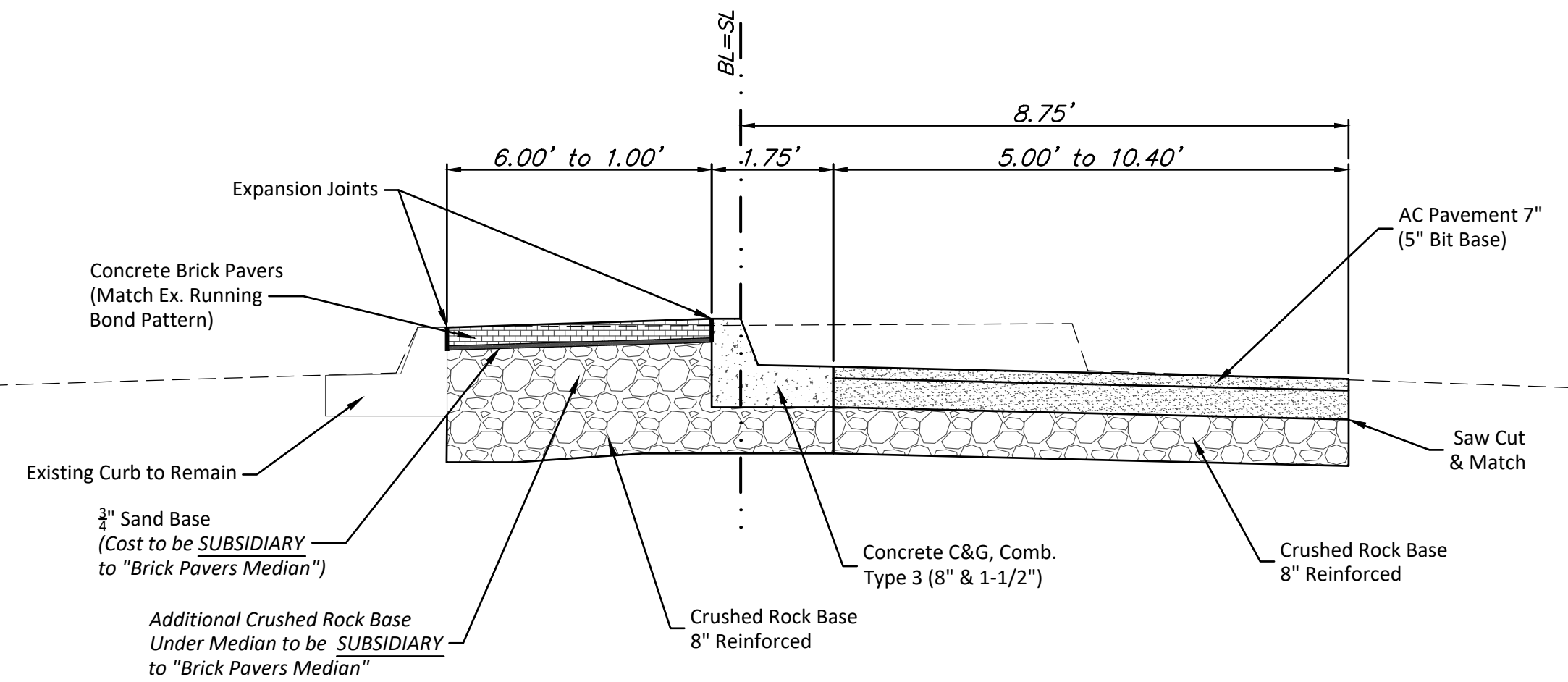
**29TH STREET
STA. 46+80.31 to 46+96.10**

1" = 2'



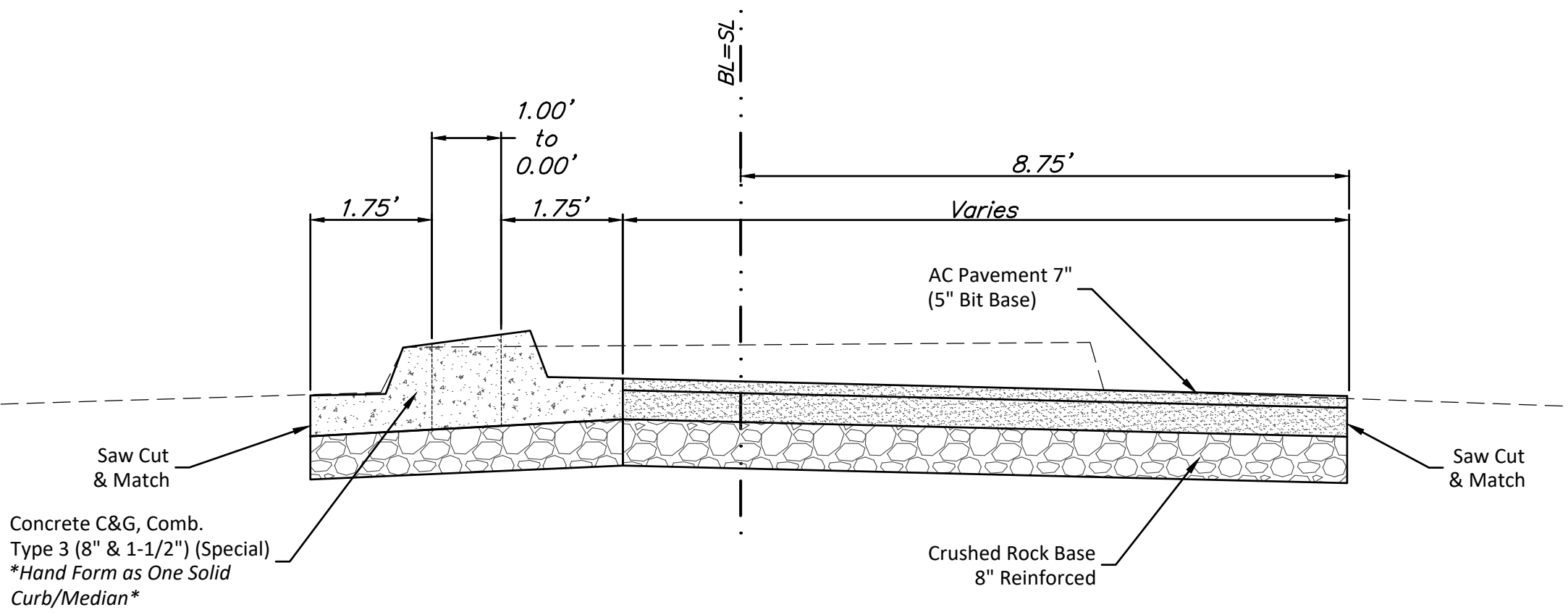
**29TH STREET
STA. 46+96.10 to 47+18.47**

1" = 2'



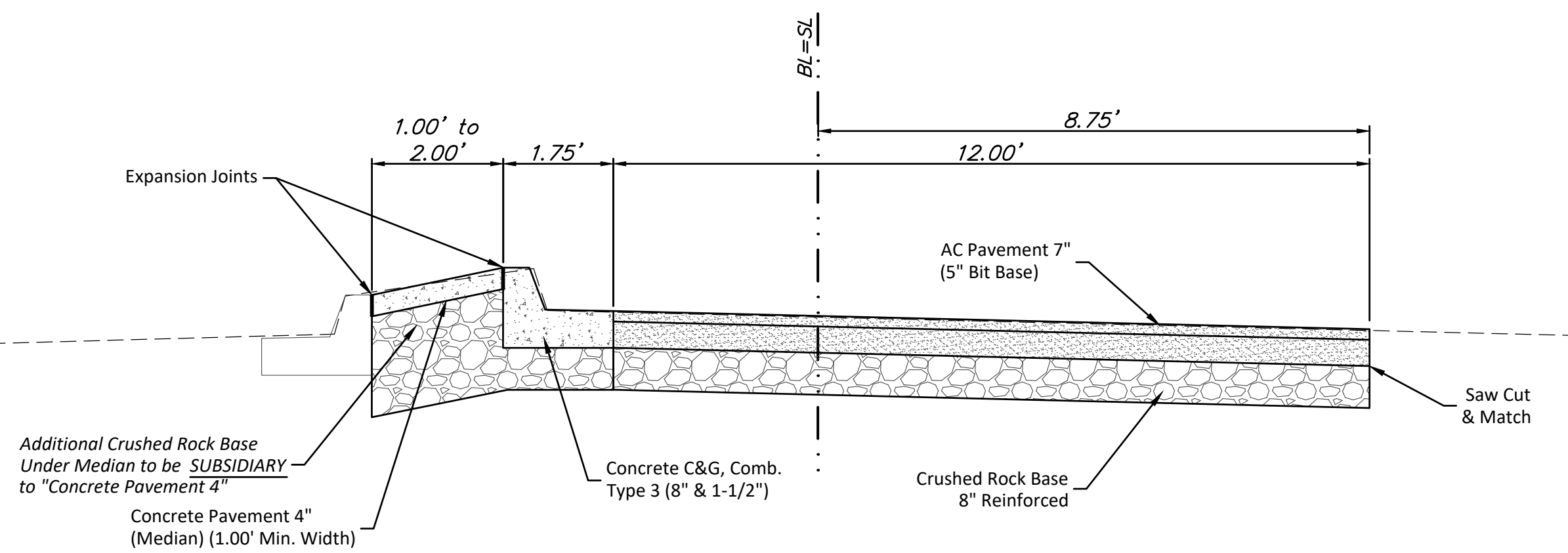
**29TH STREET
STA. 47+18.47 to 47+99.00**

1" = 2'



**29TH STREET
STA. 47+99.00 to 48+50.00**

1" = 2'



PAVEMENT SPECS:
BM-2
PG 64-22 (Base)
PG 70-28 (Surface)