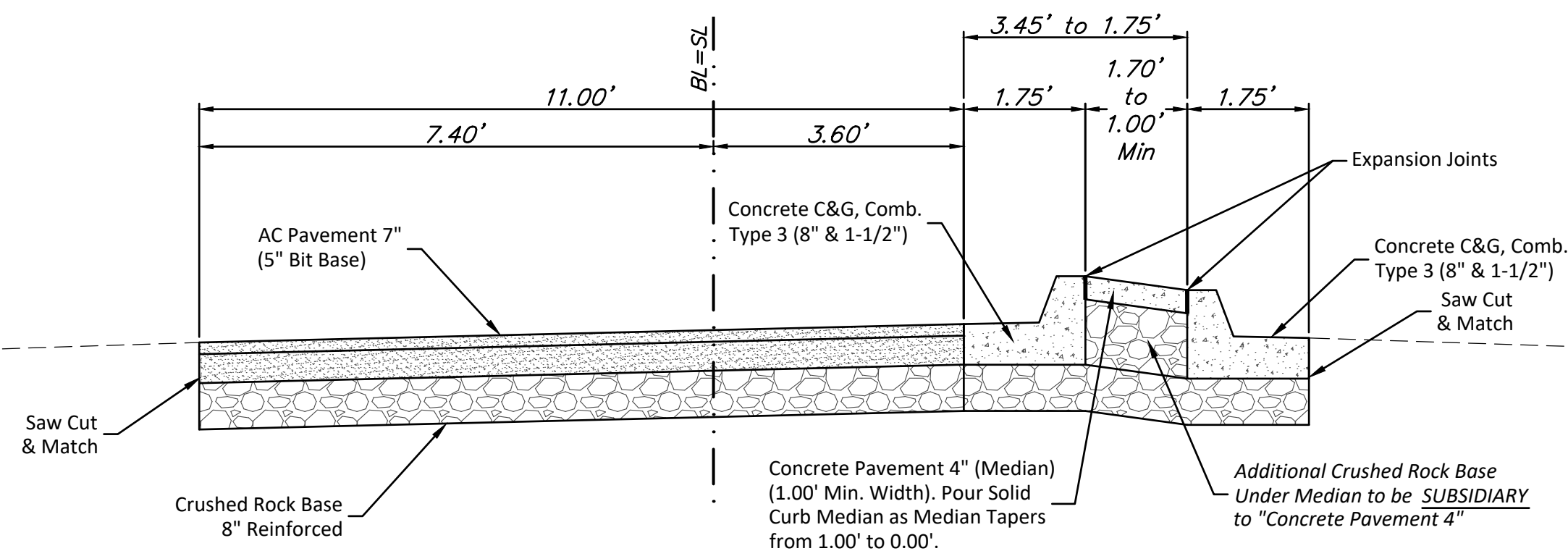


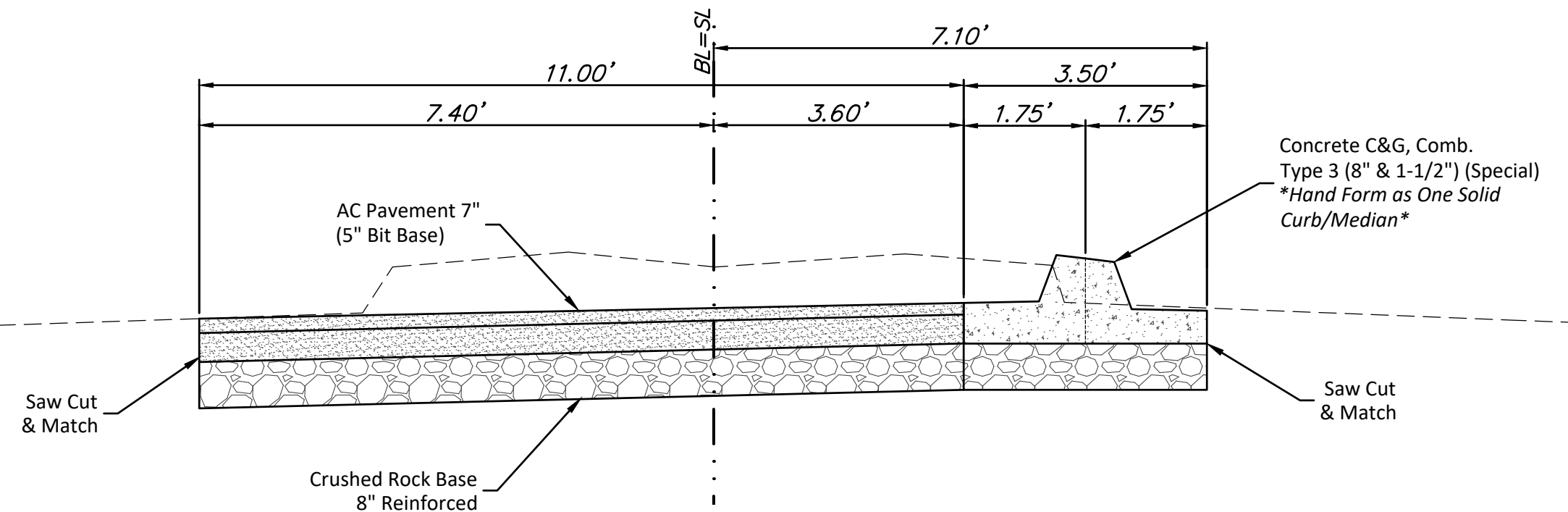
29TH STREET
STA. 52+35.00 to 53+60.00

1" = 2'



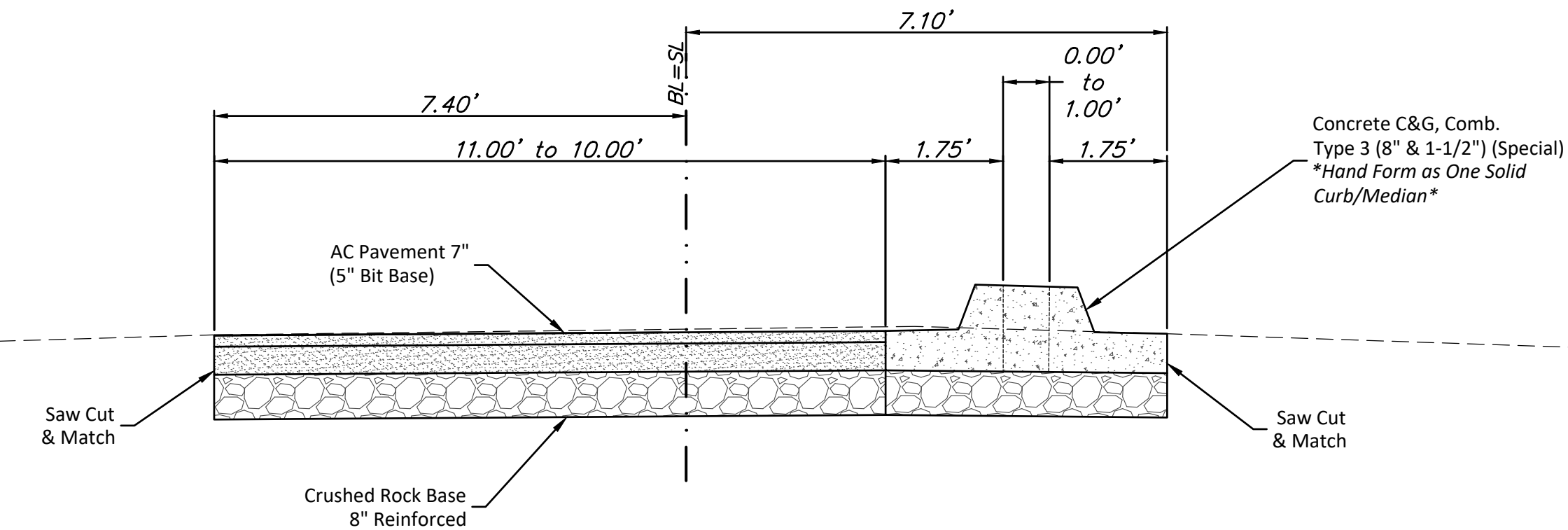
29TH STREET
STA. 53+60.00 to 54+49.24

1" = 2'



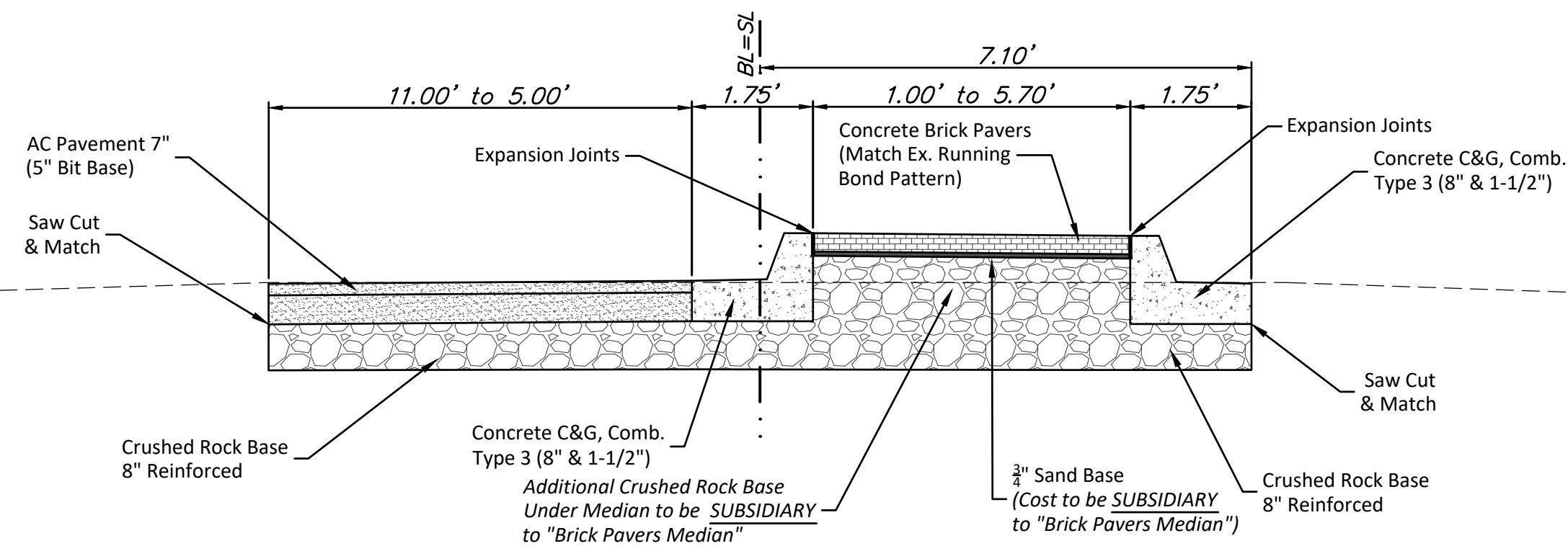
29TH STREET
STA. 54+49.24 to 54+60.49

1" = 2'



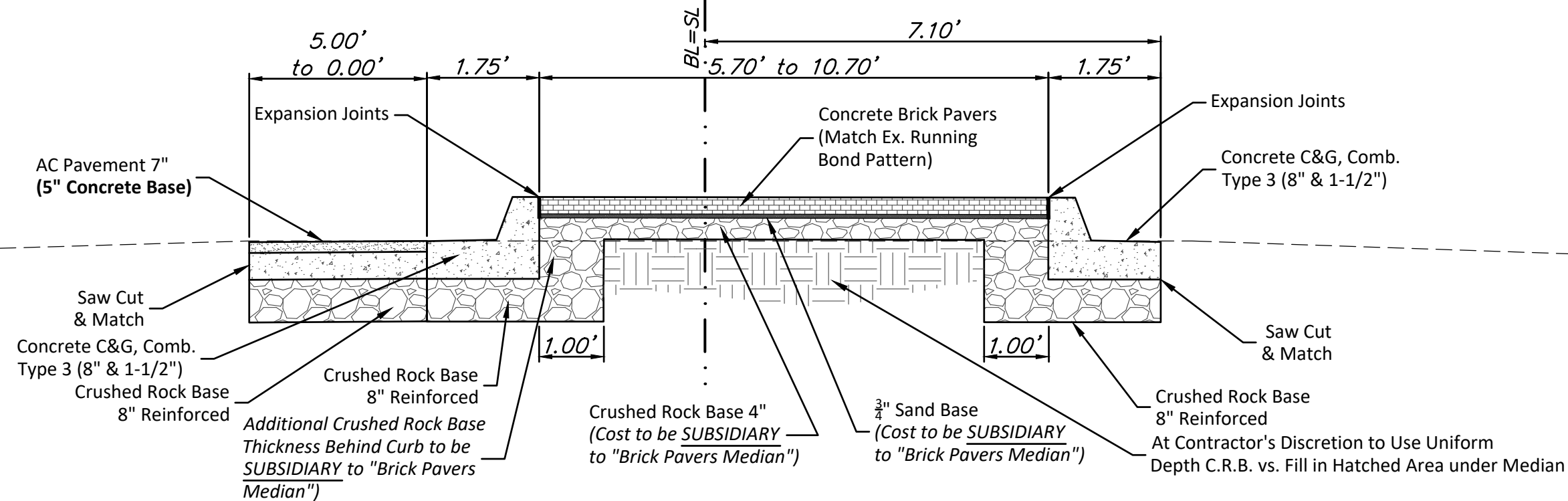
29TH STREET
STA. 54+60.49 to 54+75.10

1" = 2'



29TH STREET
STA. 54+75.10 to 54+99.24

1" = 2'



PAVEMENT SPECS:
 BM-2
 PG 64-22 (Base)
 PG 70-28 (Surface)

PROJECT NUMBER: 472-85412
 INTERNAL NUMBER: 18-12-E137
 DESIGN: LP
 DRAWN: LP
 DATE: Oct, 2019
 SHEET: 10 OF 47
 THE PRODUCTS OF 29TH & MAZE ROAD INTERSECTION
 TYPICAL SECTIONS
 29TH STREET
 PAVING & STORMWATER IMPROVEMENTS
BAUGHMAN COMPANY
 315 Ellis St. Wichita, KS 67211 316-262-7271
 BaughmanCo.com
BAUGHMAN