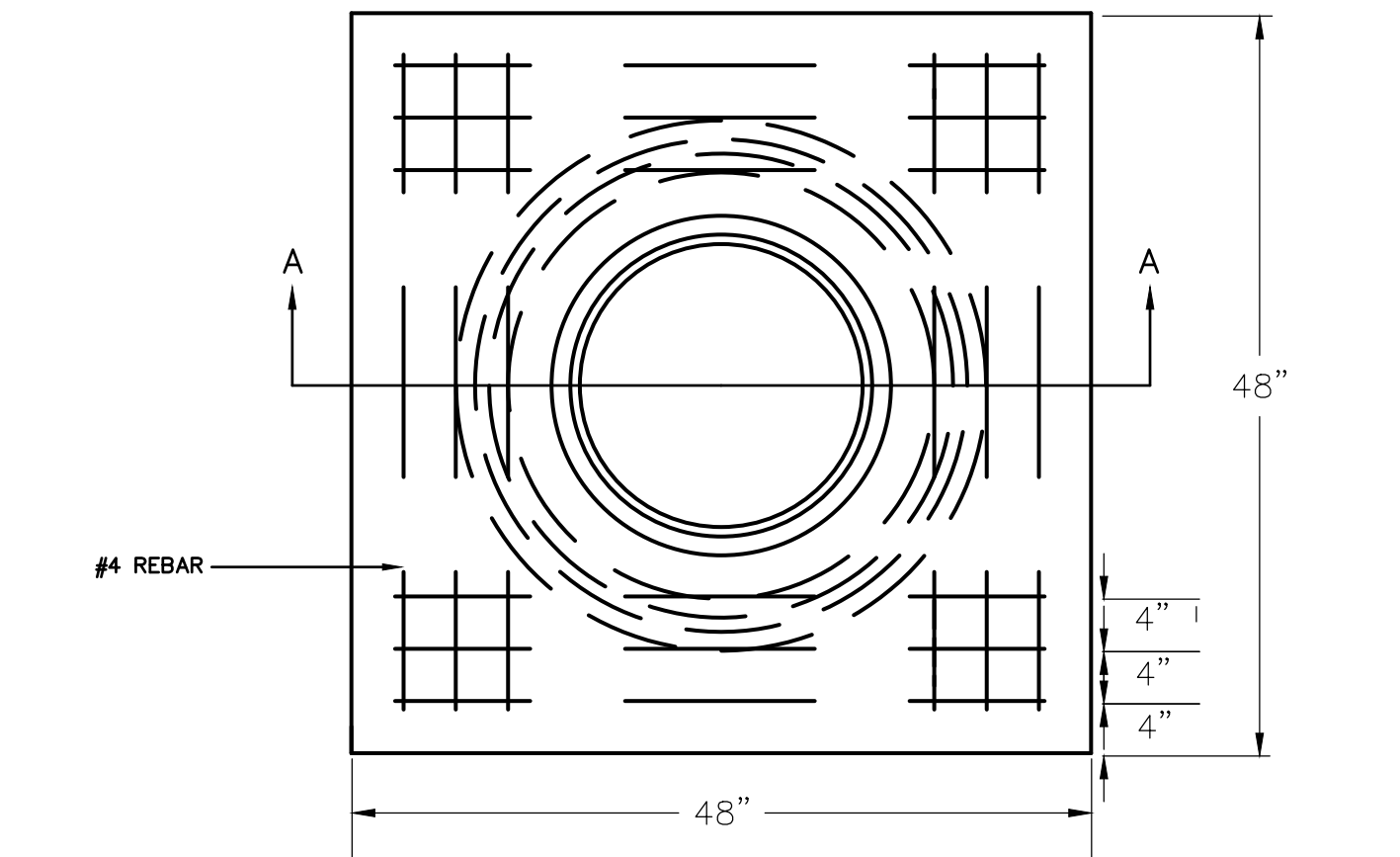
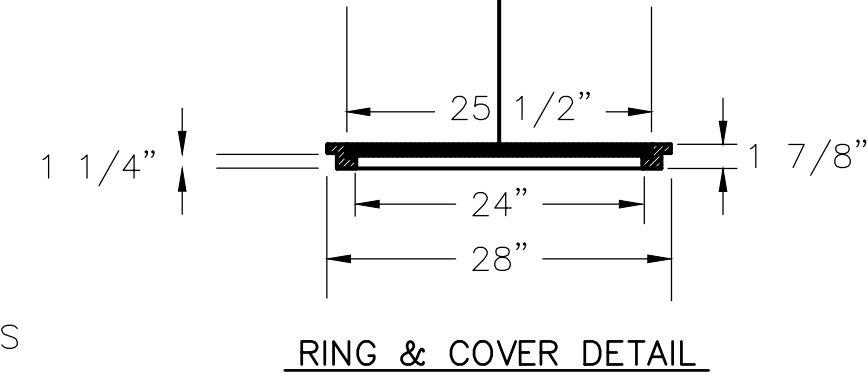
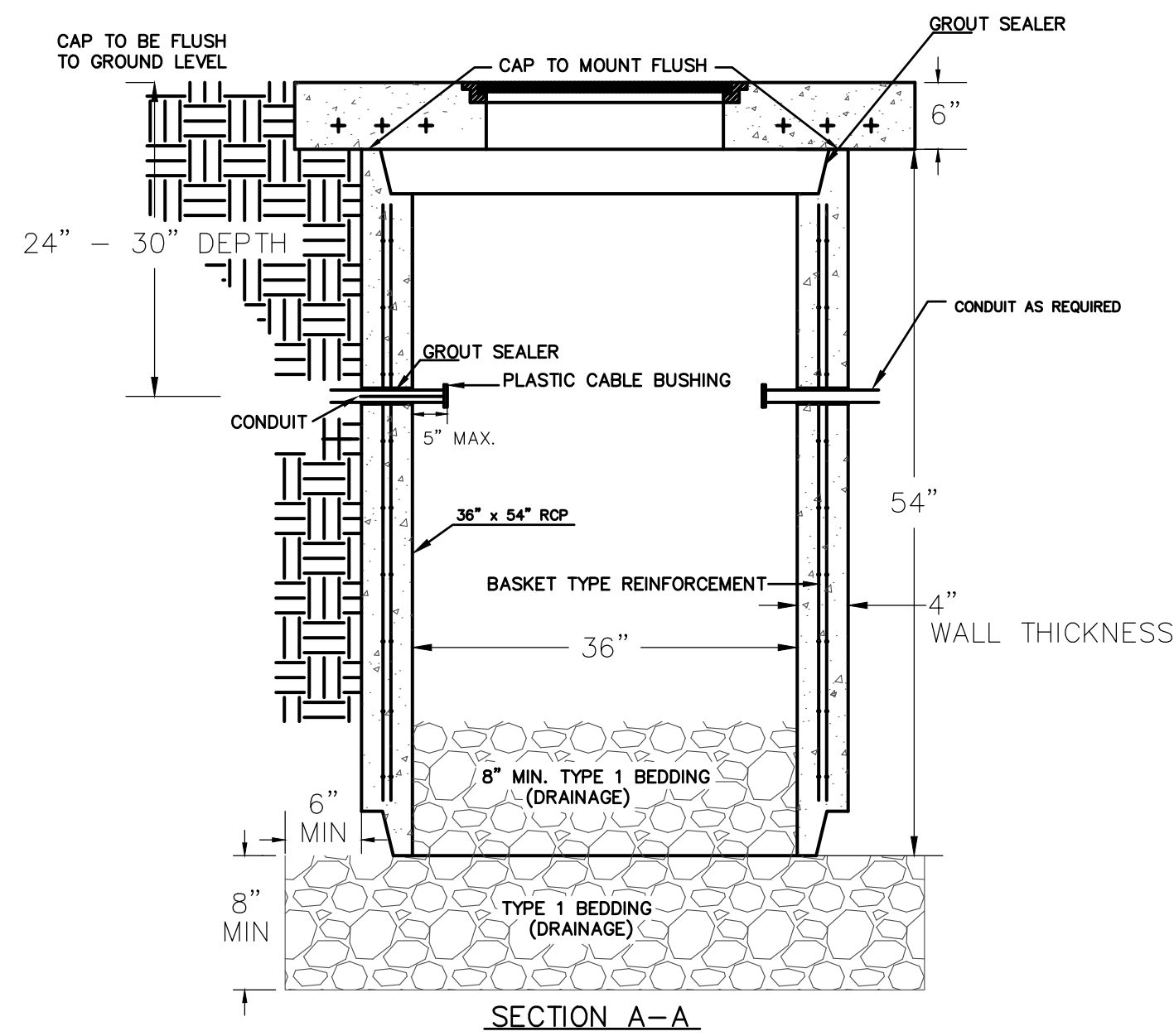
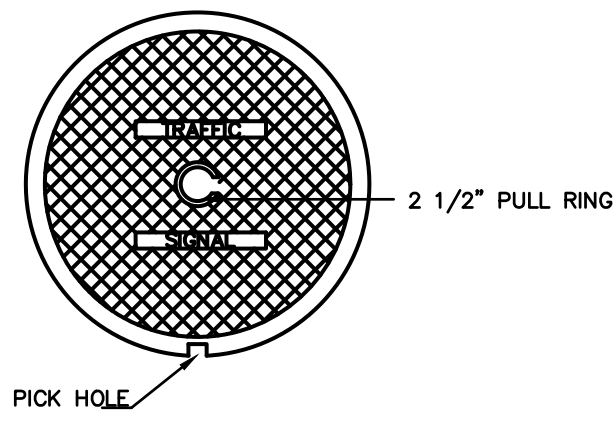


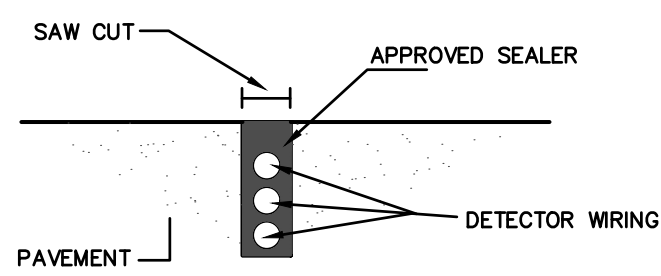
SERVICE BOX CONSTRUCTION/INSTALLATION DETAILS



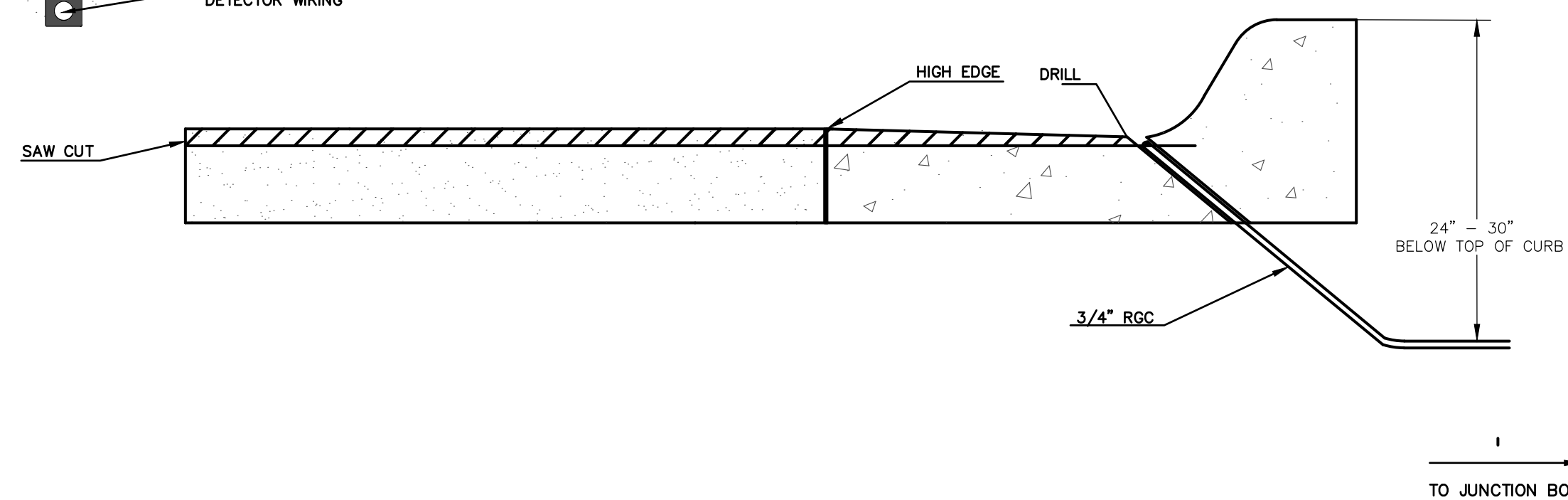
PRE-CAST CONCRETE SERVICE BOX
(36" I.D. X 54" RCP)
with 6" CAP



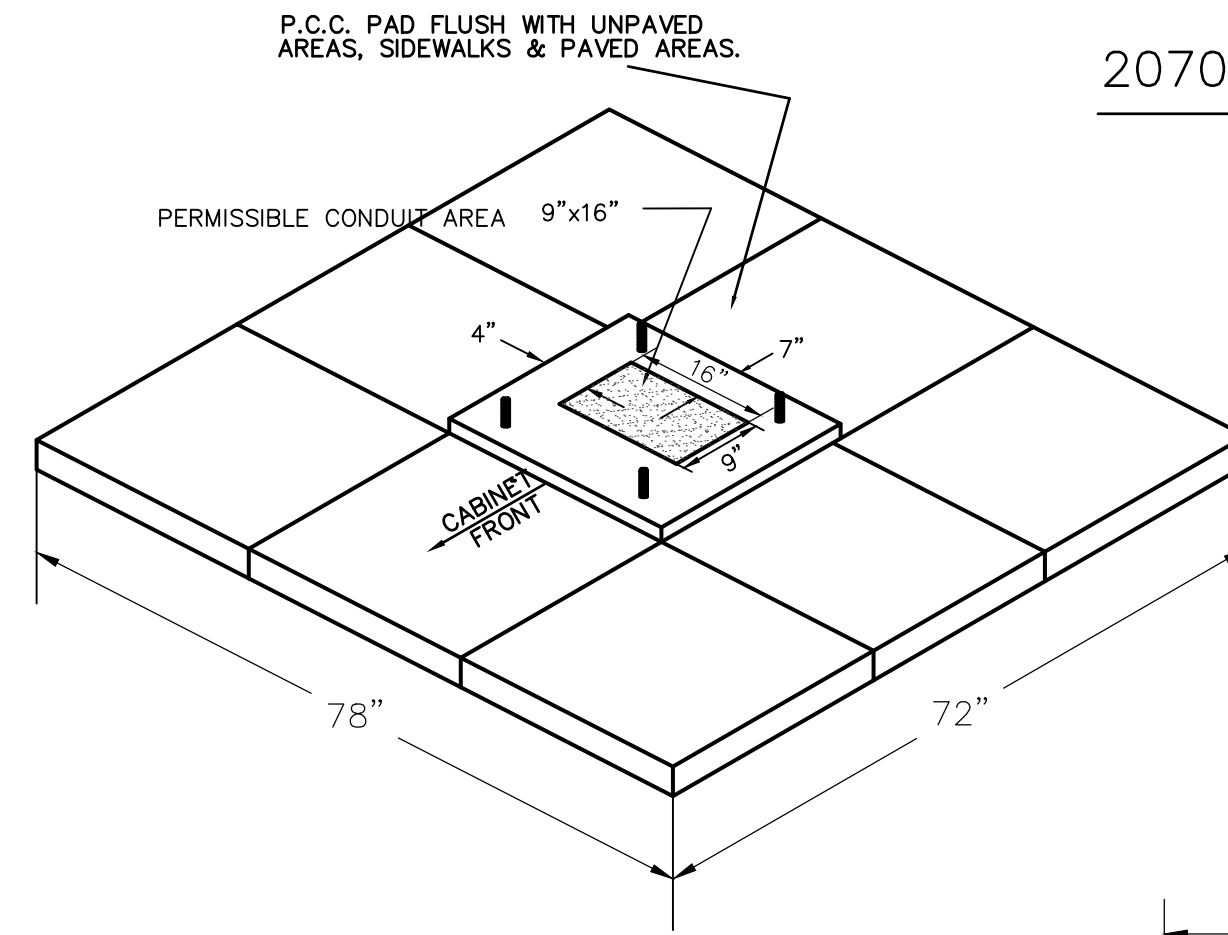
CONDUIT/DETECTOR WIRE INSTALLATION DETAILS



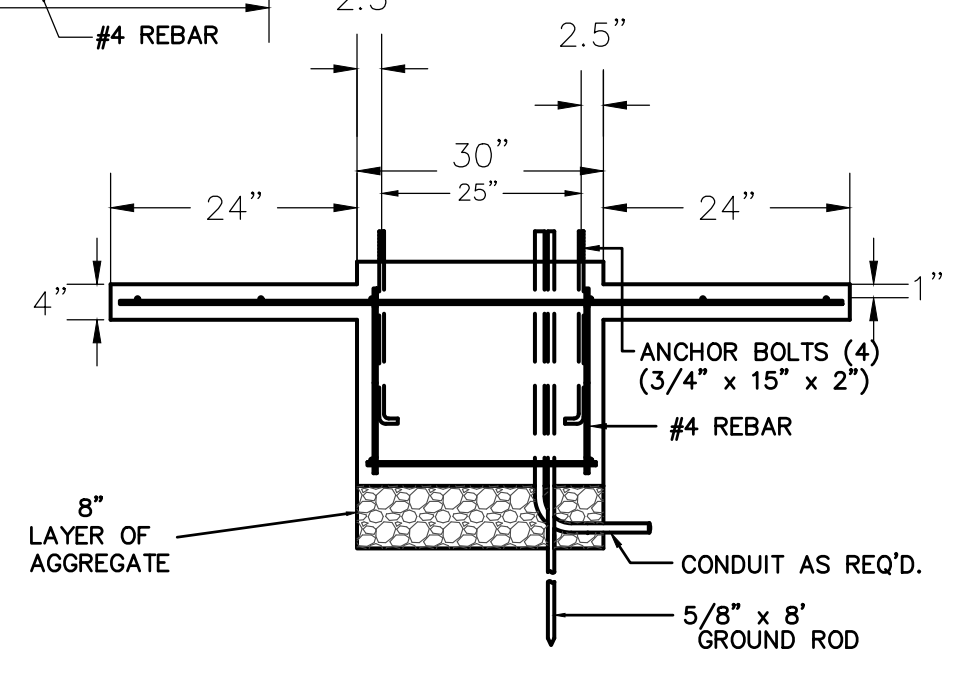
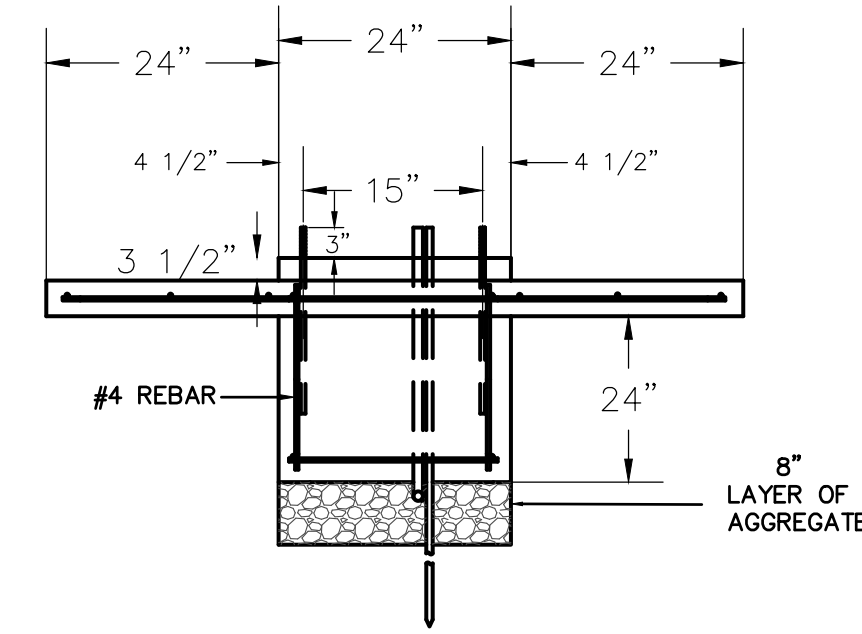
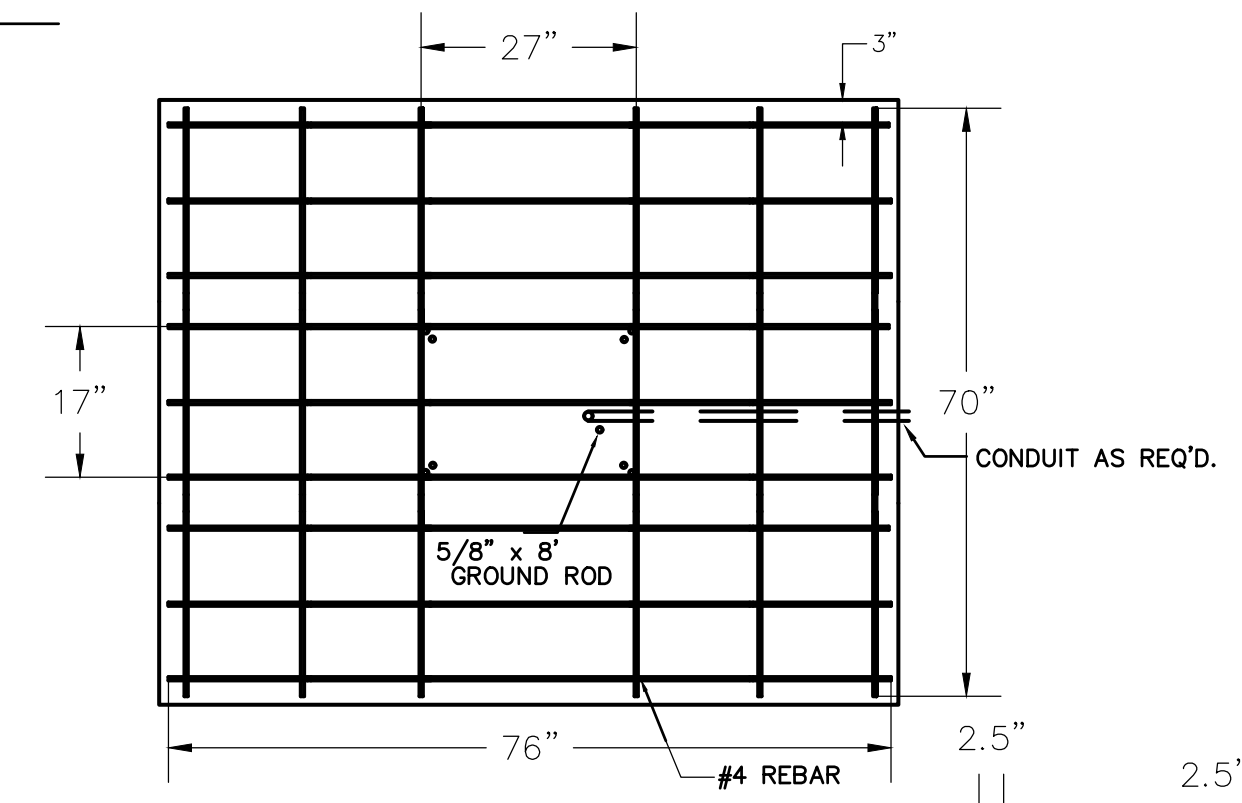
STD. CURB & GUTTER



2070 CONTROLLER PAD DETAILS

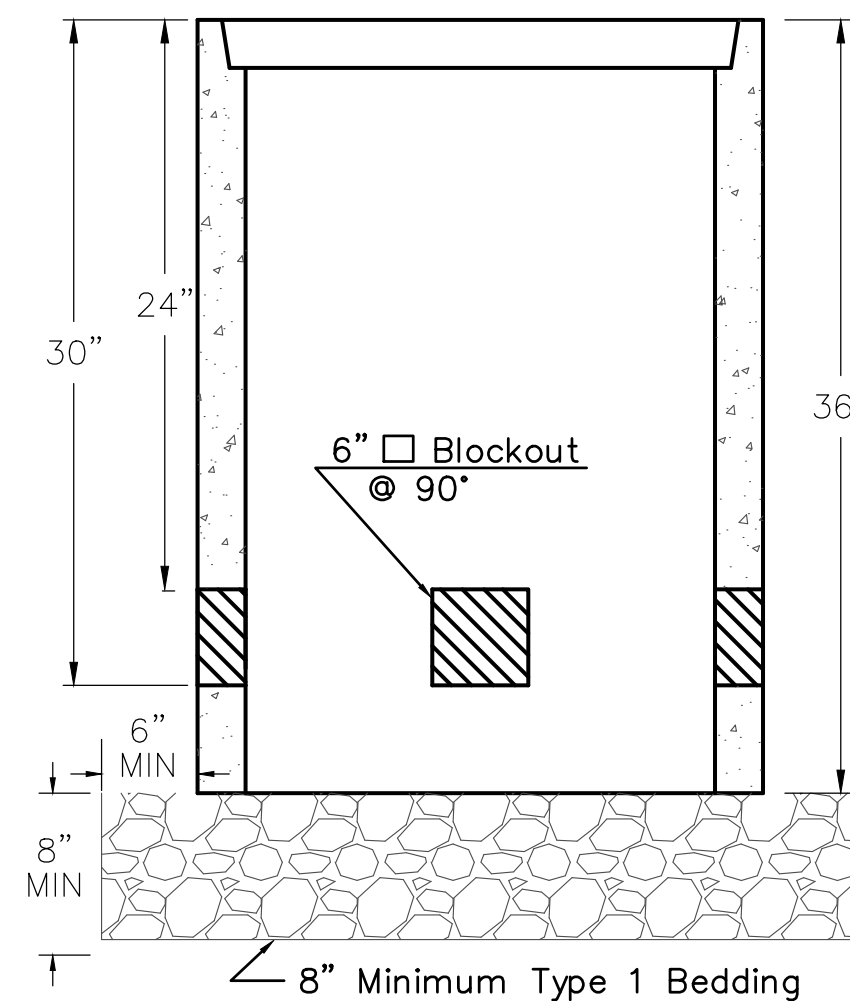


REBAR SHALL BE ASTM A615M GRADE 300 MEETING THE REQUIREMENTS OF SUBSECTION SPECIFICATIONS.

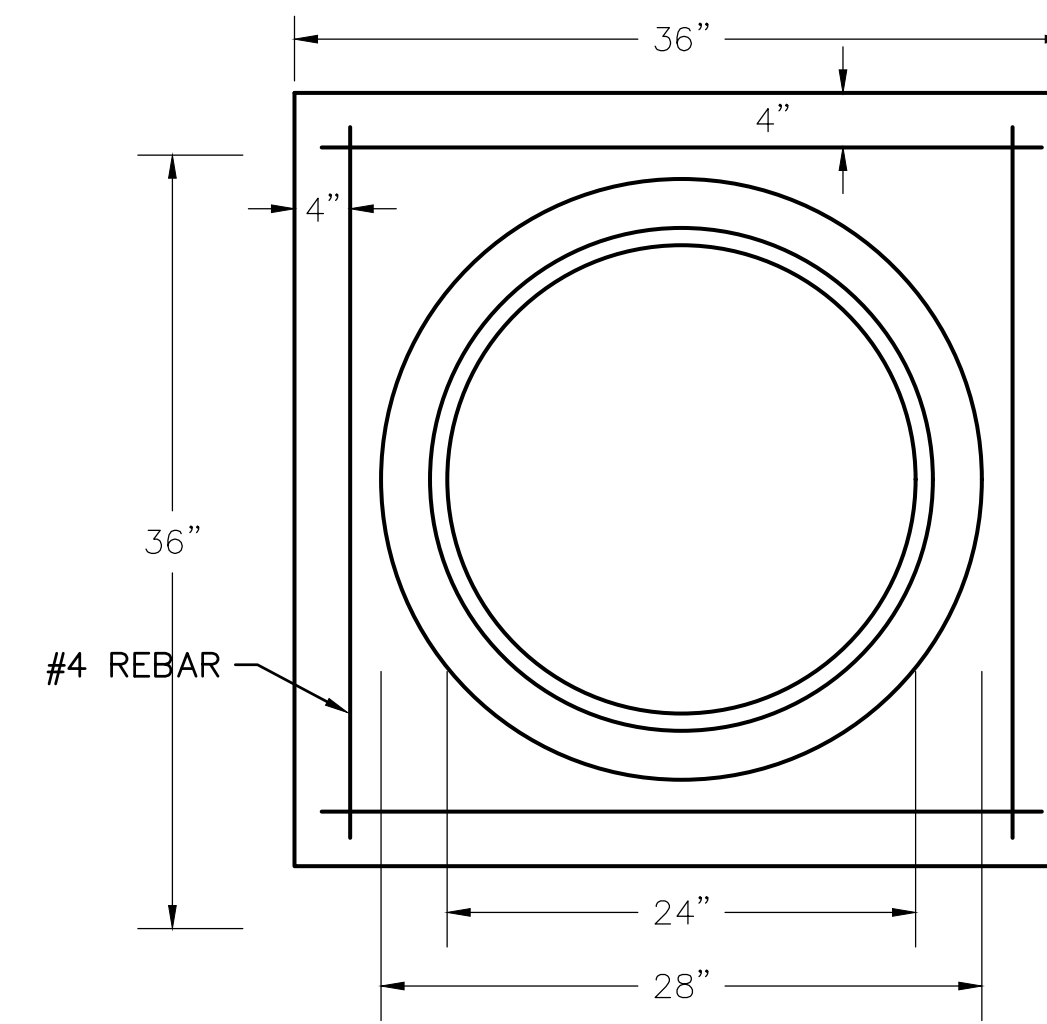


JUNCTION BOX DETAILS

PRE-FAB Junction Box
(24" I.D. X 36" R.C.P.)

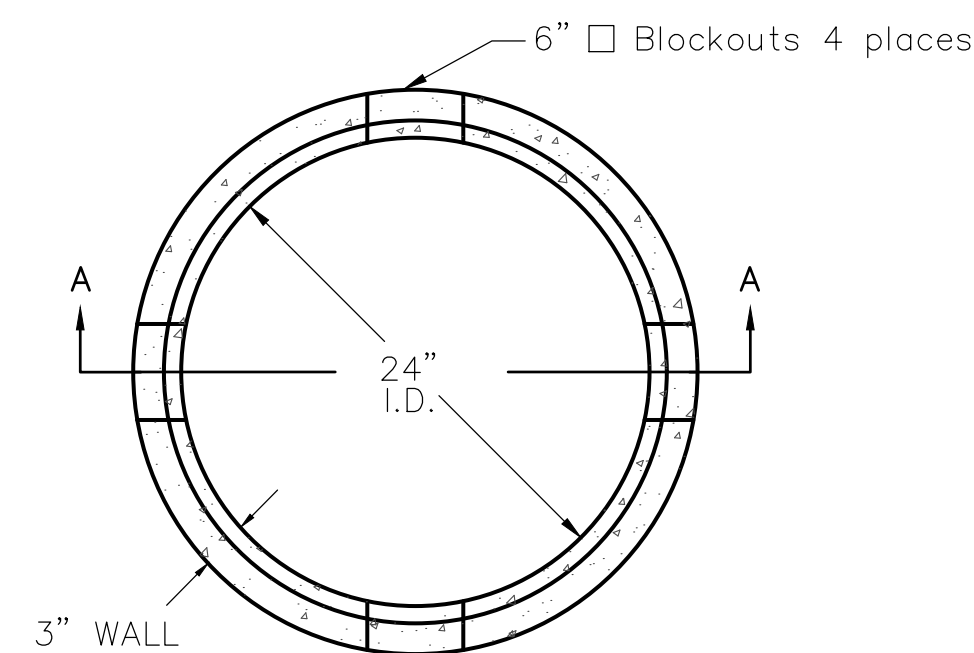


SECTION A-A



JUNCTION BOX CAP

36" x 36" x 6"
TOP OF CAP TO BE FLUSH WITH GROUND LEVEL.



**SEE SERVICE BOX INSTALLATION FOR RING & COVER DETAILS.

NOTES:

SERVICE & JUNCTION BOX:

1. CONDUIT CONNECTION TO BE FLUSH TO WITHIN 5" OF INSIDE FACE OF SIDE WALL, CONDUIT TO DRAIN INTO SERVICE BOX.
2. CONDUIT CONNECTIONS TO SERVICE BOX SHALL BE TERMINATED WITH PLASTIC CABLE BUSHING.
3. CONDUIT SHALL BE SEALED WITH APPROVED SEALER AT INSIDE WALL FACE.
4. ALL SERVICE & JUNCTION BOXES TO HAVE 8" OF CRUSHED ROCK. No 90 degree elbows unless approved by Traffic Maintenance.

TRENCHING:

1. DEPTH TO BE 30" MINIMUM WITH ROCK & STUBBLE FREE BACKFILL TO SERVE AS BEDDING MATERIAL. MAINTAIN MINIMUM CONDUIT DEPTH IN TRENCH.
2. BACKFILL TO BE COMPACTED IN 6" LOOSE LIFTS BY HAND OR MECHANICAL TAMPING TO A 95% STANDARD DENSITY.

CONDUIT:

1. SLOPE CONDUIT TO DRAIN AS DIRECTED BY THE ENGINEER.
 2. 3" RIGID STEEL CONDUIT BTWN. SERVICE BOXES.
2" " " BTWN. SERVICE BOX AND POLE.
1 1/4" " " BTWN. SERVICE & JUNCTION BOXES.
3/4" " " BTWN. JUNCTION BOXES.
3/4" " " BTWN. JUNCTION BOX & DETECTOR LOOP SAW CUT
- No 90 degree elbows unless approved by Traffic Maintenance.

<p>CITY OF WICHITA PUBLIC WORKS & UTILITIES ENGINEERING DIVISION</p>	<p>SERVICE/JUNCTION BOX, CONTROLLER PAD CONSTRUCTION/INSTALLATION</p>		
	<p>TRAFFIC ENGINEER BRIAN COON, P.E.</p>		
	PROJECT NUMBER	OCA NUMBER	DATE
<p>CITY ENGINEER'S OFFICE CITY HALL - SEVENTH FLOOR 455 NORTH MAIN STREET WICHITA, KANSAS 67202-1620 (316) 268-4501</p>			<p>SHEET 21</p>