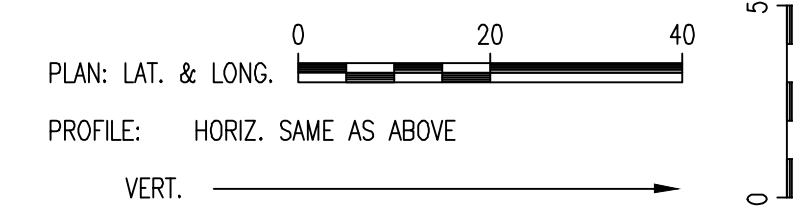


* PRIOR TO BEGINNING CONSTRUCTION, THE CONTRACTOR SHALL EXCAVATE THE EXISTING 8" WATERLINE AT STATION 11+66.26 TO VERIFY PIPE SIZE, TYPE, FITTINGS, AND HORIZONTAL AND VERTICAL LOCATION. THE CONTRACTOR SHALL REPORT HIS FINDINGS TO THE ENGINEER SO THAT ANY NECESSARY PLAN MODIFICATIONS CAN BE MADE. ANY ADDITIONAL LABOR OR MATERIALS NECESSARY TO COMPLETE THE CONNECTION SHALL BE CONSIDERED SUBSIDIARY TO THE PROJECT.

SCALE:



(5000) - SEE SHEET NO. CU103 FOR WATERLINE COORDINATES (TYP.)

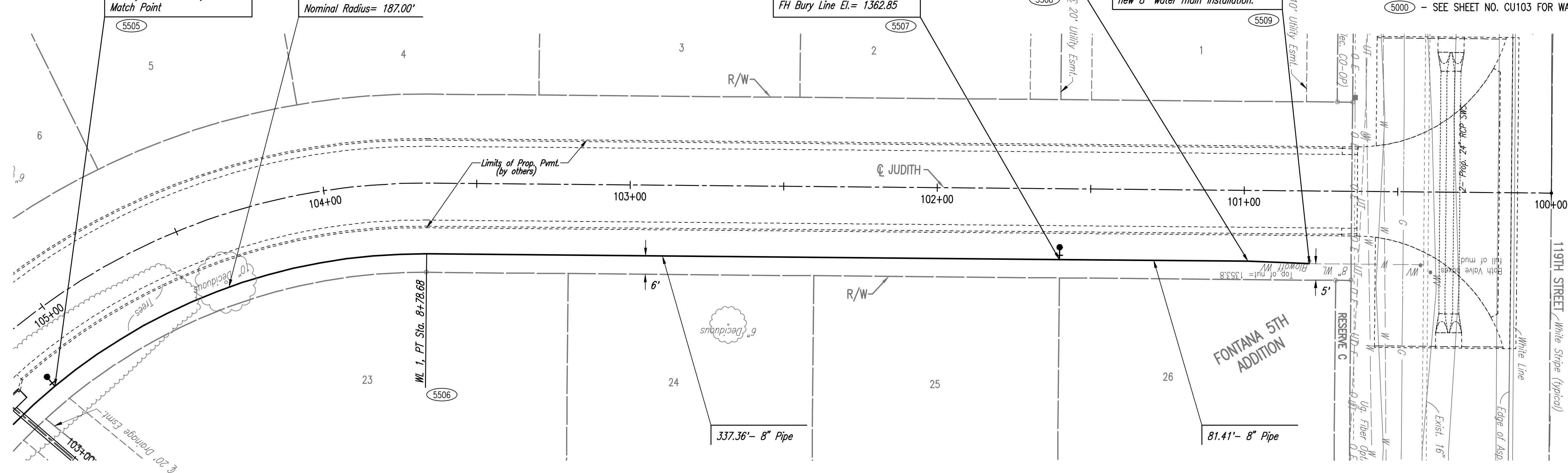
N: 26196.0165, E: 15215.2710
WL 1, Sta. 7+47.49=
Judith, Sta. 105+13.50, 23' L
Fire Hydrant Assembly
Match Point

Nominal Radius= 187.00'

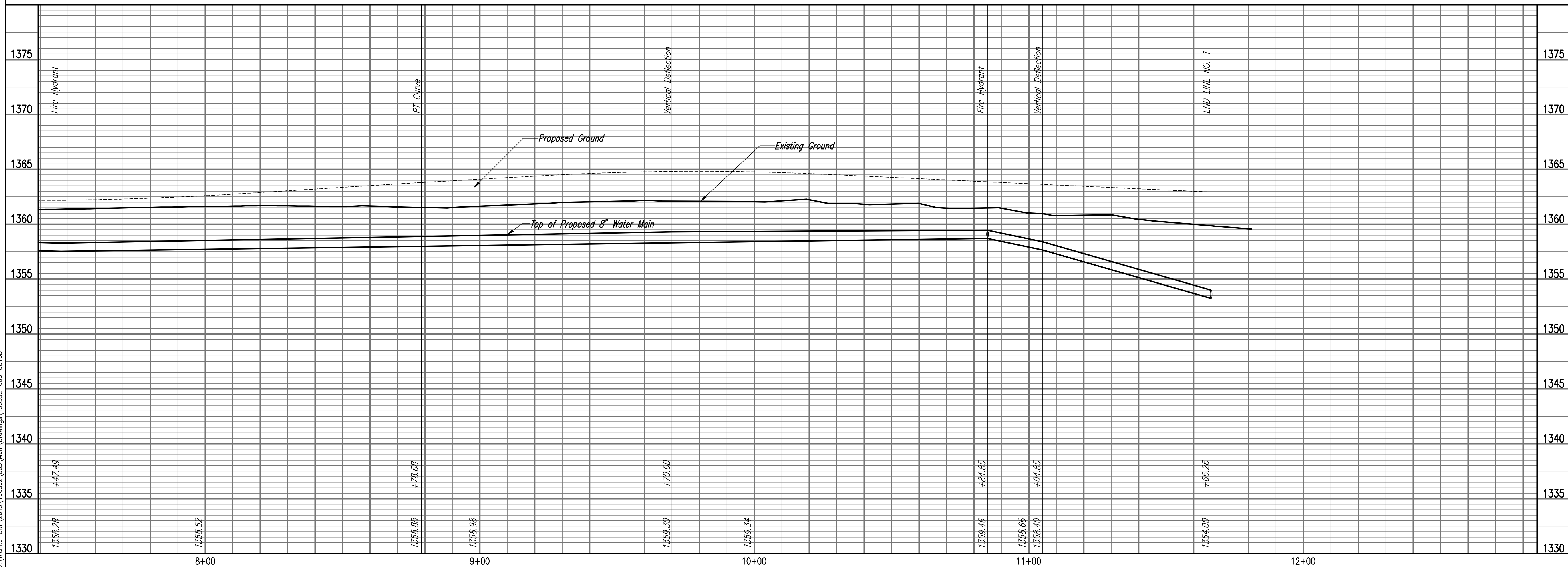
N: 26154.7385, E: 14888.0289
WL 1, Sta. 10+84.85=
Judith, Sta. 101+60.00, 23' L
1- Fire Hydrant Assembly
L= 4'
Top Valve Box El.= 1362.90
FH Bury Line El.= 1362.85

N: 26155.2799, E: 14826.6206
WL 1, Sta. 11+46.26=
Judith, Sta. 100+98.59, 23' L
Horizontal Deflection
Defl.= 1'54'46"

N: 26156.1238, E: 14806.6385
WL 1, Sta. 11+66.26=
Judith, Sta. 100+78.60, 24' L
Existing Blowoff Assembly *
Remove Blowoff Assembly and begin
new 8" water main installation.



WATERLINE NO. 1



Saved: 02-17-2020 1:00:55 PM by: KURTIS DEWAT
 Plot: 02-17-2020 1:01:20 8483.dwg
 U:\Wichita-Civil\2019\190592\003\Main\Drawings\190592-003-CU108



WATERLINE IMPROVEMENTS
TO SERVE

FONTANA 5TH - PHASE 2

GARY LANZEN, P.E., CITY ENGINEER
CITY OF WICHITA, PROJECT NO. 448-90429
OCA NO. 735657

Issue:		
JOB NO.	35-190592-003-042	
DATE	FEBRUARY 2020	
PM	TBK	
DESIGNED BY	TBK	
DRAWN BY	KTD	
CHECKED BY	RWG	

WATERLINE NO. 1

CU108