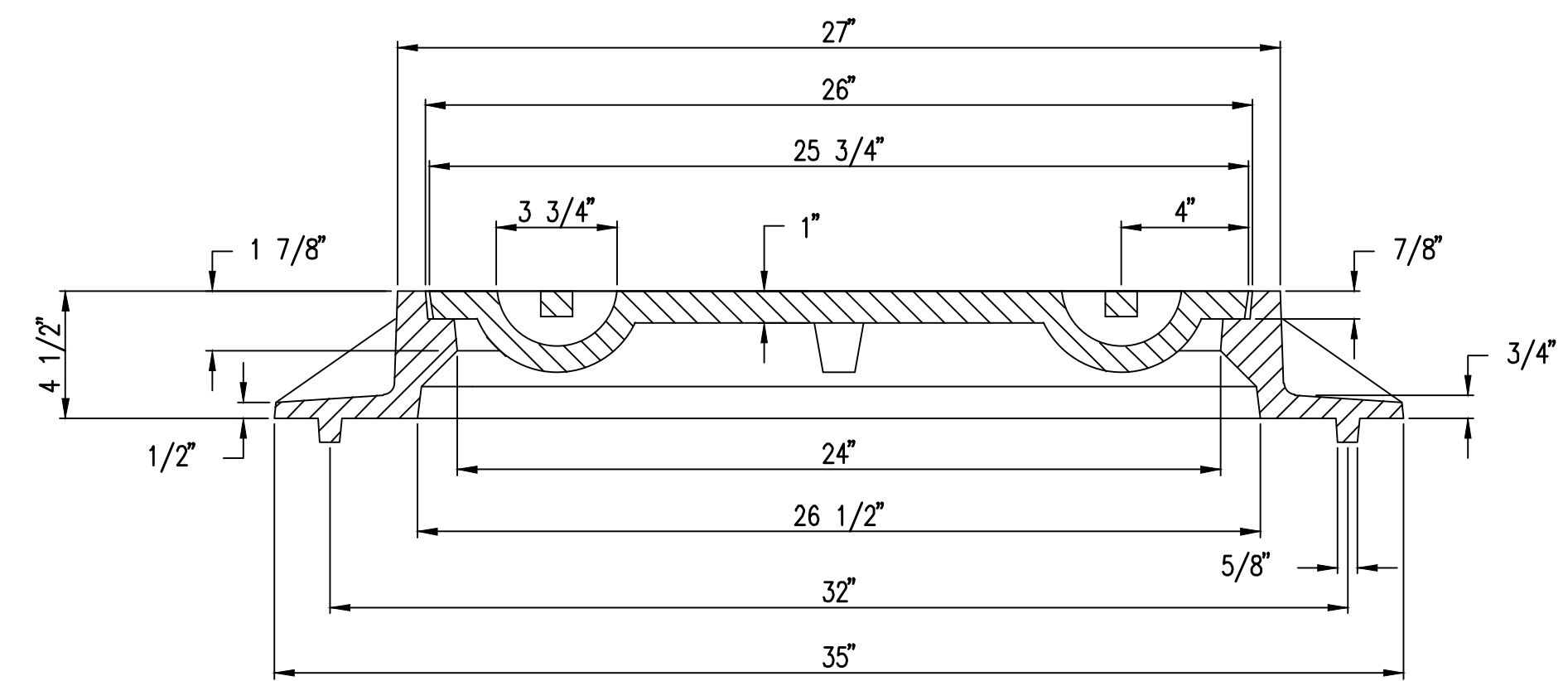
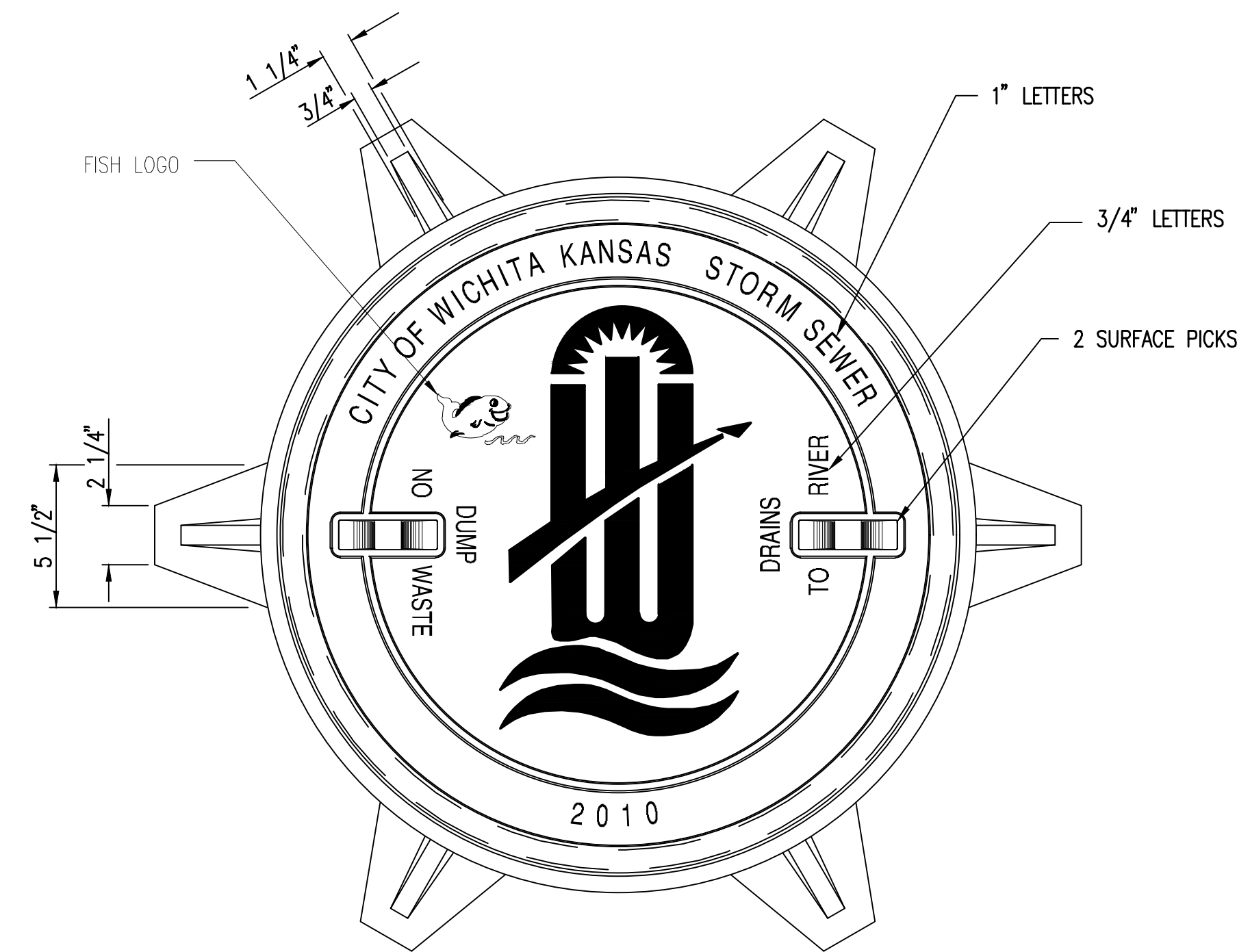


**MANHOLE FRAME**  
**DEETER #1261 OR EJIW #1936-Z1**

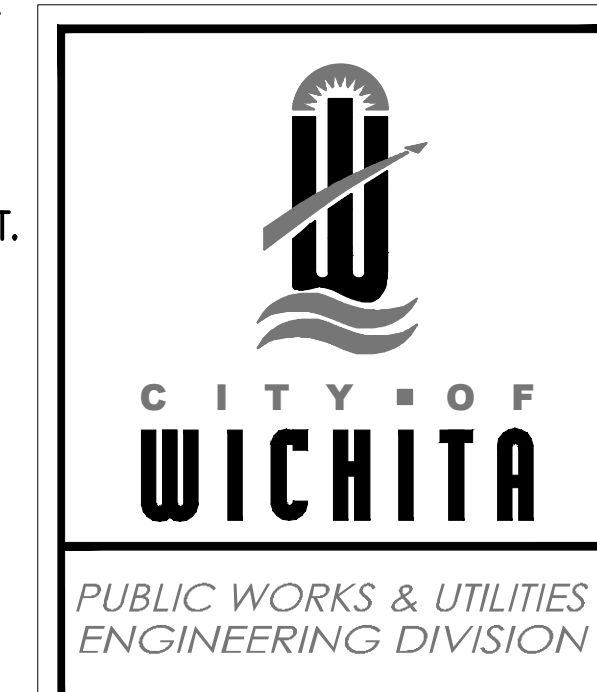
- NOTE:
1. FURNISHED WITH MACHINED HORIZONTAL BEARING SURFACE.
  2. COVER TO BE DEETER #1261 OR EJIW #1936A.



**INLET FRAME**  
**DEETER #2014 OR EJIW #1936-Z4**

- NOTE:
1. FURNISHED WITH MACHINED HORIZONTAL BEARING SURFACES.
  2. NOT TO BE USED UNDER PAVEMENT.
  3. COVER TO BE DEETER #1261 OR EJIW #1936A.

Sheet: 02-06-2010, 7:34:06 PM, by: BJS  
 Plot: Scale: 1:1, 02-21-2010, 11:41:28 AM, by: BILL SEXSON, CET  
 U:\Wichita-Civil\2010\1906592\000\Mult-Trans\Drawings\1906592-000-23-CP507-MANHOLE-INLET FRAME AND COVER DETAILS



<b>MANHOLE/INLET FRAME AND COVER (STORM SEWER)</b>		
CITY ENGINEER <b>GARY JANZEN, P.E.</b>		
PROJECT NUMBER <b>472-84802</b>	OCA NUMBER <b>766486</b>	DATE <b>11/2010</b>
CITY ENGINEER'S OFFICE CITY HALL - SEVENTH FLOOR 455 NORTH MAIN STREET WICHITA, KANSAS 67202-1620 (316) 268-4501		SHEET <b>CP507</b> 22 OF 42