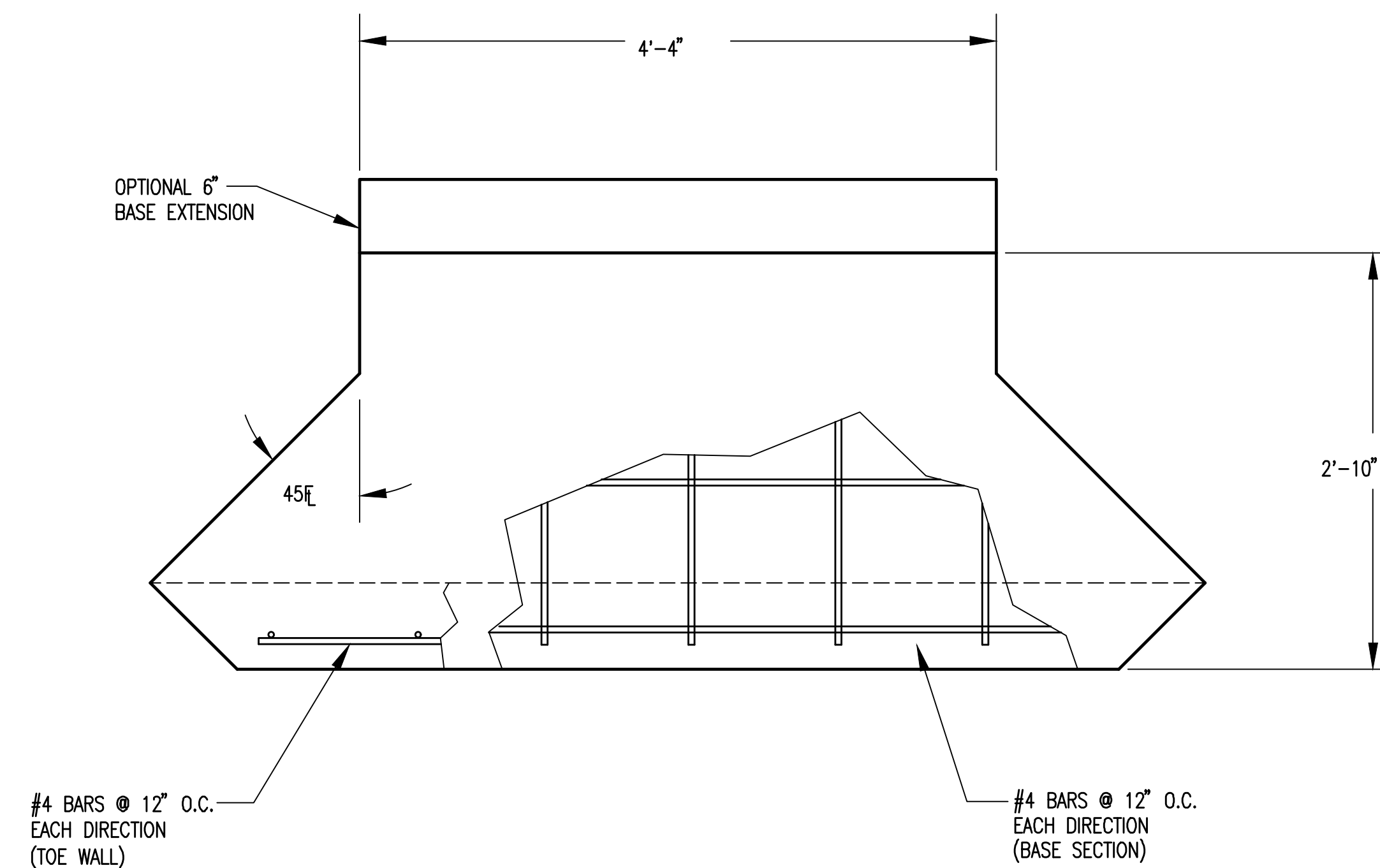
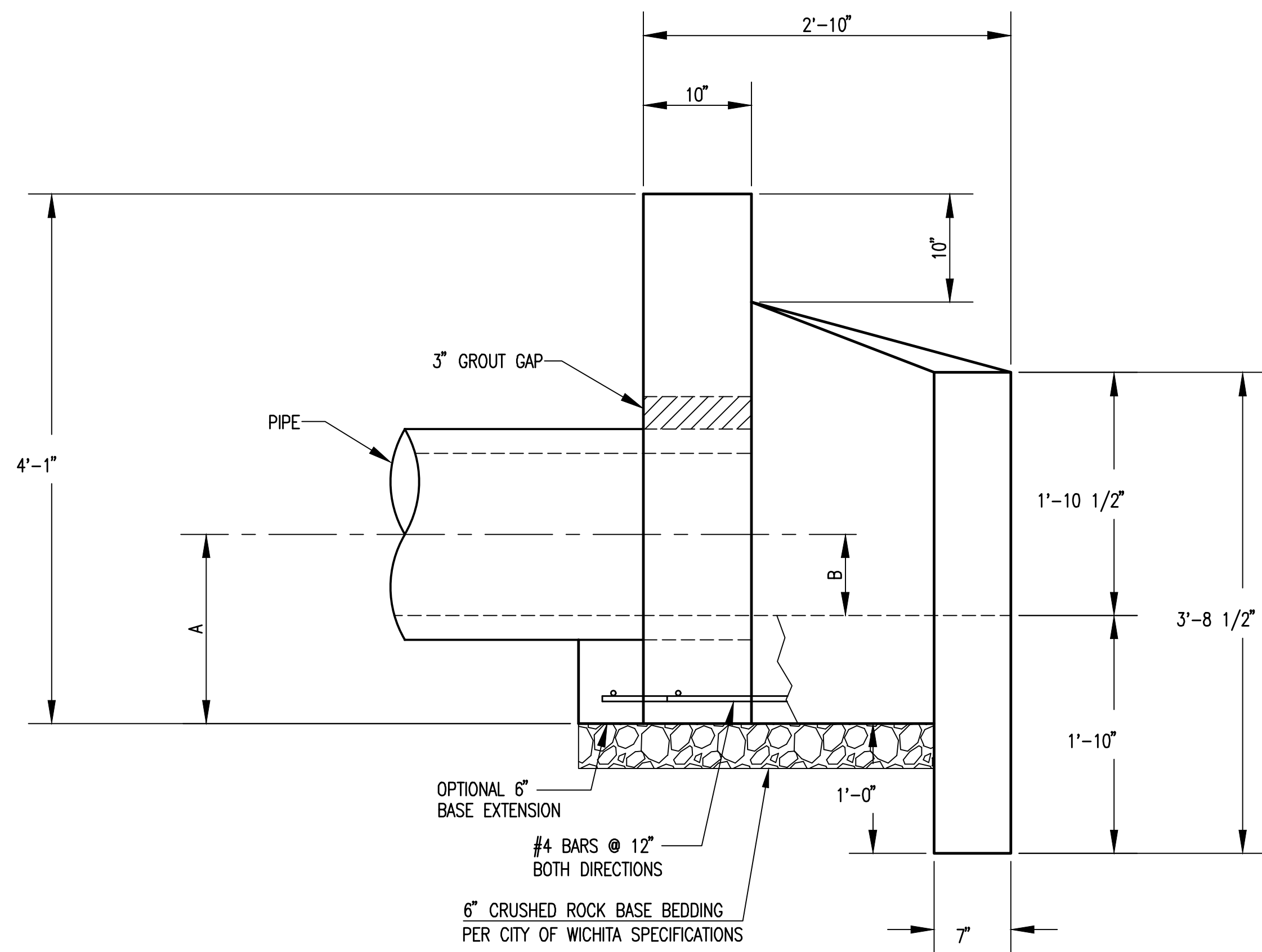


PLAN VIEW

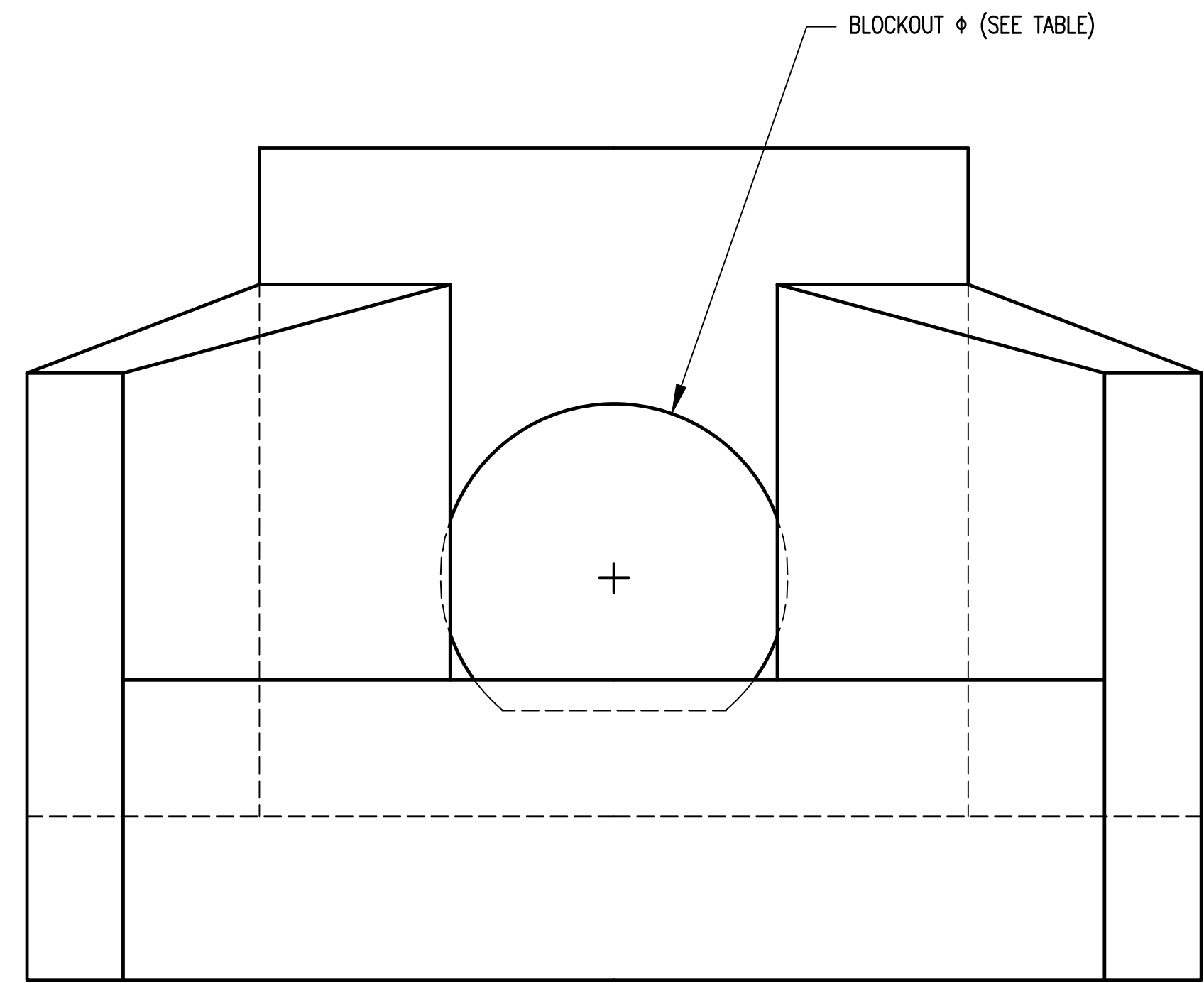


**PLAN VIEW
BASE**

| PIPE ϕ | A | B | BLOCKOUT ϕ |
|-------------|-----------|--------|-----------------|
| 15" | 1'-5 1/2" | 7 1/2" | 2'-1 1/2" |
| 18" | 1'-7" | 9" | 2'-5" |
| 24" | 1'-10" | 1'-0" | 3'-0" |



ELEVATION



FRONT VIEW

HEADWALLS, AS SHOWN, WILL NOT SUPPORT FLAP GATE.



**HEADWALL
DETAILS FOR
15", 18", AND 24" PIPE**

CITY ENGINEER
GARY JANZEN, P.E.

| | | |
|------------------------------------|-----------------------------|------------------------|
| PROJECT NUMBER 472-84802 | OCA NUMBER 766486 | DATE 11/2010 |
|------------------------------------|-----------------------------|------------------------|

CITY ENGINEER'S OFFICE
CITY HALL - SEVENTH FLOOR
455 NORTH MAIN STREET
WICHITA, KANSAS 67202-1620
(316) 268-4501

SHEET
CP508
23 OF 42

Created: 02-06-2010 7:35:00 PM by: BJS
 Plot Date: 11-02-2010 11:41:53 AM by: BILL SEKSONAL CET
 U:\Wichita-Civil\2010\190659\000\Drawings\190659-000-24-CP508-HEADWALL DETAILS FOR 24 PIPE