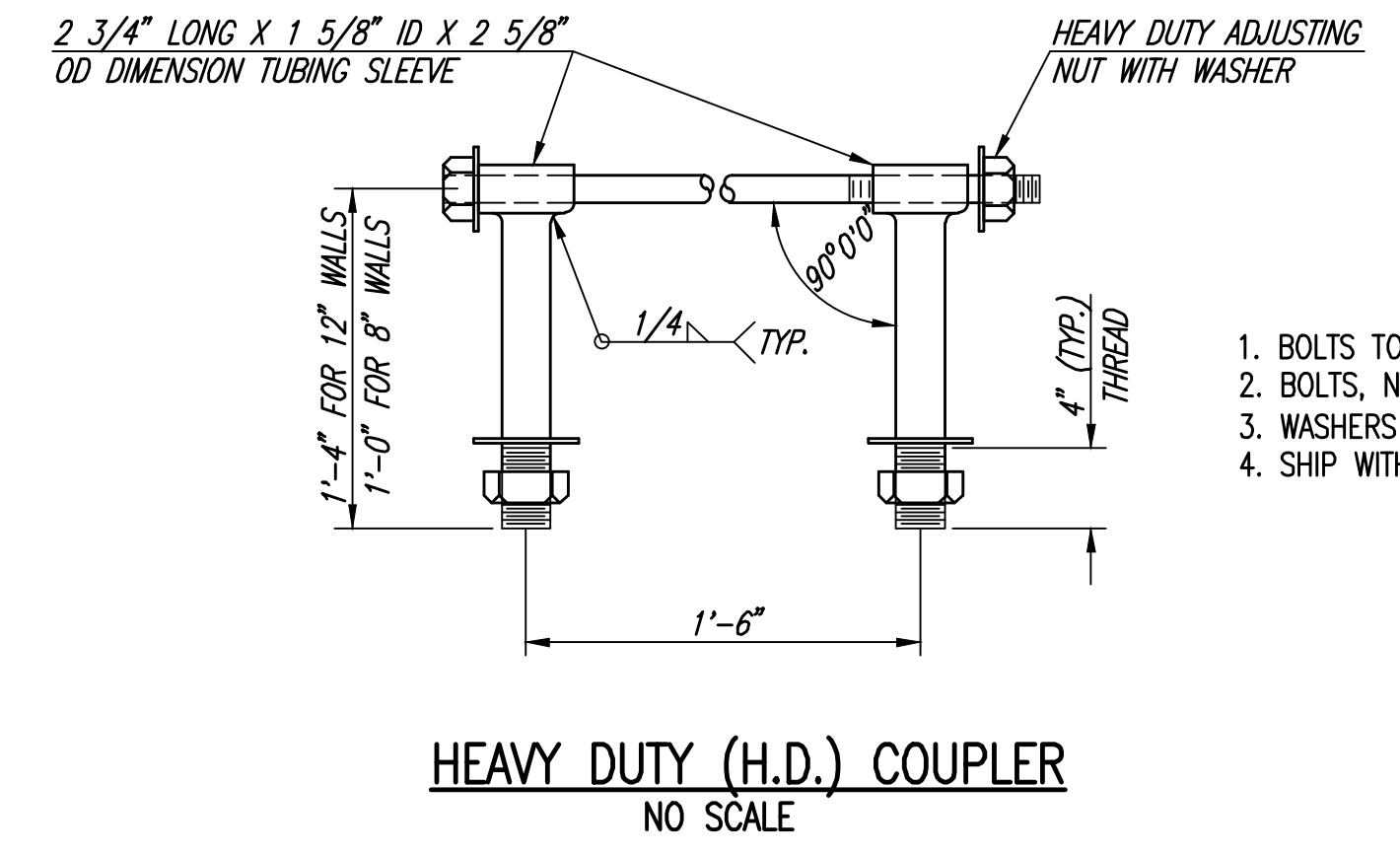
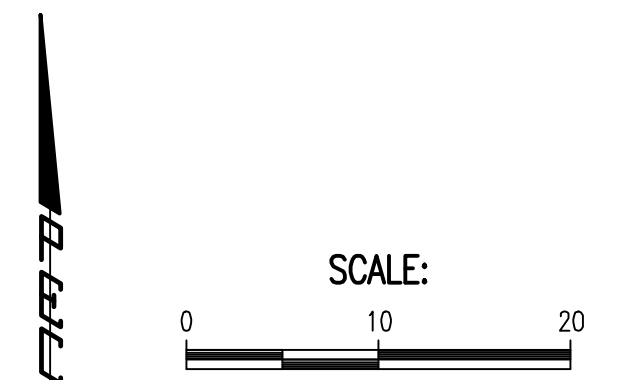
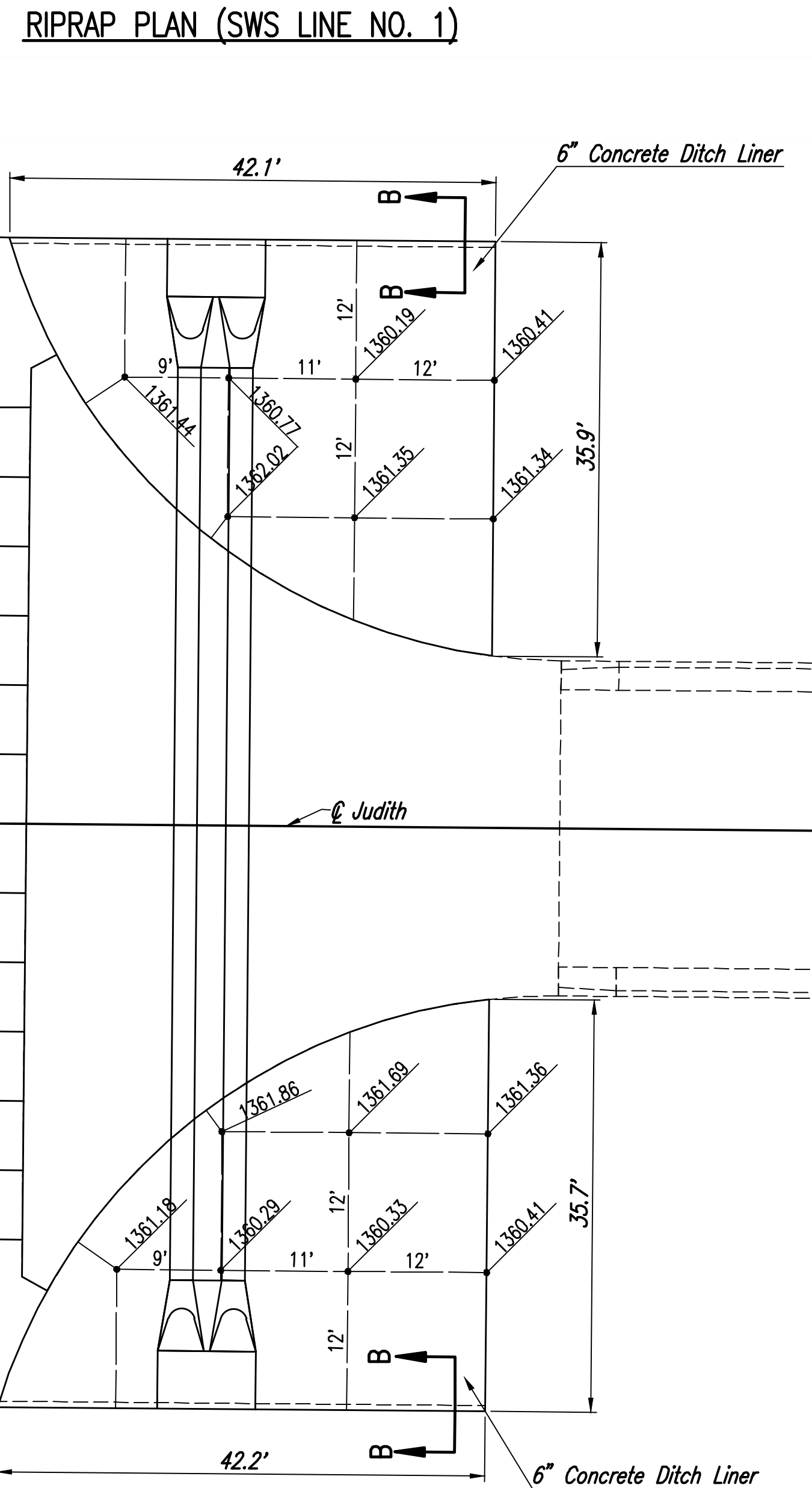
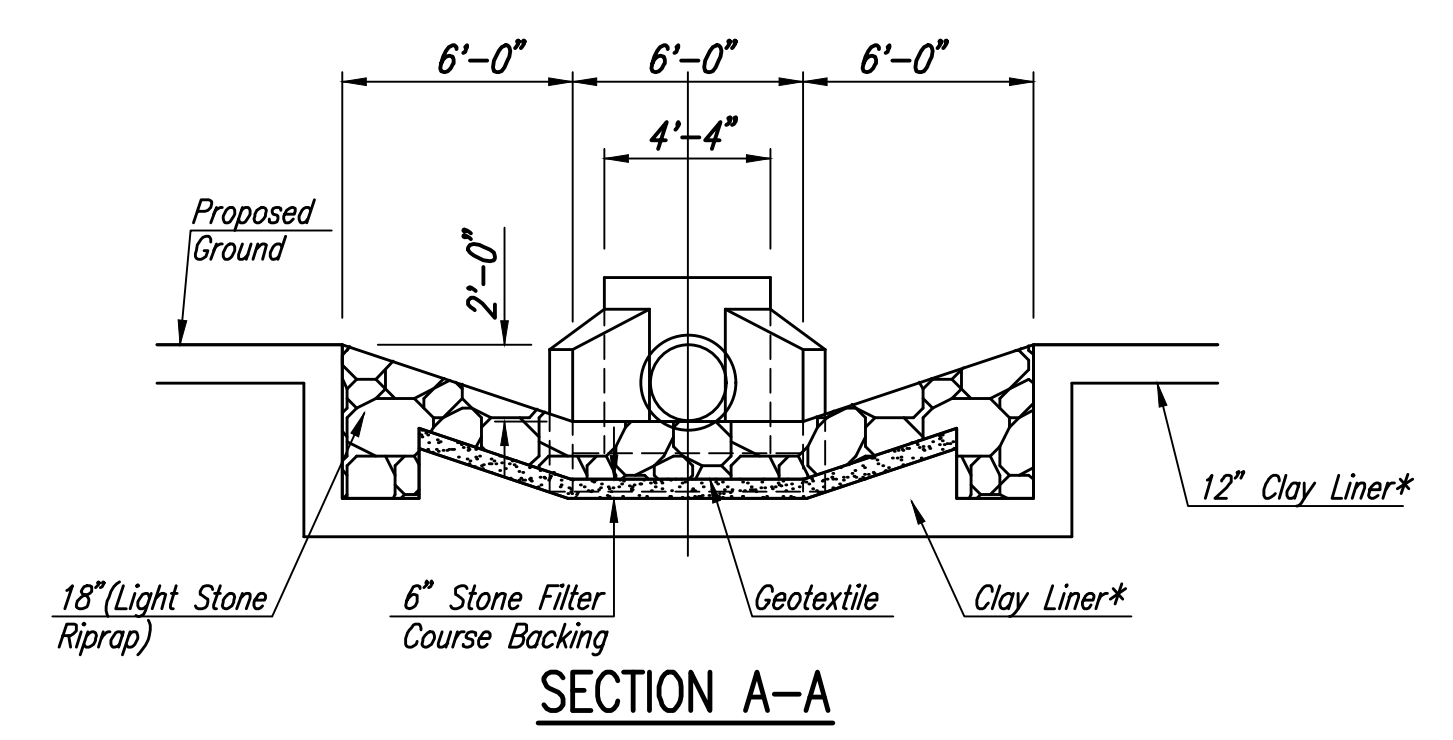
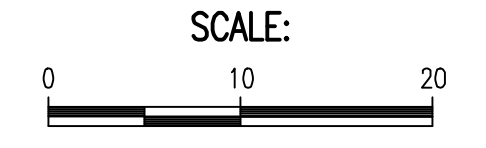
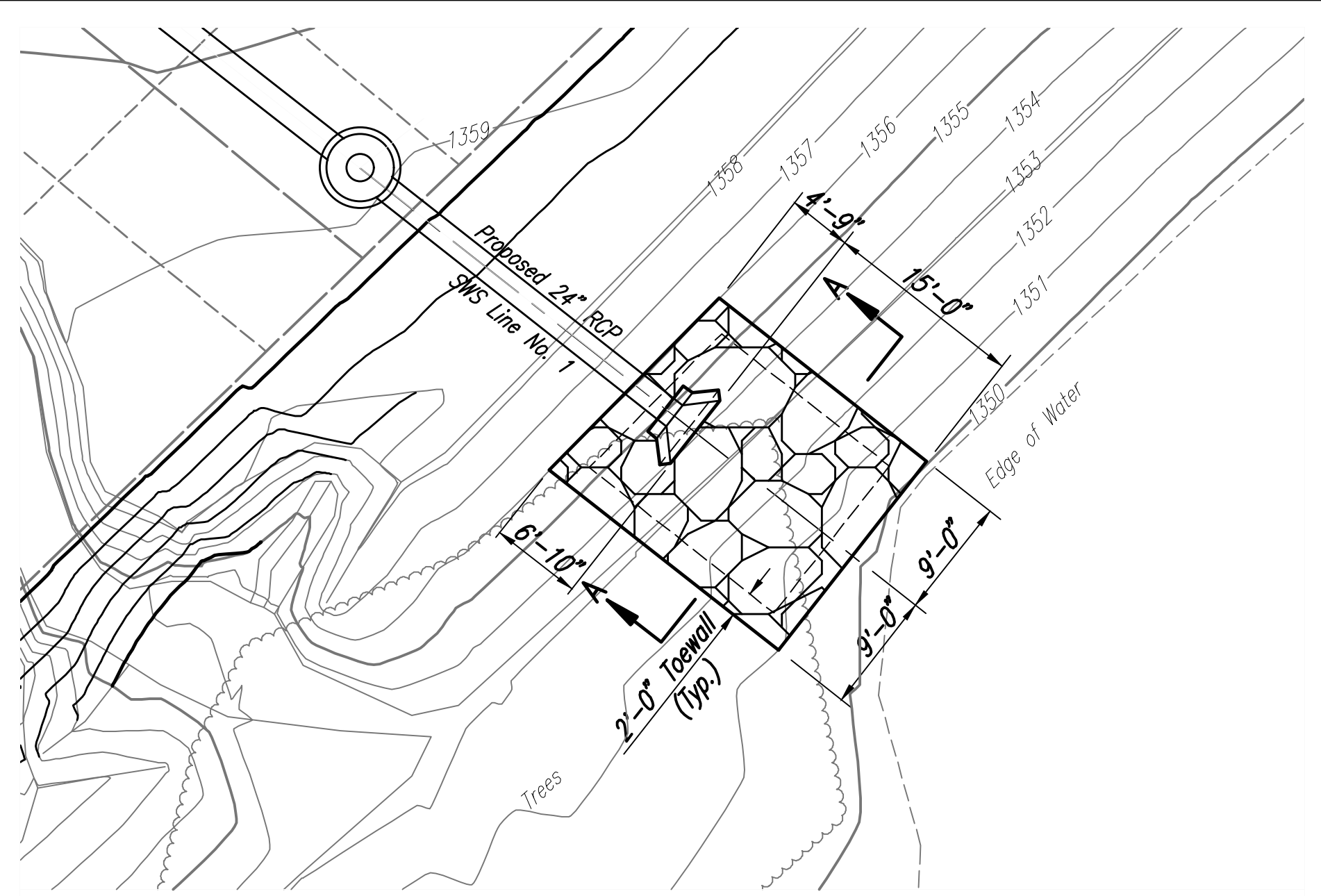


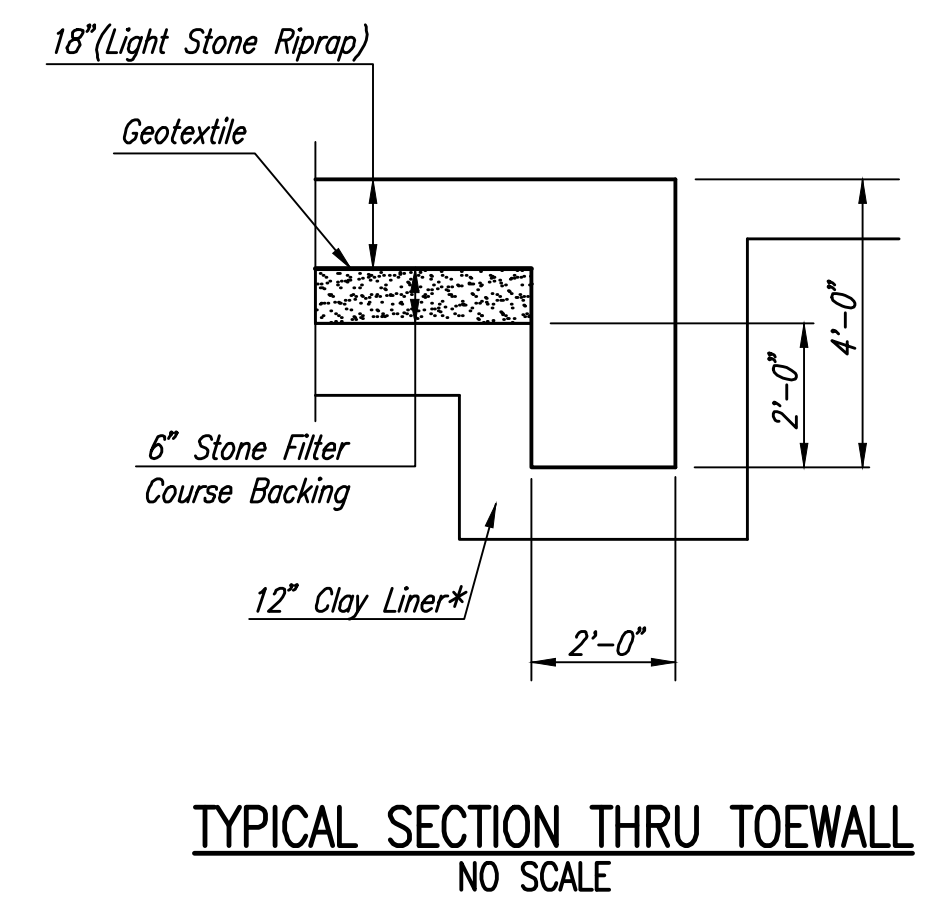
Issue:	

JOB NO.	190592-000
DATE	FEBRUARY 2020
PM	BMM
DESIGNED BY	AKL
DRAWN BY	BJS
CHECKED BY	RJS

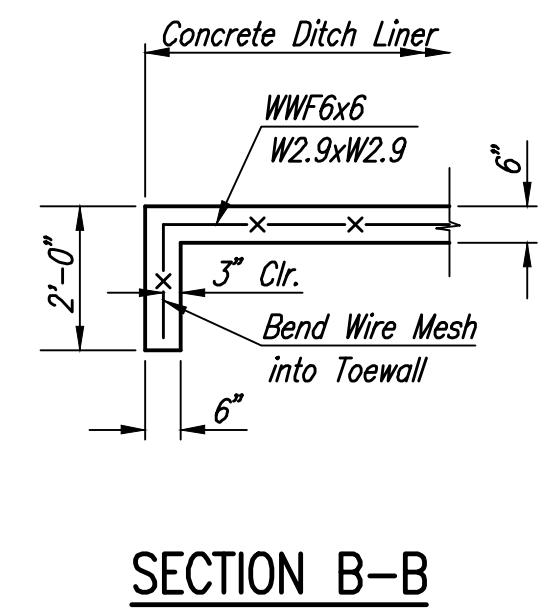
RIPRAP AND MISCELLANEOUS DETAILS



- HEAVY DUTY COUPLER NOTES**
1. BOLTS TO BE A-36 1 1/2" DIAMETER.
  2. BOLTS, NUTS, WASHERS AND SLEEVES TO BE ZINC PLATED.
  3. WASHERS TO BE 3 1/2" O.D. X 7 GAUGE.
  4. SHIP WITH NUTS AND WASHERS PLACED ON BOLTS.



- RIPRAP NOTES**
1. ALL RIPRAP FOR THIS PROJECT SHALL BE NATURAL STONE. NEITHER BROKEN CONCRETE, FABRIC ENVELOPE, NOR PREMIXED DRY PACKAGED CONCRETE BAG ALTERNATES WILL BE ALLOWED.
  2. TOEWALLS SHALL BE INSTALLED ALONG ALL EDGES OF STONE RIPRAP OR AS SHOWN ON PLANS.
  3. GROUTING OF THE SURFACE OF THE RIPRAP SHALL NOT BE PERFORMED. GROUTING OF THE TOEWALLS SHALL BE PERFORMED PER SPECIFICATIONS.



Sheet: 02-01-2020, 11:05:54 AM, by: BJS  
 Plot: Scale: 1:1, 02-21-2020, 11:14:56 AM, by: BJS  
 U:\Wichita-Civil\2019\190592\Drawings\190592-000-25-CP509-RIPRAP AND MISCELLANEOUS DETAILS