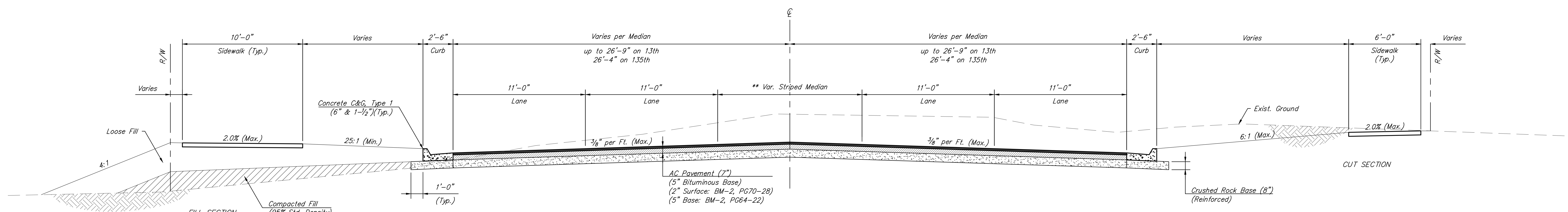


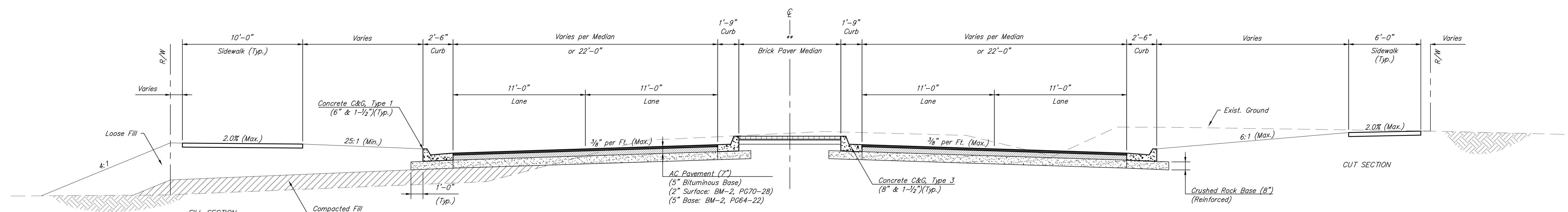
Typical Section - Turn Lane

13th Street
Sta. 92+15.00 to Sta. 95+00.00
135th Street
Sta. 41+65.00 to Sta. 44+89.00



Typical Section - Turn Lane

13th Street
Sta. 95+00.00 to Sta. 96+34.95
** 0' to 9.72'
135th Street
Sta. 44+89.00 to Sta. 46+21.64
** 0' to 8.66'



Typical Section - Raised Median (Brick Pavers)

13th Street
Sta. 96+34.95 to Sta. 97+65.14
Sta. 102+35.07 to Sta. 103+39.96
** Varies (See Plan)
135th Street
Sta. 46+21.64 to Sta. 47+66.55
** Varies (See Plan)

Drawn By: Schwab-Eaton, P.A.
 Plotted: 5/3/2019 1:39 PM
 File: 15.W011 Typical Sections.dwg

CITY OF WICHITA				
TYPICAL SECTIONS				
DESIGNED	MS	DRAWN	JM	SCALE
CHECKED	MS	DATE	09/18	N.T.S.
				SHEET NO.
				3