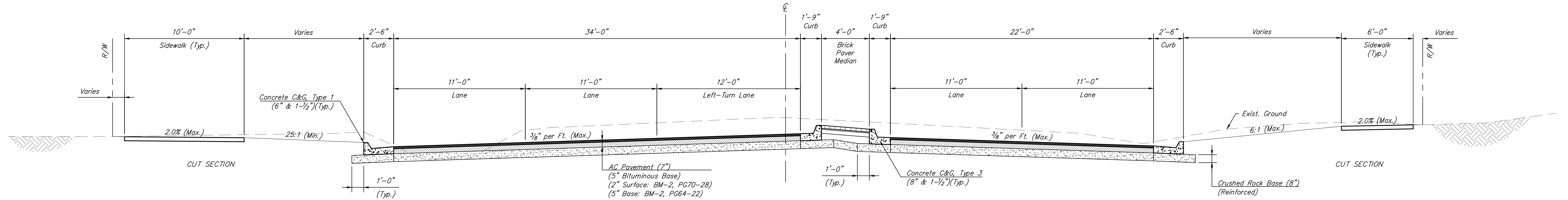


**Typical Section - Raised Median (Brick Pavers)**

13th Street  
 Sta. 97+65.14 to Sta. 99+15.14  
 (97+65.14 to 98+15.14 - A.C. Pavement (7") / 98+15.14 to 99+15.14 - 9" NRDJ)

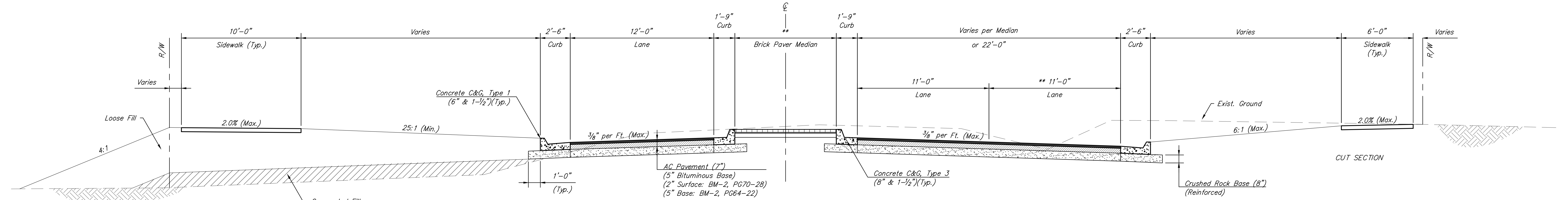
135th Street  
 Sta. 47+66.55 to Sta. 49+15.14  
 (47+66.55 to 48+15.14 - A.C. Pavement (7") / 48+15.14 to 49+15.14 - 9" NRDJ)



**Typical Section - Raised Median (Brick Pavers)**

13th Street  
 Sta. 100+83.45 to Sta. 102+35.07  
 (100+83.45 to 101+83.45 - 9" NRDJ / 101+83.45 to 102+35.07 - A.C. Pavement (7"))

135th Street  
 Sta. 50+85.07 to Sta. 52+33.64  
 (50+85.07 to 51+85.07 - 9" NRDJ / 51+85.07 to 52+33.64 - A.C. Pavement (7"))



**Typical Section - Raised Median (Brick Pavers)**

13th Street  
 Sta. 126+84.40 to Sta. 128+24  
 \*\*Varies (See Plan)

Drawn By: Schwab-Eaton, P.A.  
 Plotted: 5/3/2019 1:39 PM  
 File: 15.W01 Typical Sections.dwg

<b>CITY OF WICHITA</b>				
<b>TYPICAL SECTIONS</b>				
DESIGNED	MS	DRAWN	JM	SCALE
CHECKED	MS	DATE	09/18	N.T.S.
				SHEET NO.
				<b>4</b>