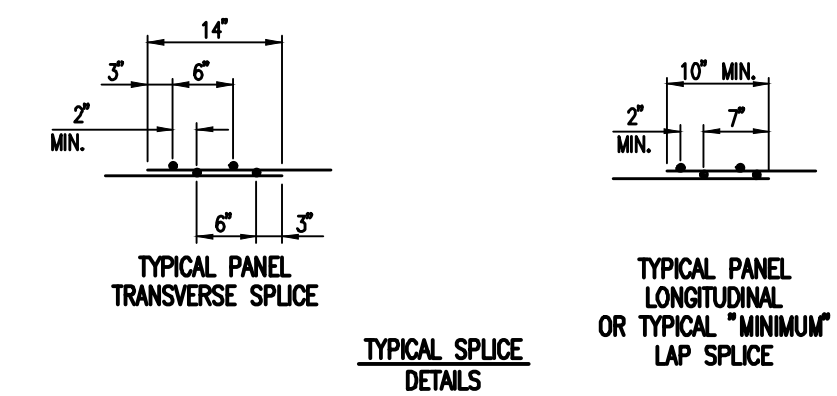
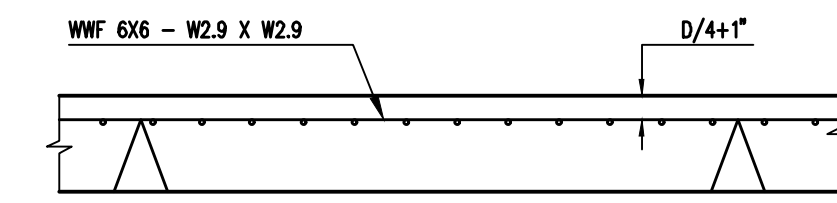


⊗ WELDED WIRE FABRIC

REINFORCING FABRIC SHALL BE FURNISHED IN FLAT SHEETS. THE CONTRACTOR MAY PROVIDE A DIFFERENT PATTERN OF FABRIC AS LONG AS A MINIMUM OF 0.254 SQ. IN./ FT. OF REINFORCING IS PROVIDED IN EACH DIRECTION. WELDED WIRE FABRIC SHALL BE CUT IN THE FIELD AS REQUIRED TO CONFORM TO THE SHAPE OF THE PANEL TO BE REINFORCED.

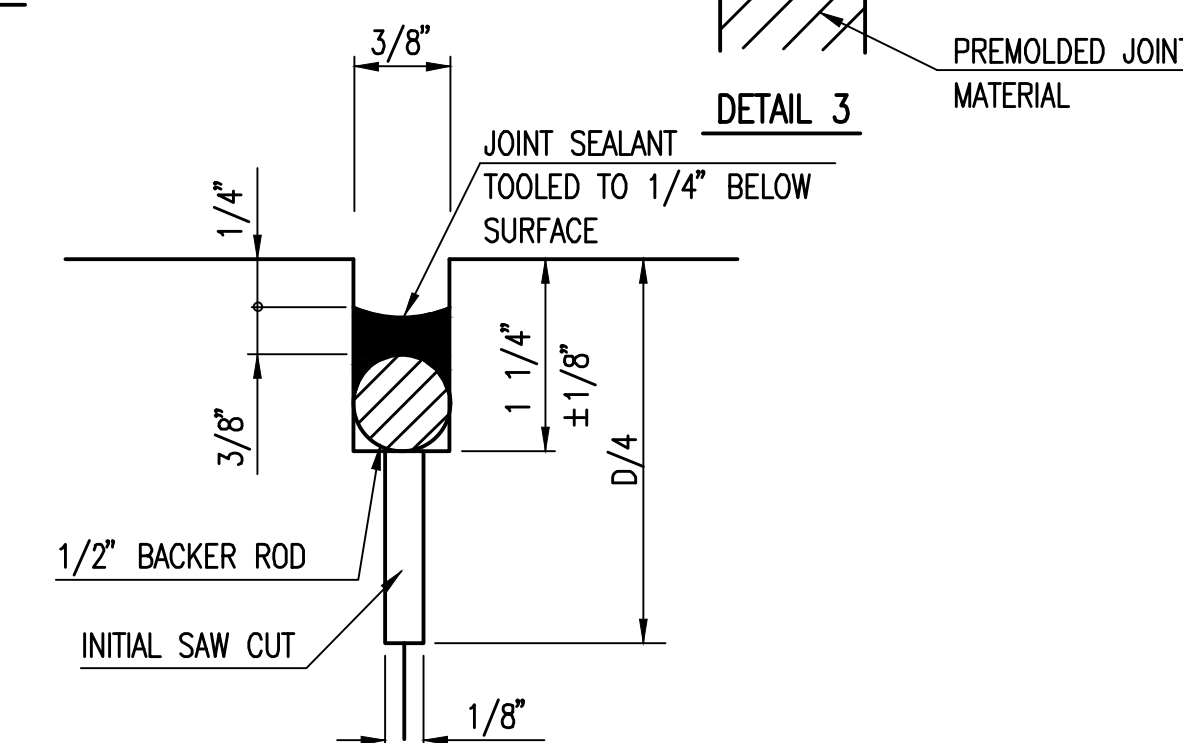
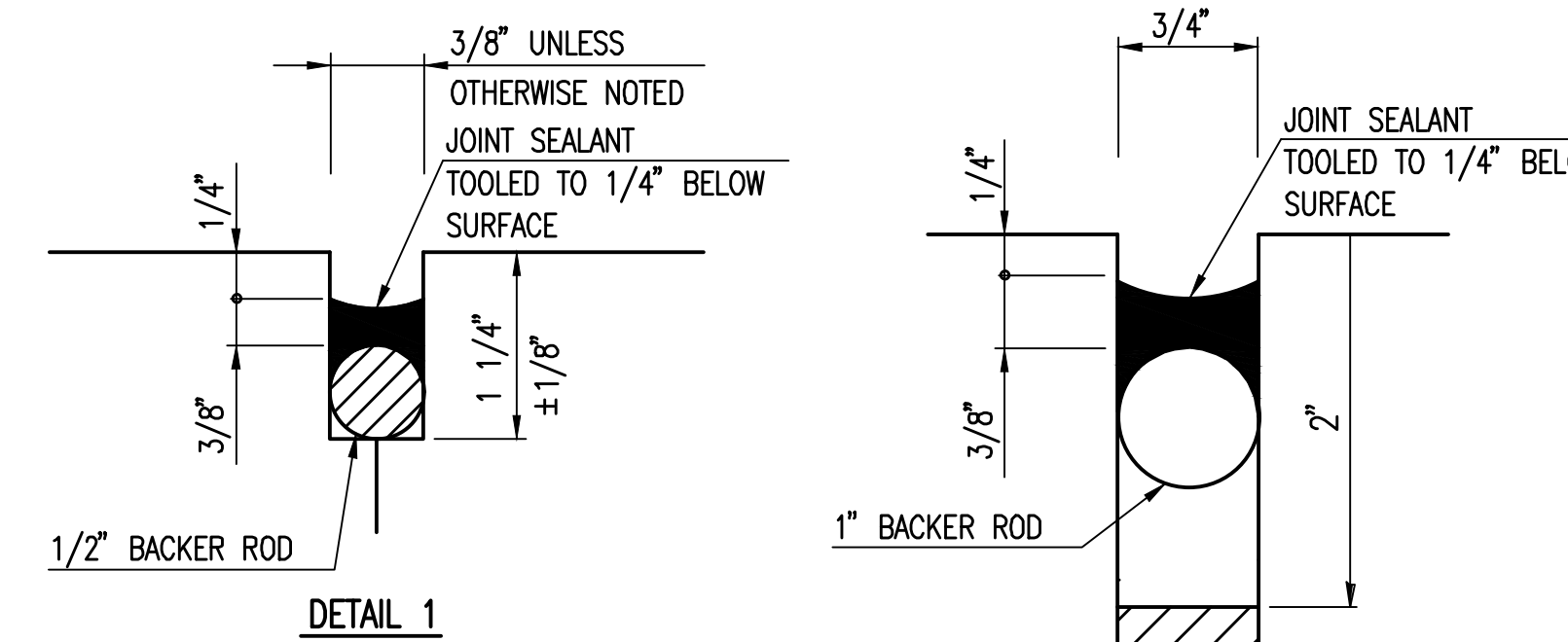


REINFORCING DETAILS



⊗ SECTION THRU PAVEMENT

REINFORCING FOR OTHER THAN RECTANGULAR PANELS SHALL BE THE SAME AS DETAILED ABOVE. CUT TO THE APPROPRIATE SHAPE & OVERLAP SPLICE AS REQUIRED.



DETAIL 2
JOINT SEAL DETAILS