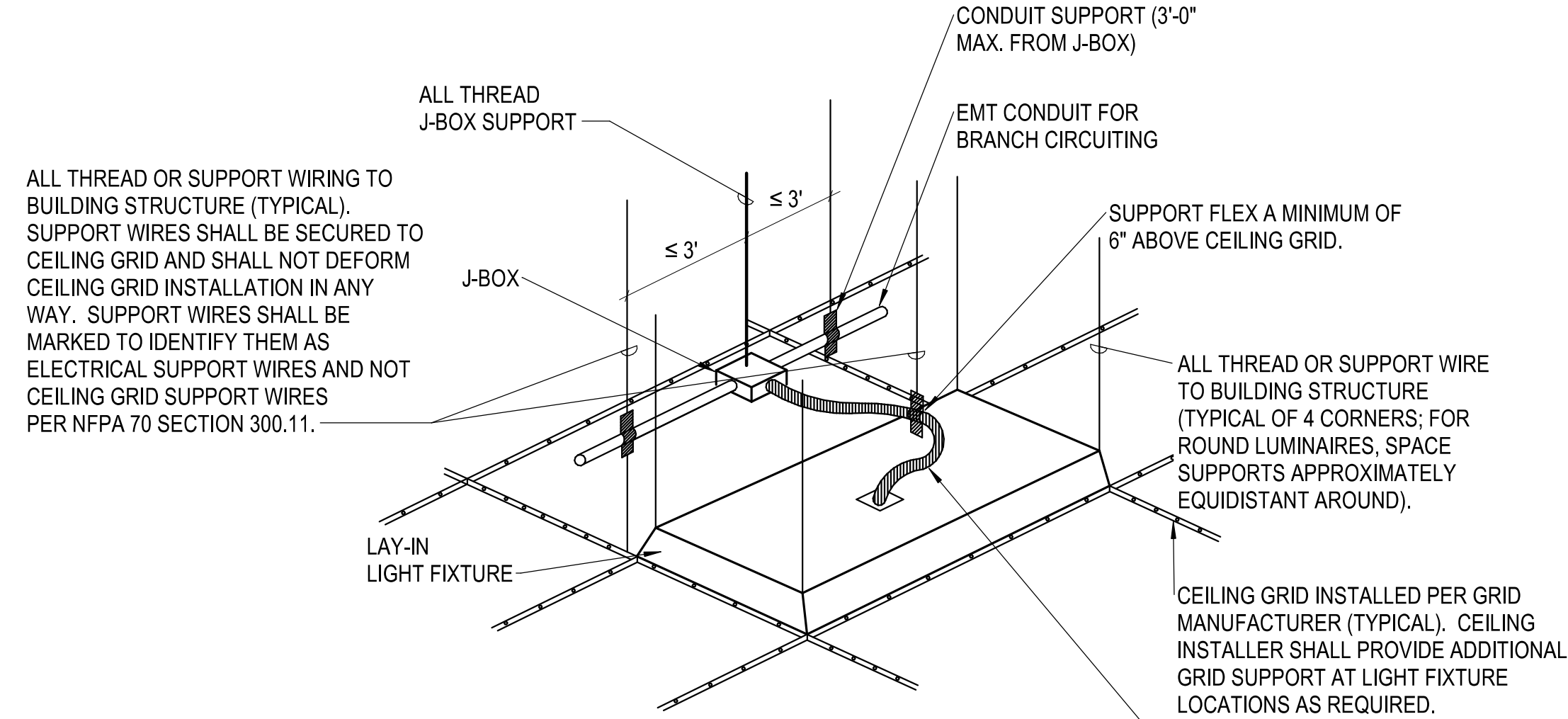


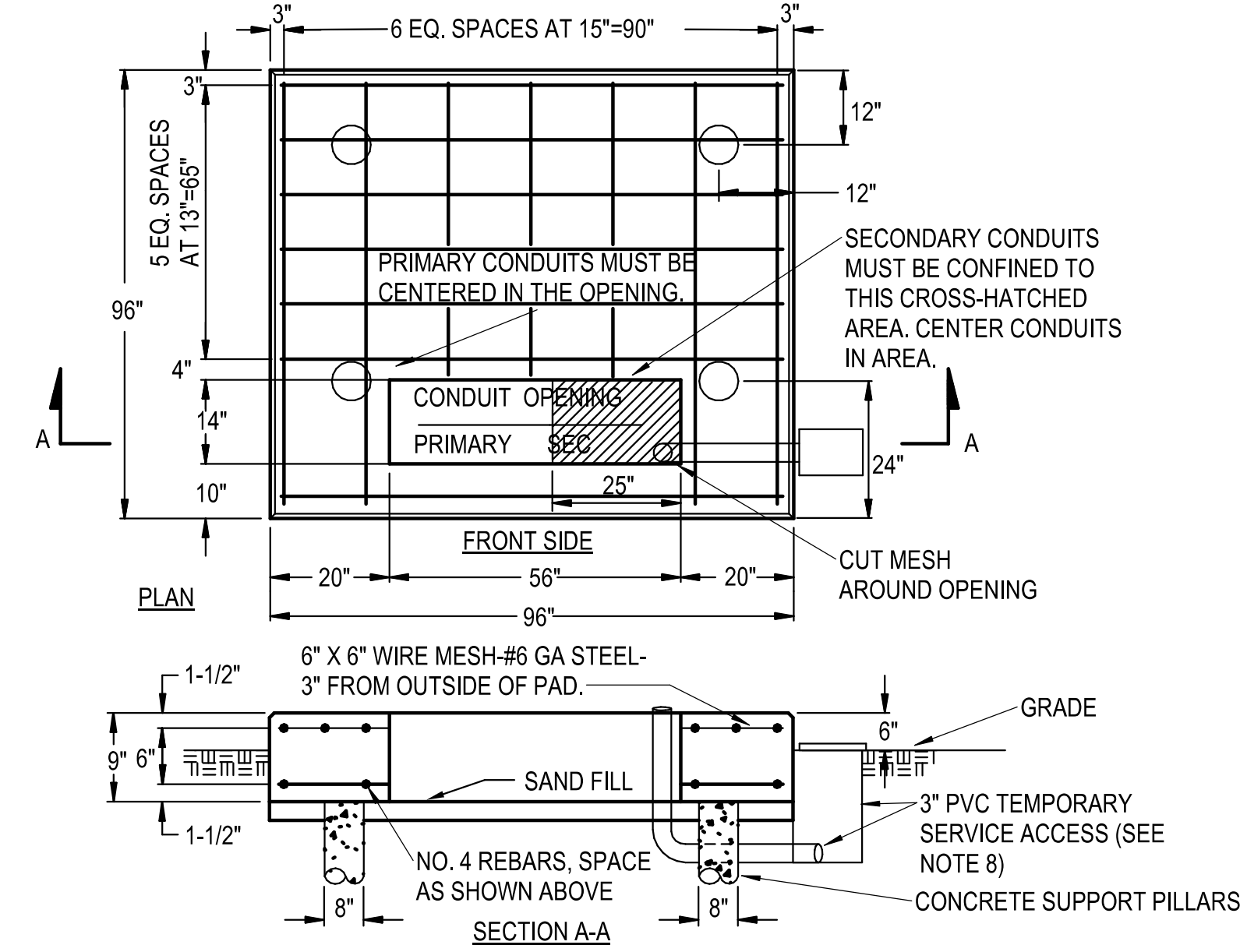
1 RECEPTACLE MOUNTING DETAIL
NO SCALE



NOTES:
 1. RECESSED AND SEMI-RECESSED LUMINAIRES MUST BE INDEPENDENTLY SUPPORTED FROM THE BUILDING STRUCTURE IN ACCORDANCE WITH SPECIFICATION SECTION 26 51 00 INTERIOR LIGHTING.
 2. ROUND LUMINAIRES OR LUMINAIRES SMALLER IN SIZE THAN THE CEILING GRID SHALL BE CENTERED IN THE ACOUSTIC PANEL UNLESS OTHERWISE NOTED. UTILIZE AT LEAST TWO METAL CHANNELS SPANNING, AND SECURED TO, THE CEILING TEES FOR CENTERING AND ALIGNING THE LUMINAIRE IN ACCORDANCE WITH SPECIFICATION SECTION 26 51 00 INTERIOR LIGHTING. INSTALL FIXTURE TRIM TIGHT AND FLUSH TO THE ACOUSTIC PANEL CEILING TILE.

FLEX CONNECTION SIZE AS REQUIRED - 3/8" MIN. LENGTH SHALL ALLOW FIXTURE TO BE RELOCATED 4'-0" IN ANY DIRECTION.

2 LIGHTING MOUNTING DETAIL
NO SCALE

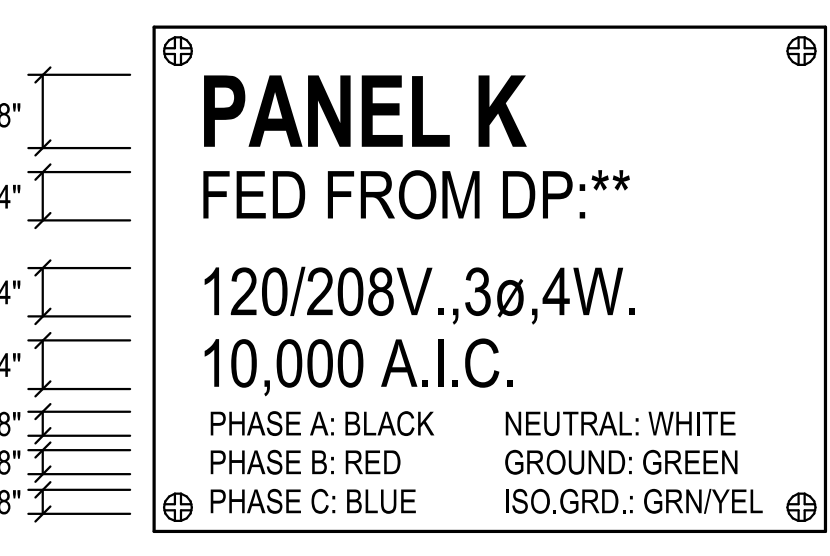
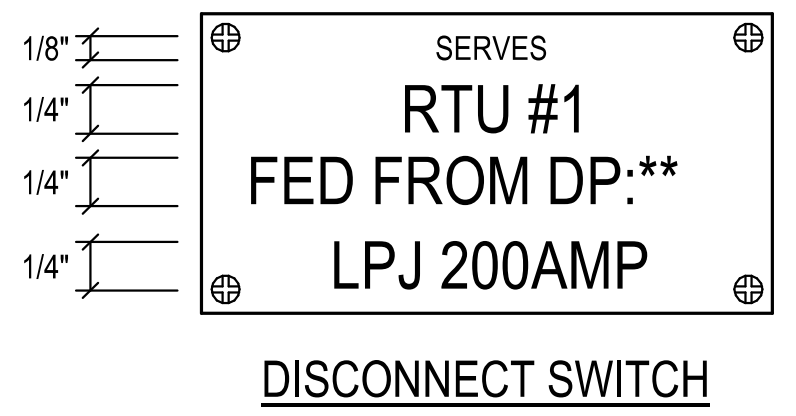


NOTES:
 1. VERIFY PAD LOCATION, DIMENSIONS & ALL REQUIREMENTS WITH LOCAL UTILITY CO.
 2. THE TOP OF THE TRANSFORMER PAD SHALL RECEIVE A SMOOTH TROWEL FINISH. THE CORNERS AND EDGES SHALL BE ROUNDED OR BEVELLED.
 3. THE CONCRETE SHALL BE A MINIMUM OF 3,000 LB. MIX.
 4. CONTRACTOR SHALL EXTEND FORMS DOWN TO AT LEAST 3" BELOW AVERAGE GROUND LINE.
 5. TOP OF CONDUITS SHALL BE FLUSH WITH TOP OF PAD.
 6. THE CONDUIT OPENING SHALL BE FREE AND CLEAR OF CONCRETE.
 7. PILLARS ARE FORMED BY AUGERING AN 8" DIAMETER HOLE TO A DEPTH OF UNDISTURBED EARTH. A SEPARATOR, SUCH AS TAR PAPER, SHOULD BE PLACED BETWEEN THE PILLAR AND THE PAD SO THE PAD CAN BE LEVELLED AT A LATER TIME IF NECESSARY.

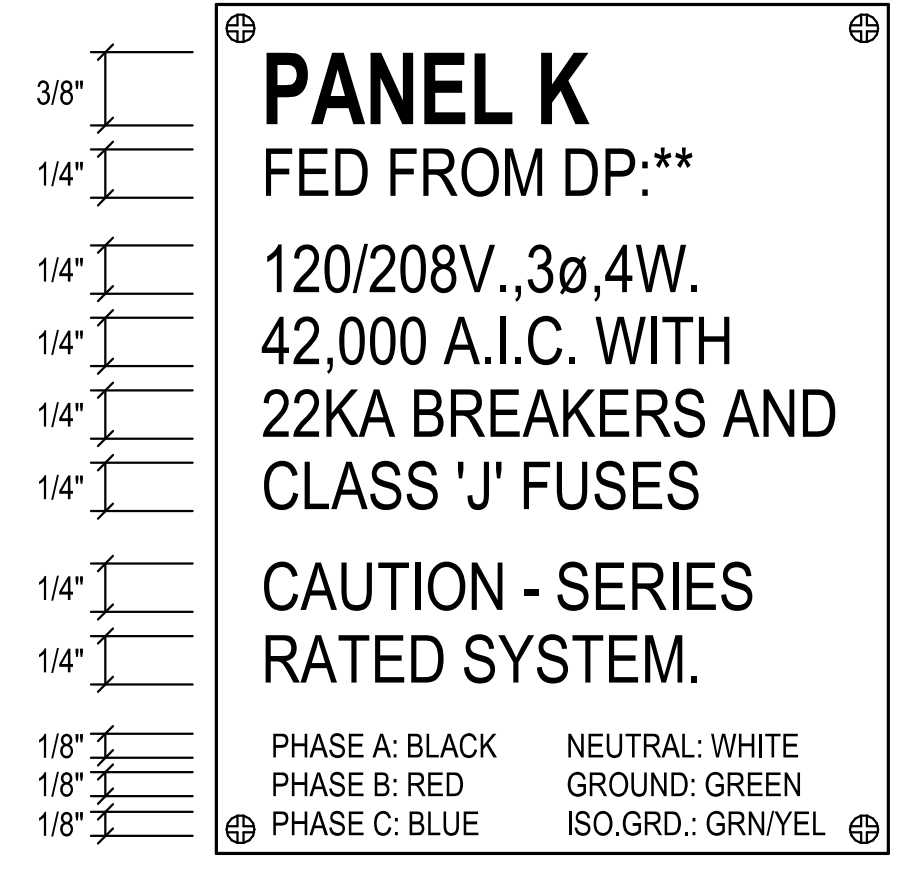
3 TRANSFORMER PAD DETAIL
NO SCALE 750-1000 KVA



SWITCHBOARD/DISTRIBUTION PANEL/MOTOR CONTROL CENTER SWITCH



BRANCH CIRCUIT/DISTRIBUTION PANEL



BRANCH CIRCUIT/DISTRIBUTION PANEL SERIES RATED

4 NAMEPLATE DETAIL
NO SCALE

2/13/2020 2:29:59 PM
 BIM 360://198014-003 - Watson Park Events Center New
 Building/198014-003-MASTER ELEC-R18.rvt