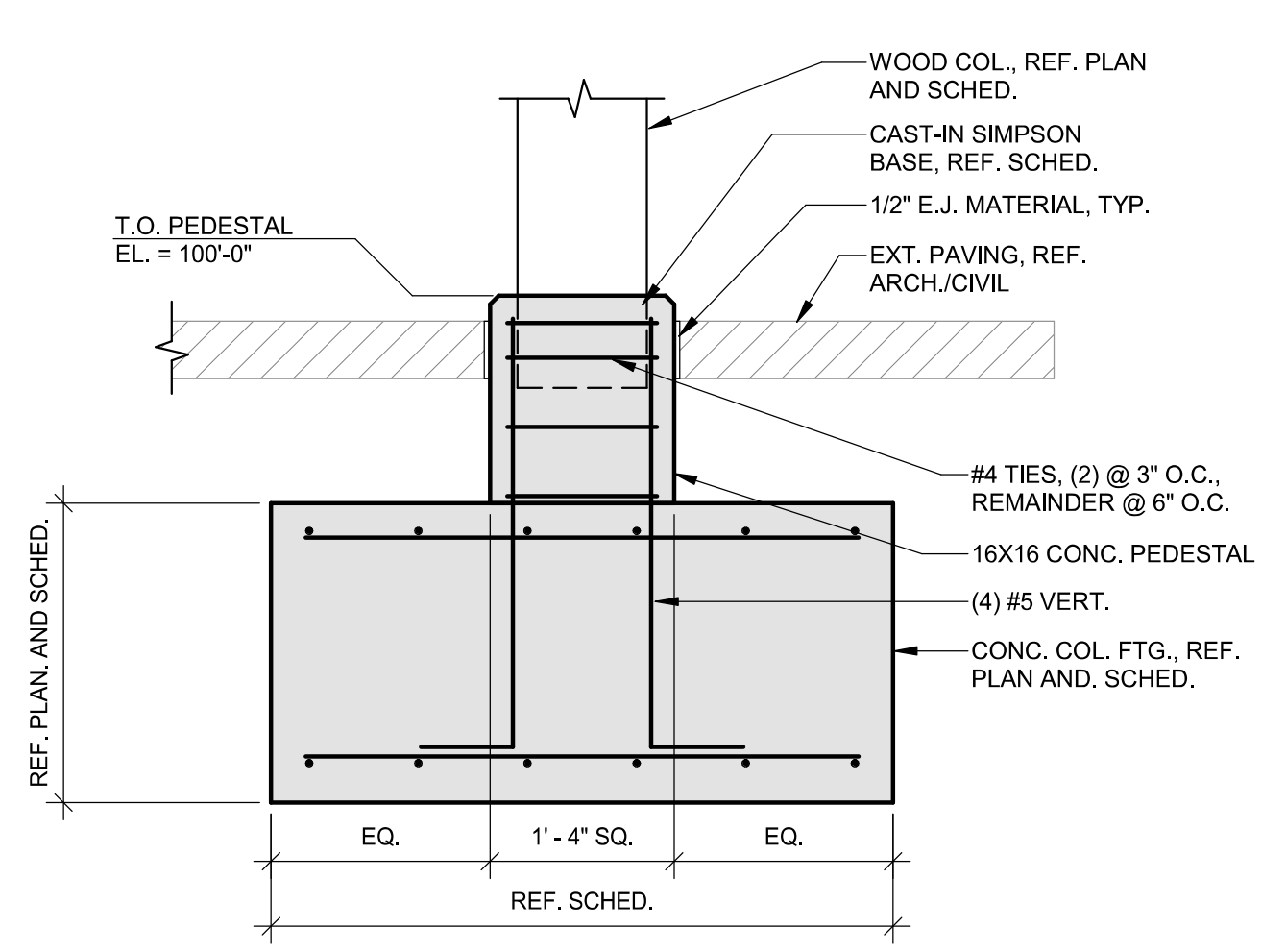
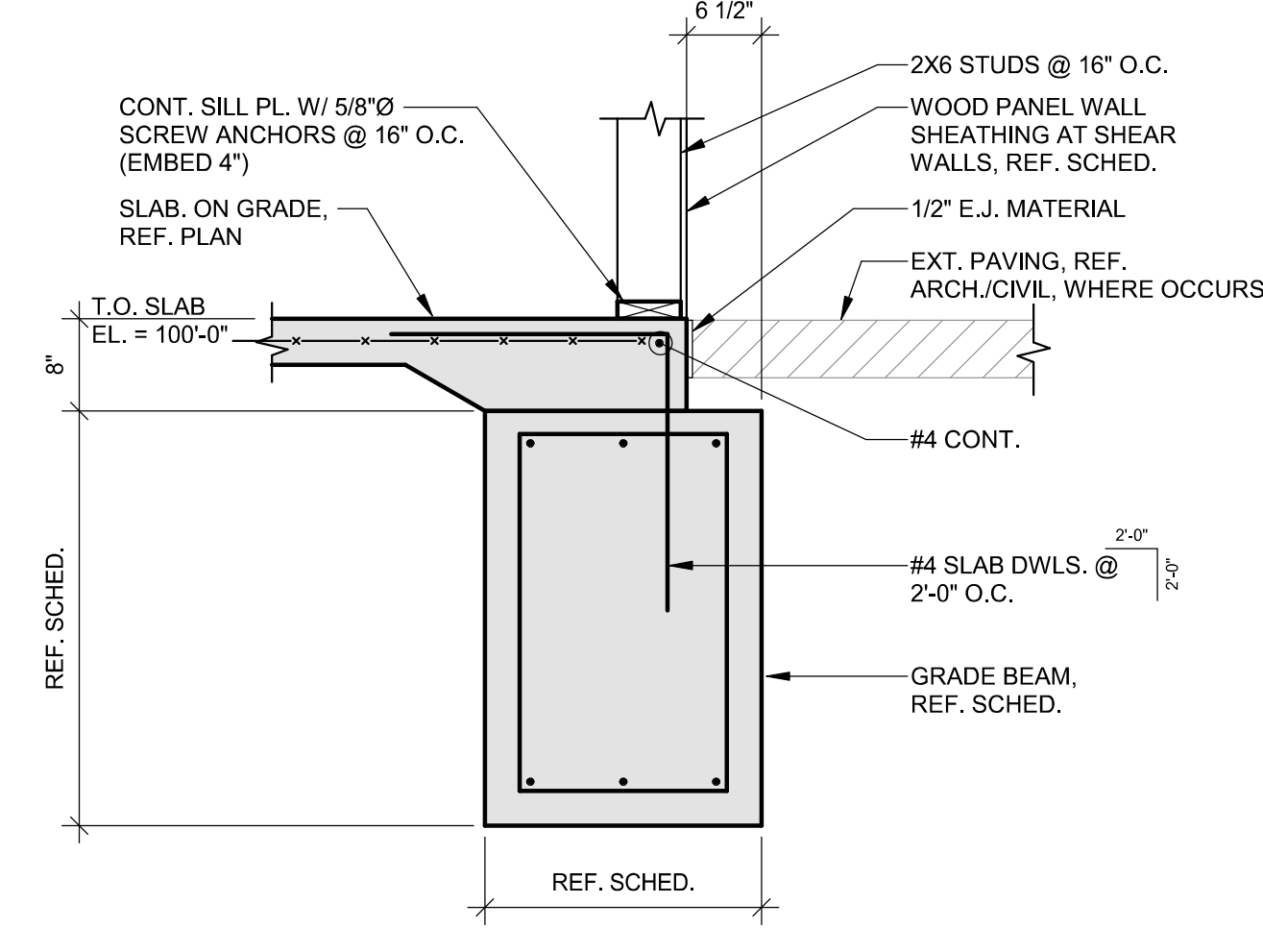


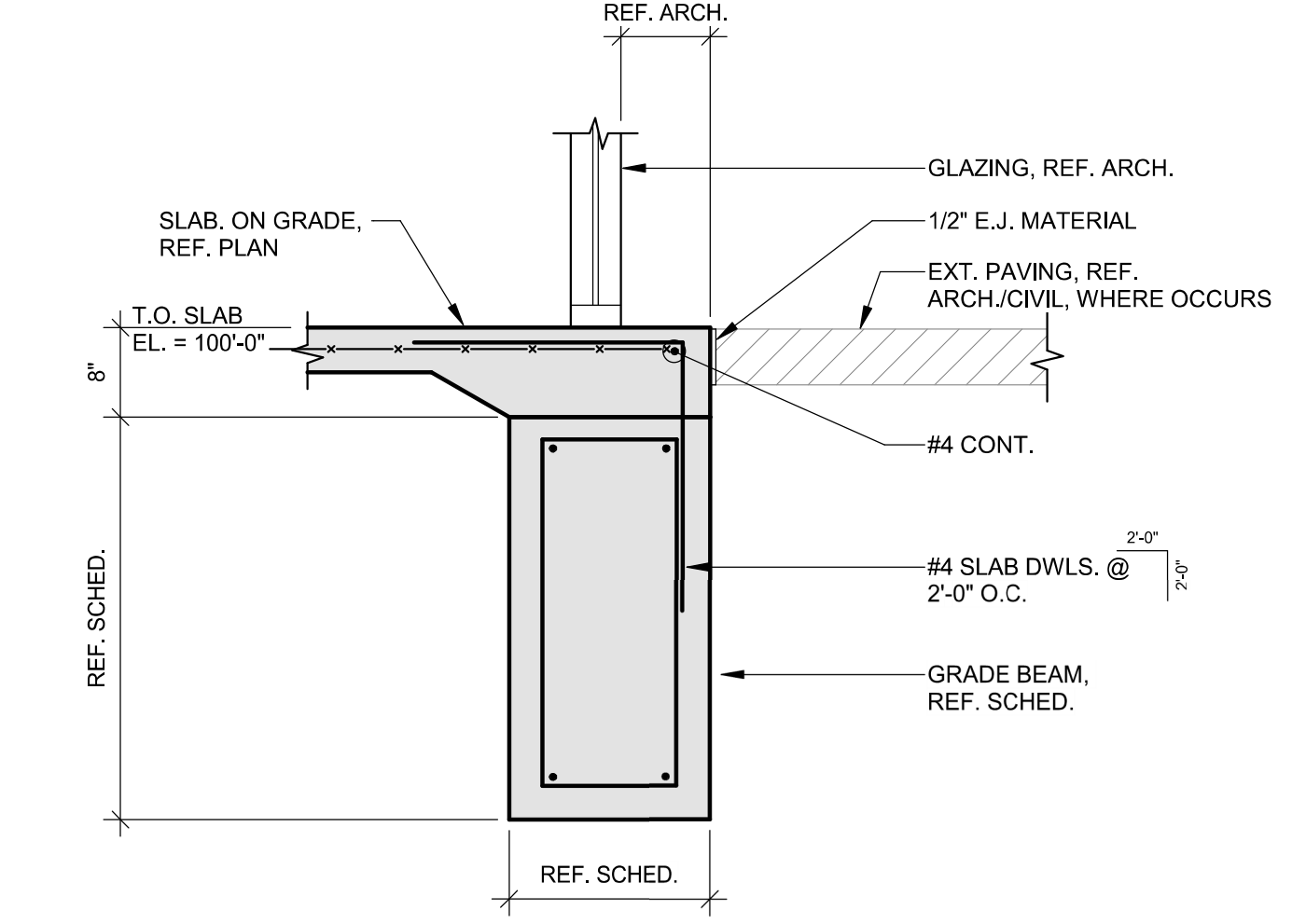
1 FOUNDATION AT WOOD COLUMN
 3/4" = 1'-0"



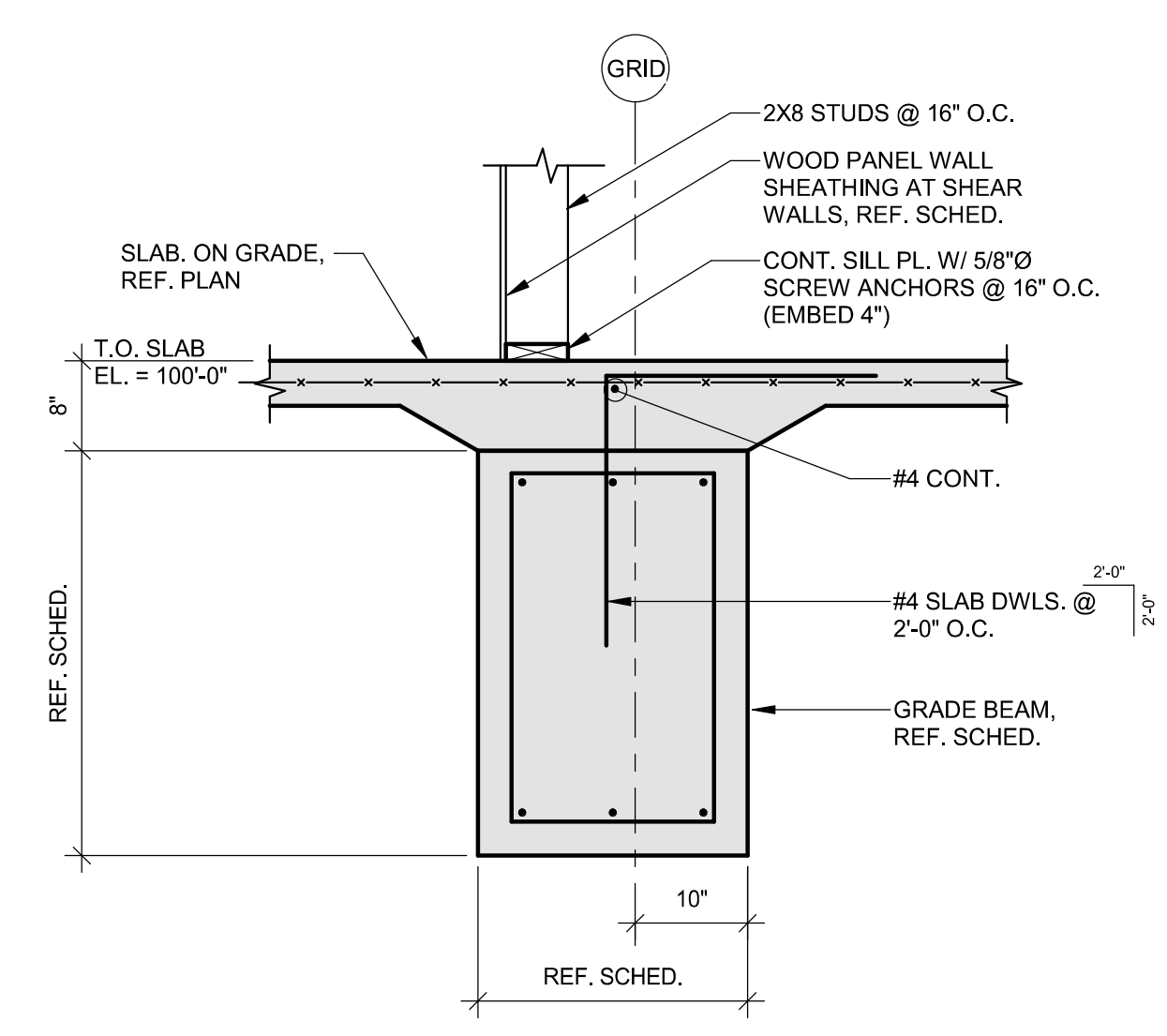
2 FOUNDATION AT WOOD COLUMN
 3/4" = 1'-0"



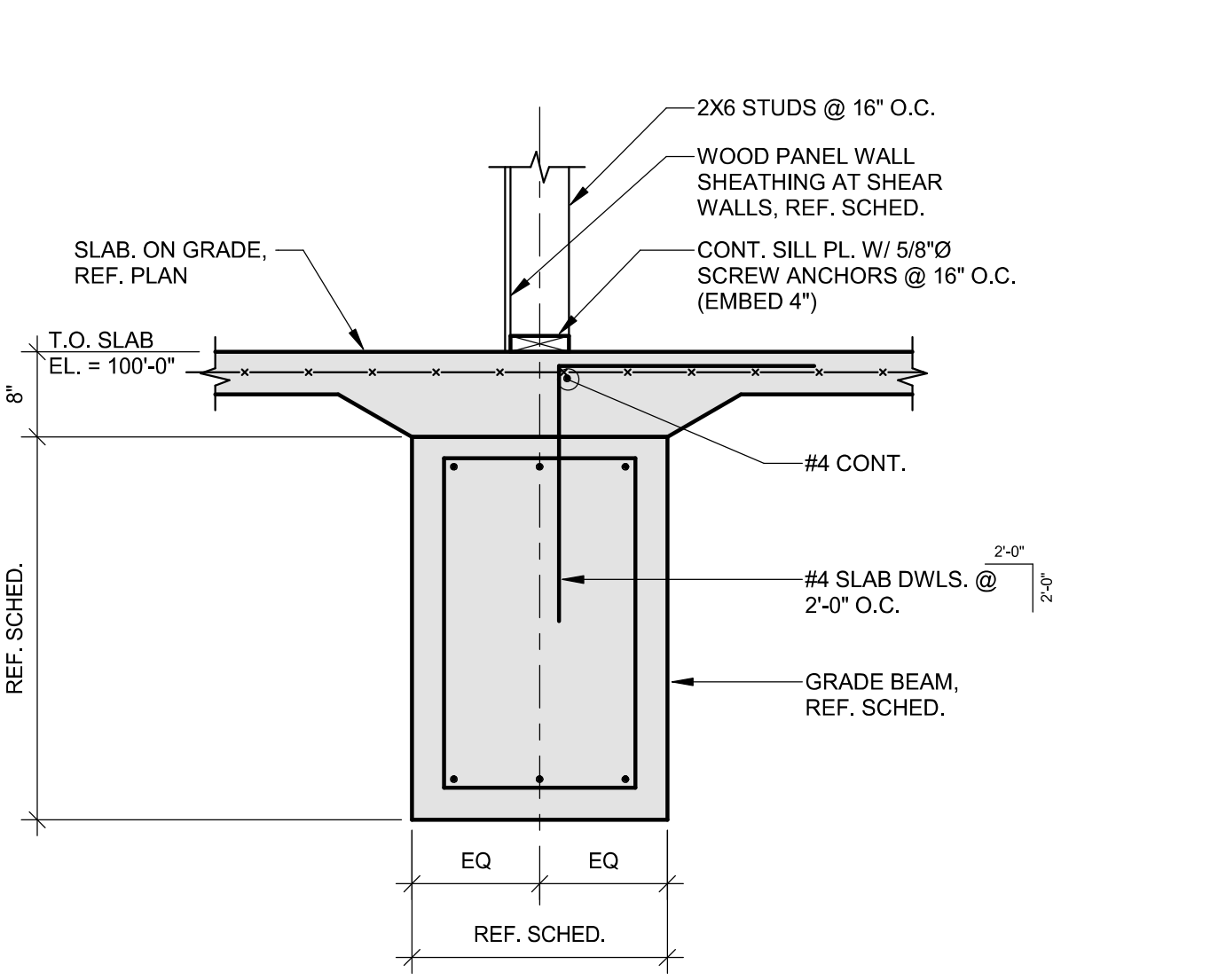
3 FOUNDATION AT EXT. WALL
 3/4" = 1'-0"



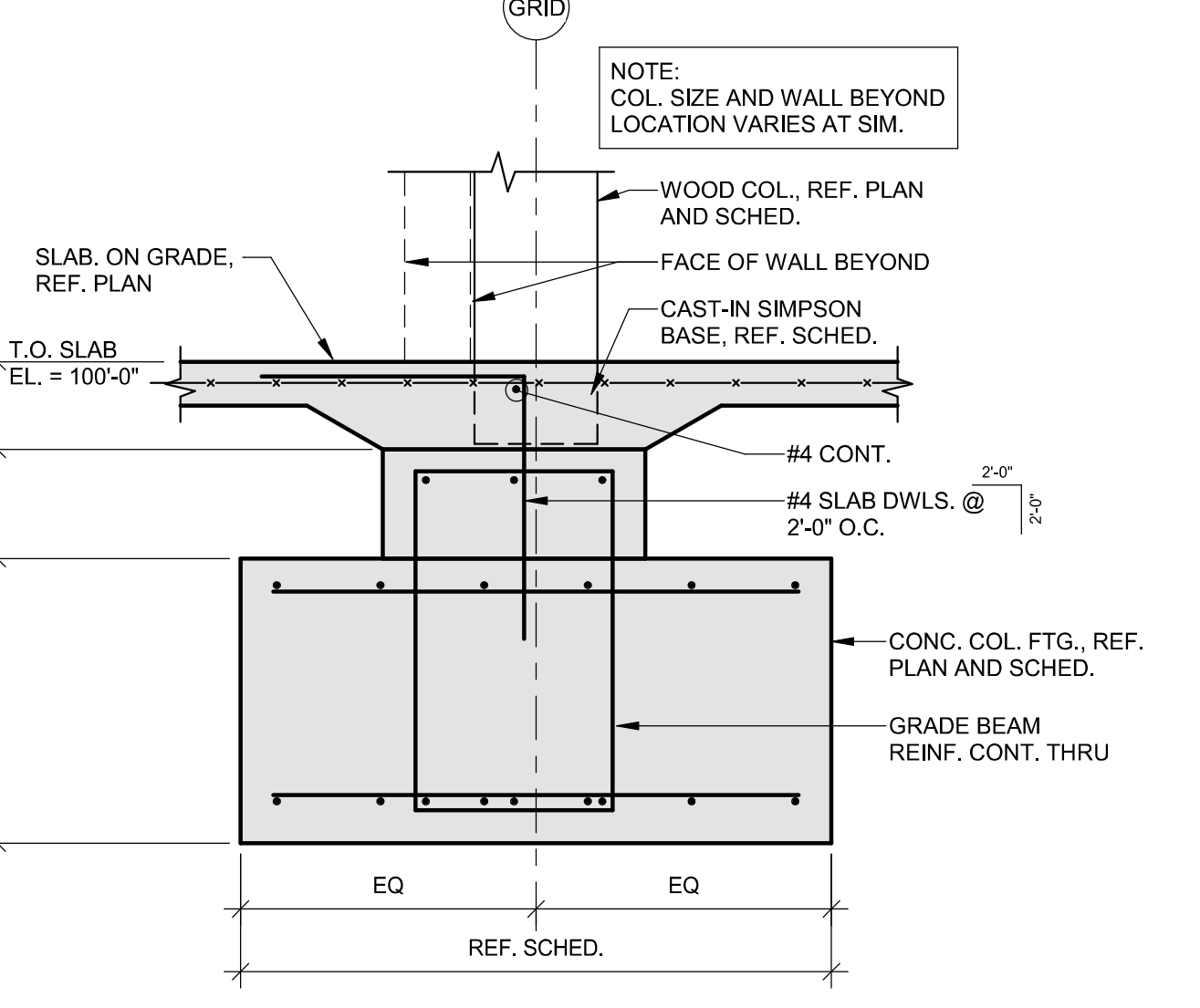
4 FOUNDATION AT EXT. GLAZING
 3/4" = 1'-0"



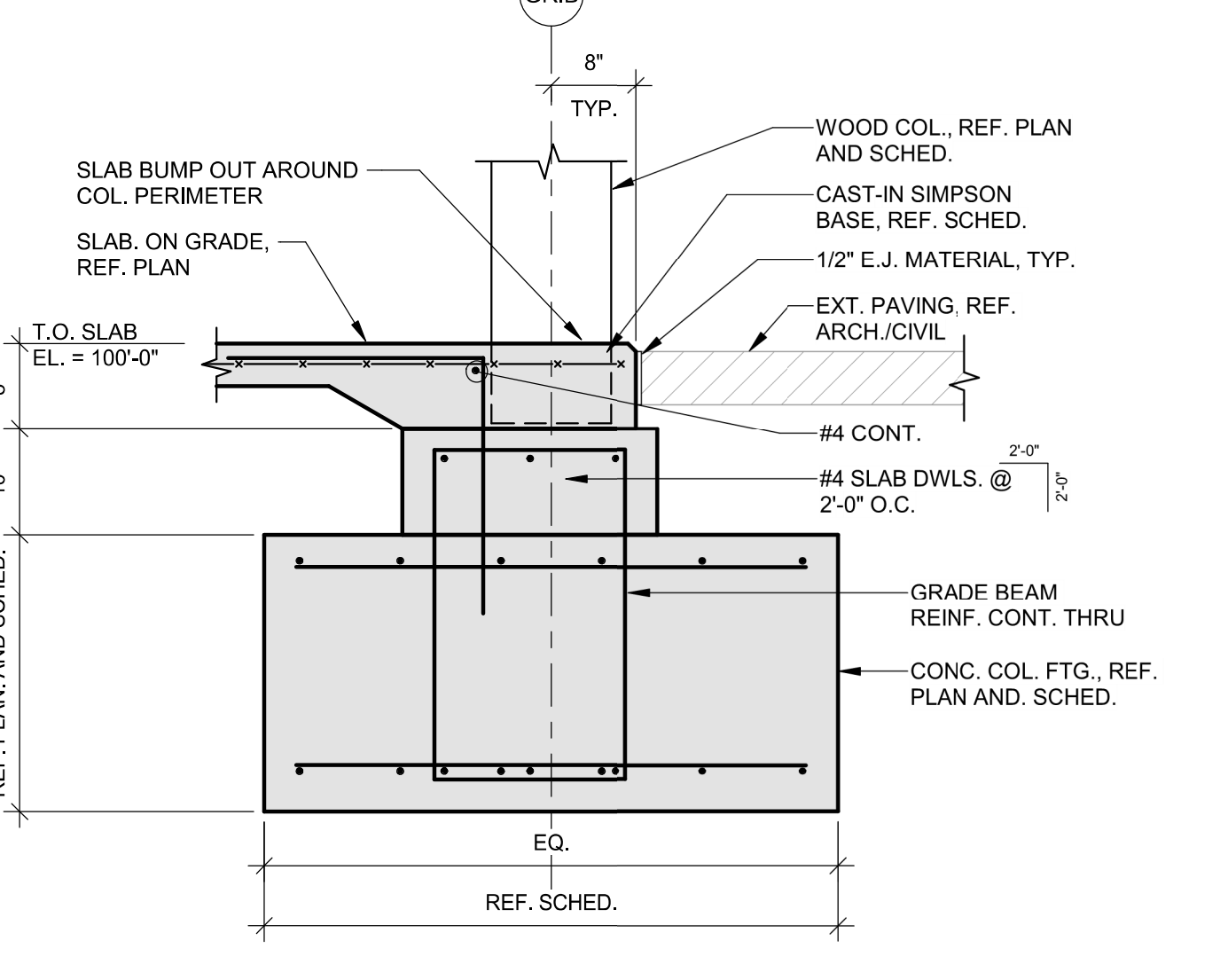
5 FOUNDATION AT INT. WALL
 3/4" = 1'-0"



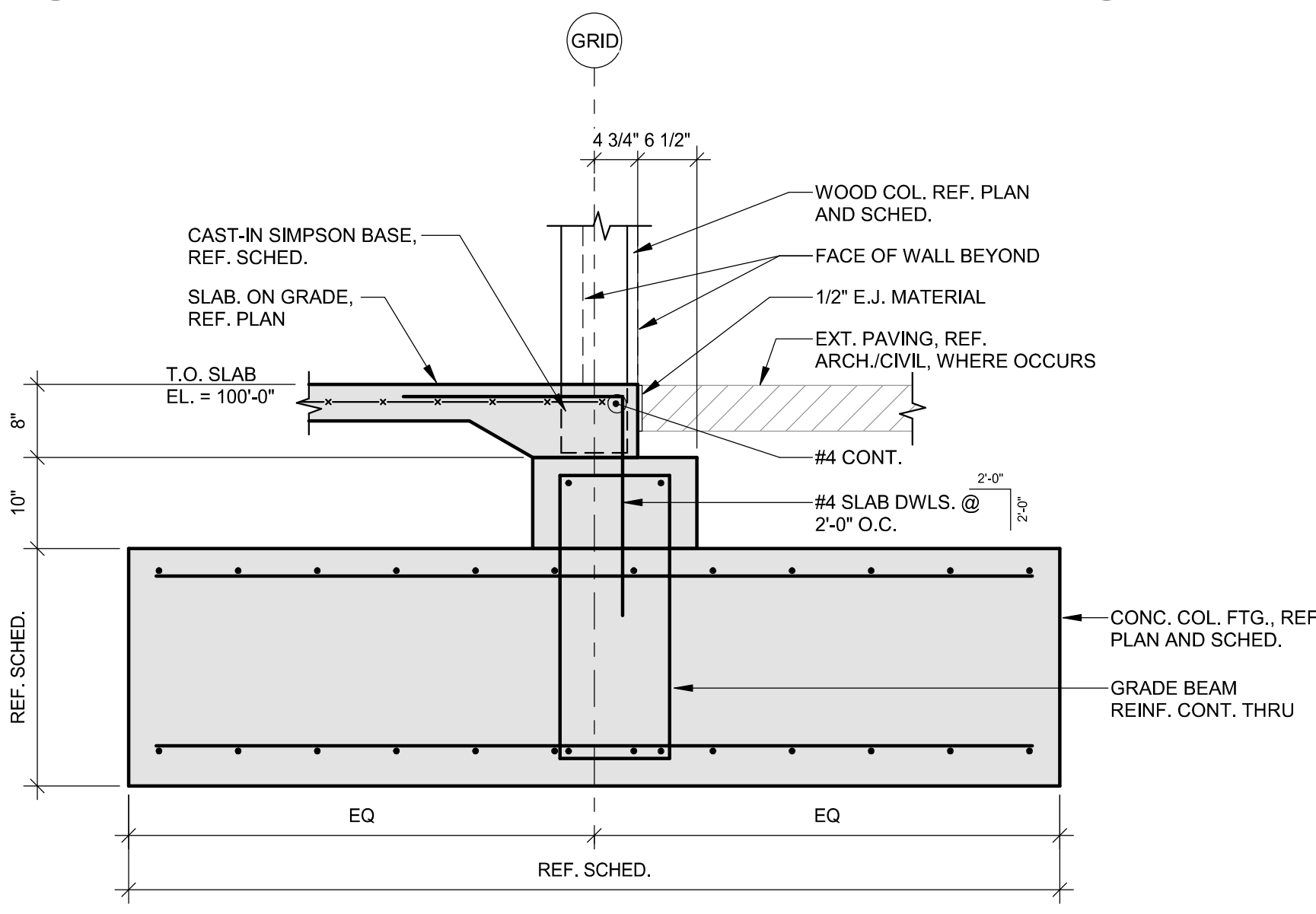
6 FOUNDATION AT INT. WALL
 3/4" = 1'-0"



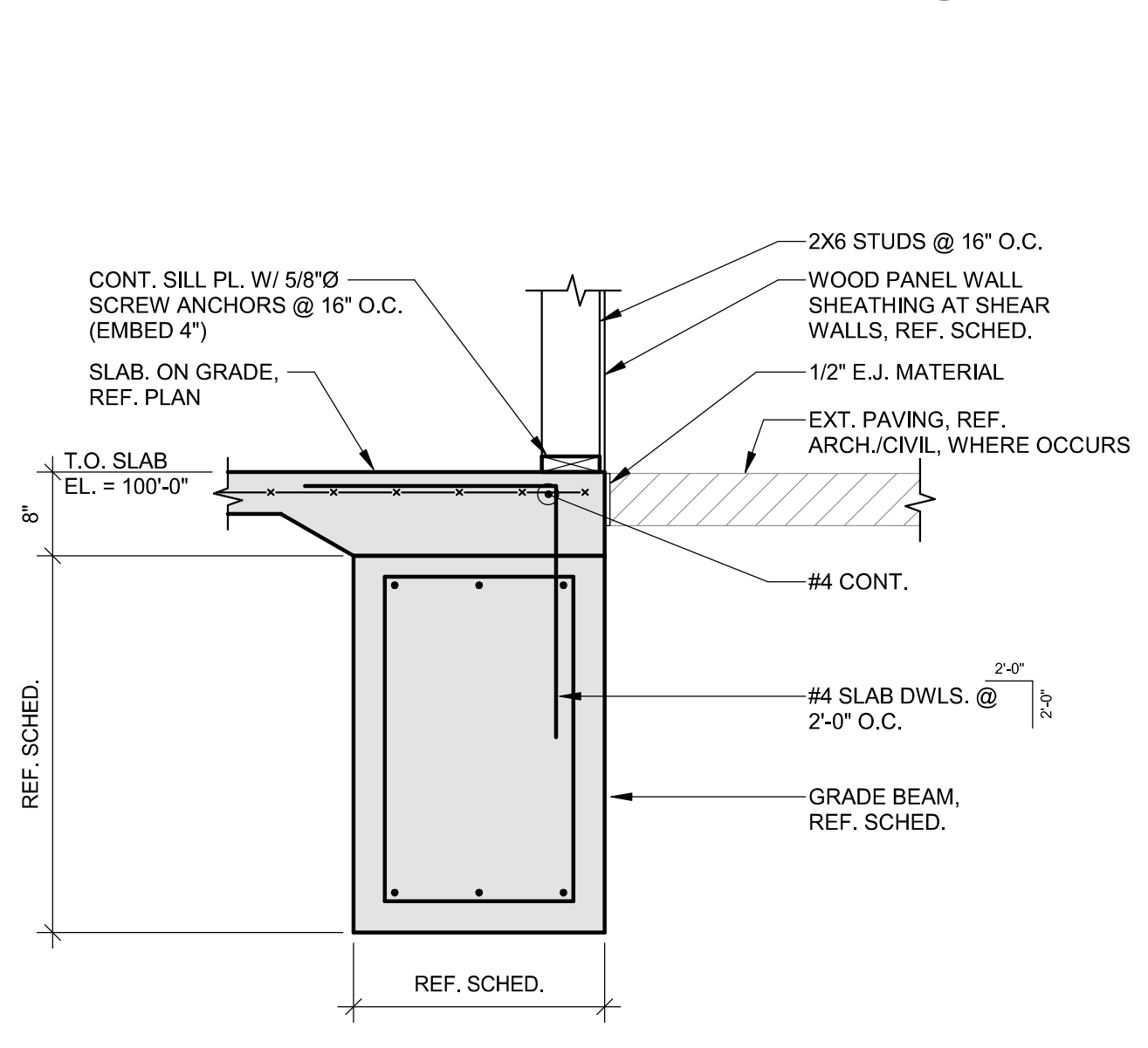
7 FOUNDATION AT INT. COL.
 3/4" = 1'-0"



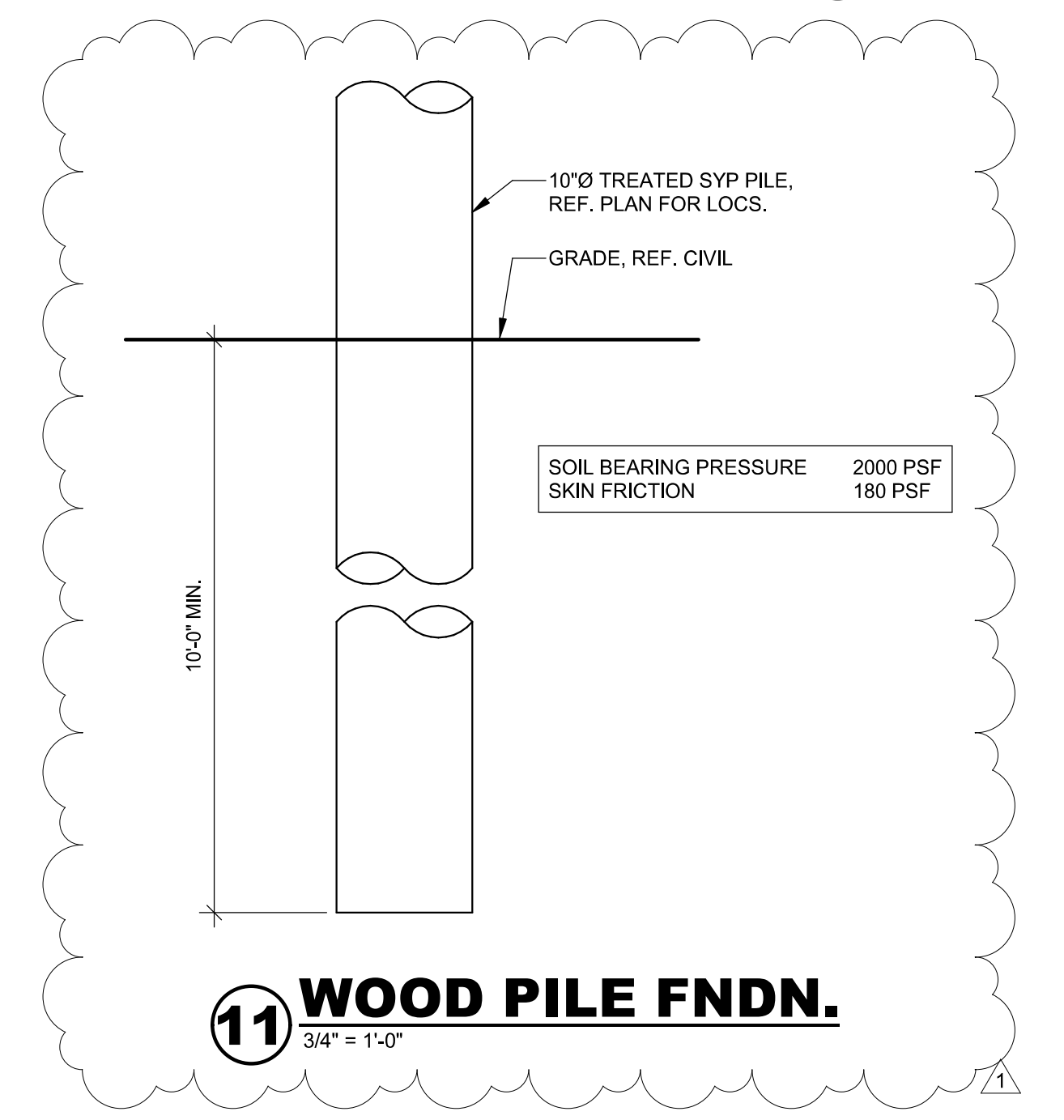
8 FOUNDATION AT EXT. WALL COL.
 3/4" = 1'-0"



9 FOUNDATION AT EXT. WALL COL.
 3/4" = 1'-0"



10 FOUNDATION AT EXT. WALL
 3/4" = 1'-0"



11 WOOD PILE FNDN.
 3/4" = 1'-0"

3/27/2020 11:06:50 AM
 BIM 360://198014-003 - Watson Park Events Center New Building/198014_MASTER
 STRUCT_R19.rvt