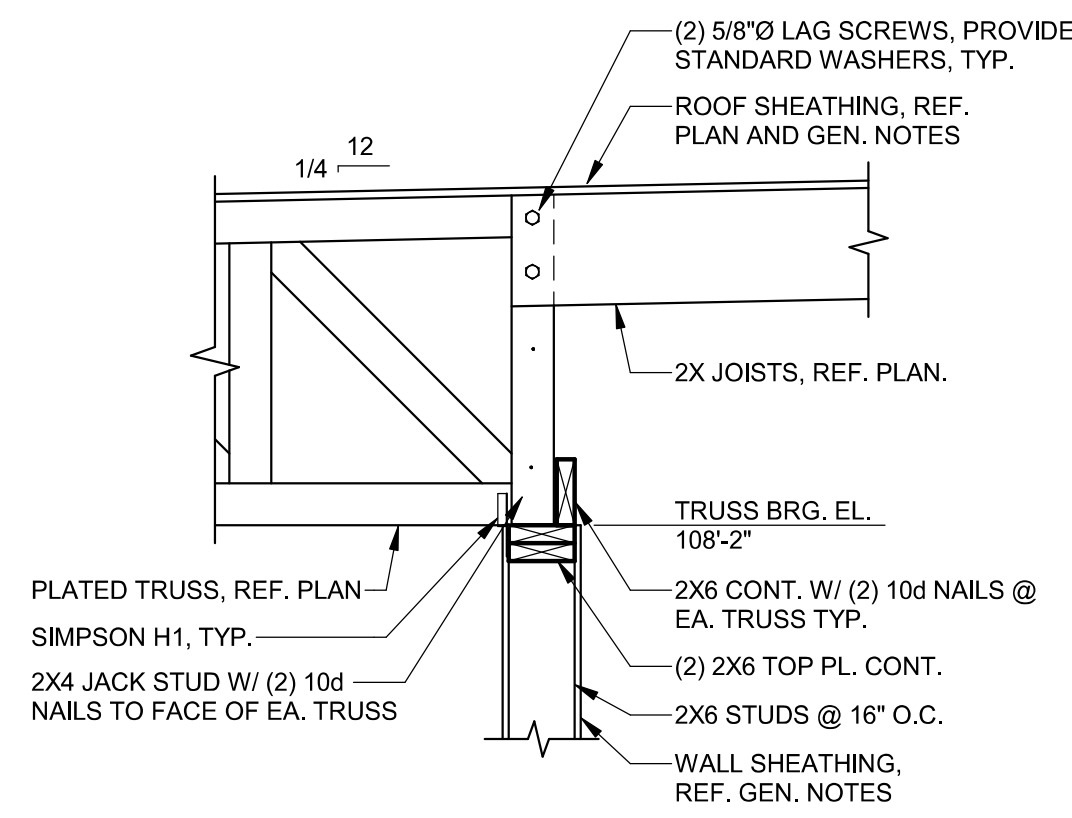
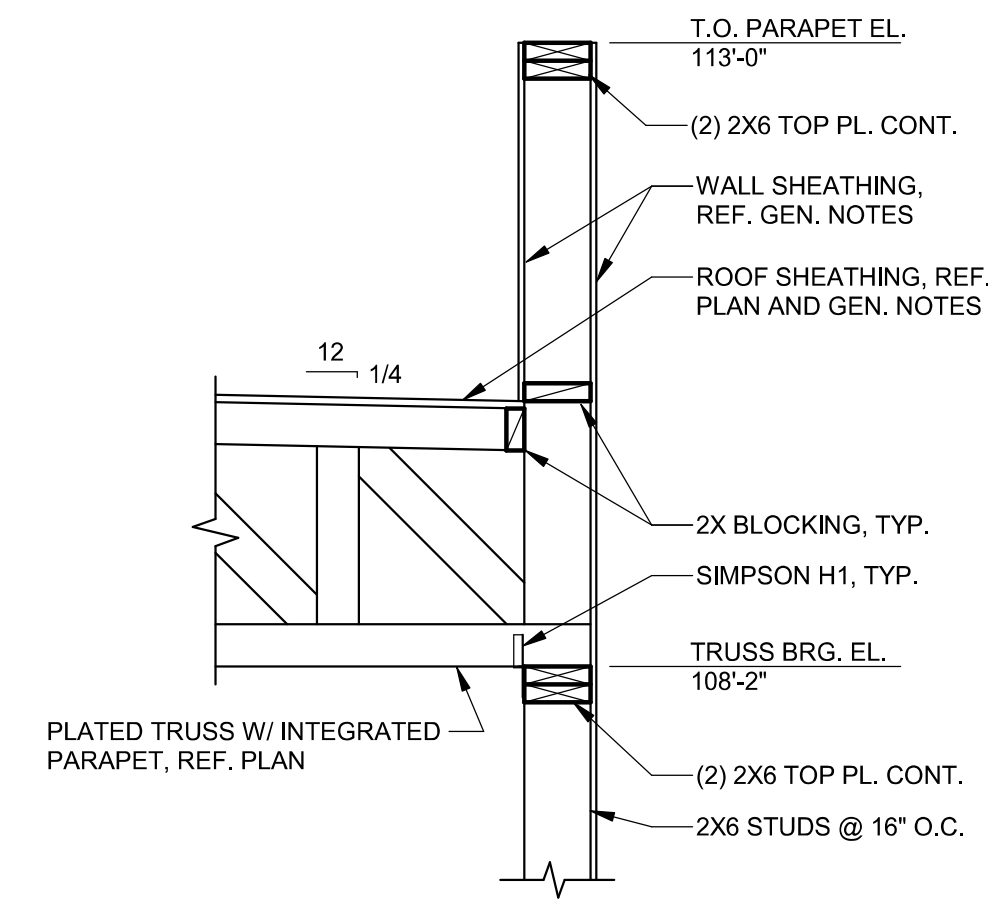


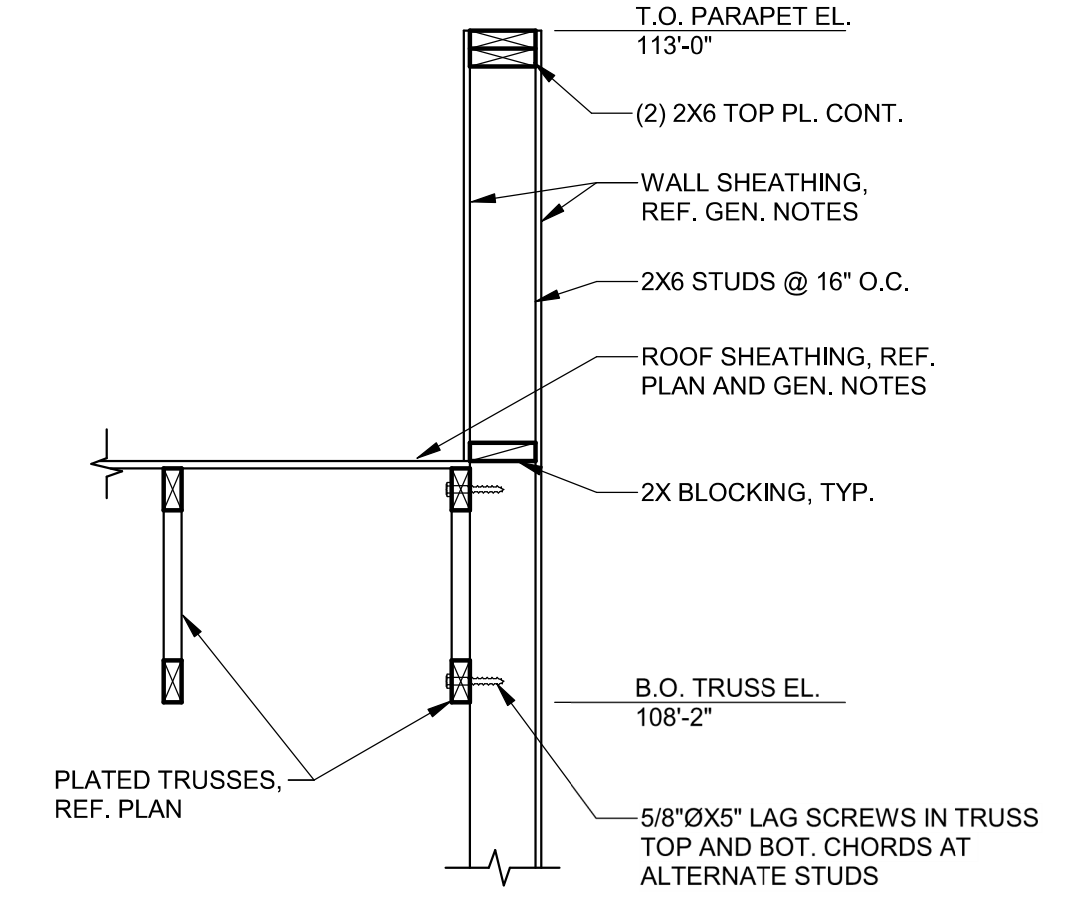
1 ROOF FRAMING DETAIL
 3/4" = 1'-0"



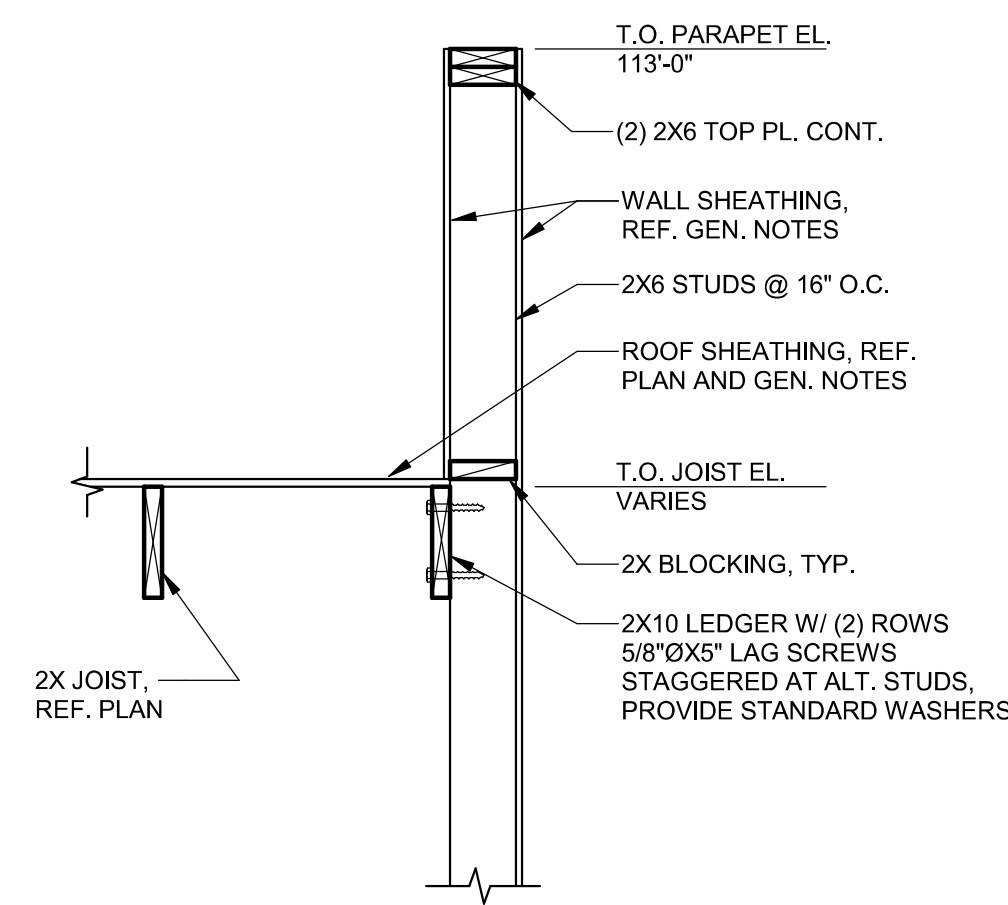
2 ROOF FRAMING DETAIL
 3/4" = 1'-0"



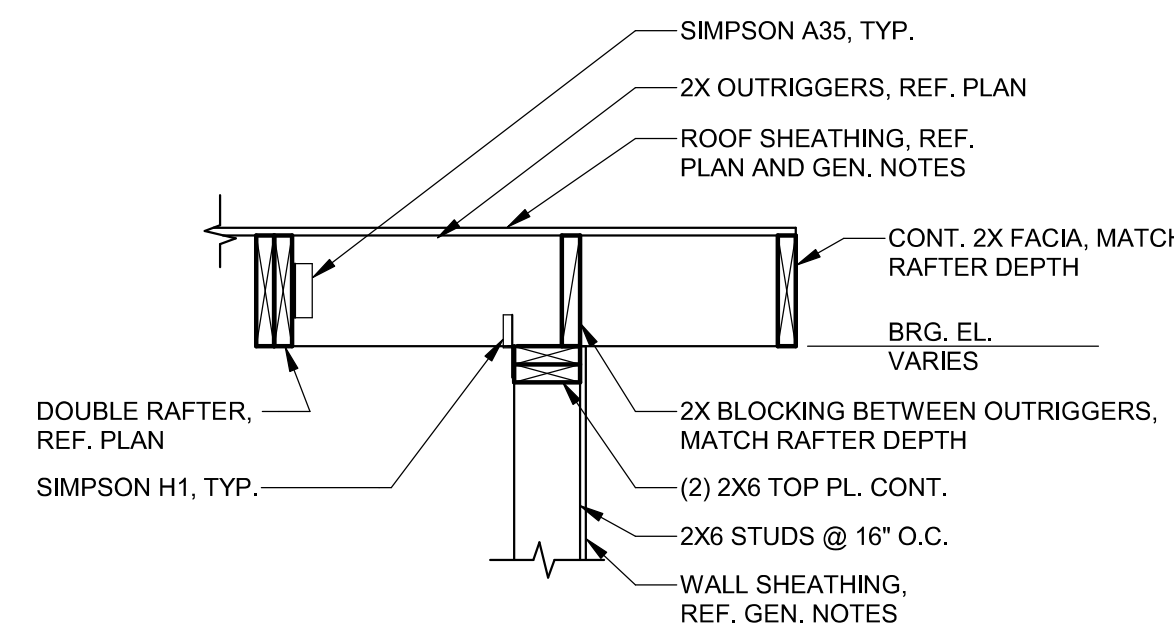
3 ROOF FRAMING DETAIL
 3/4" = 1'-0"



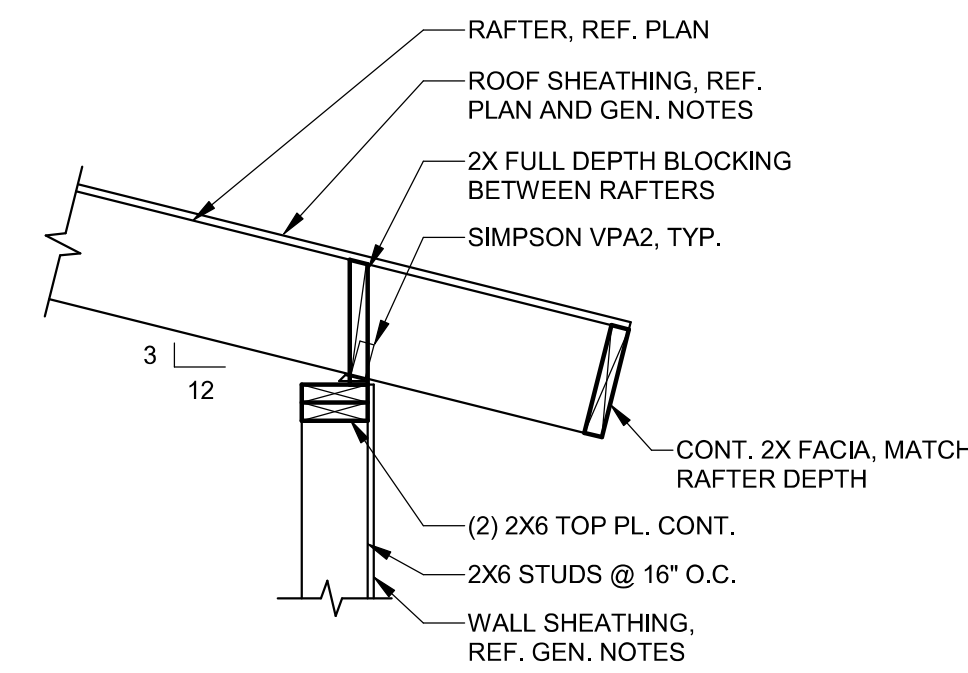
4 ROOF FRAMING DETAIL
 3/4" = 1'-0"



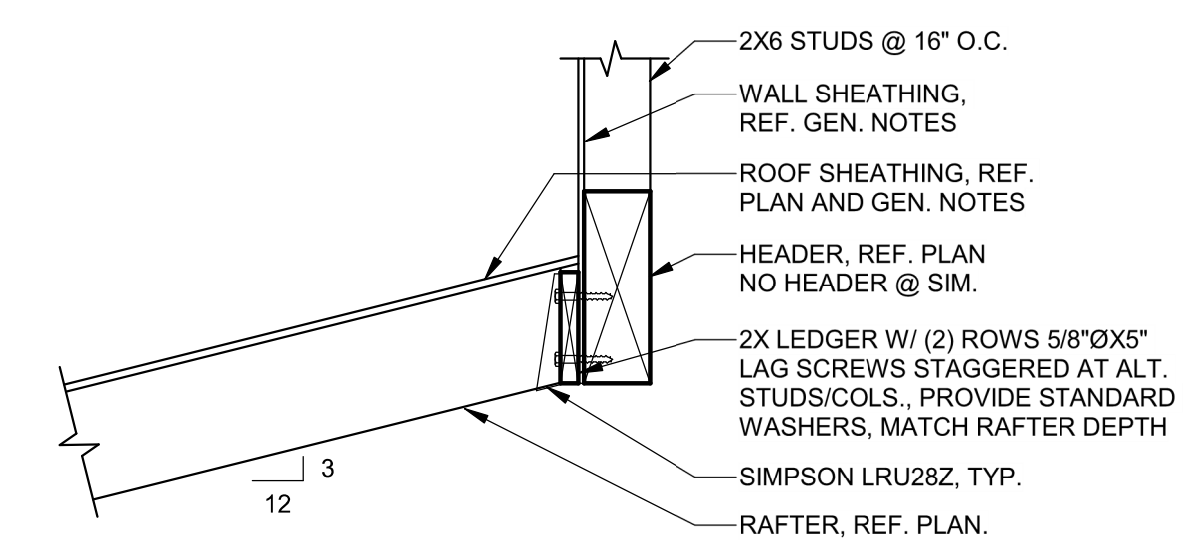
5 ROOF FRAMING DETAIL
 3/4" = 1'-0"



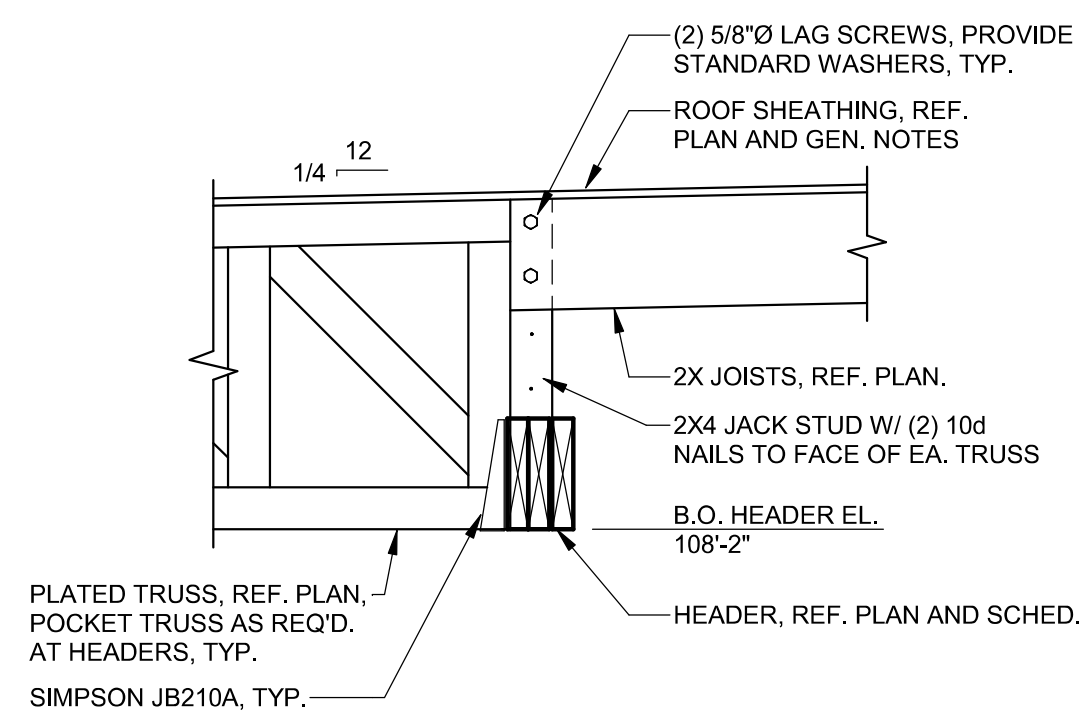
6 ROOF FRAMING DETAIL
 3/4" = 1'-0"



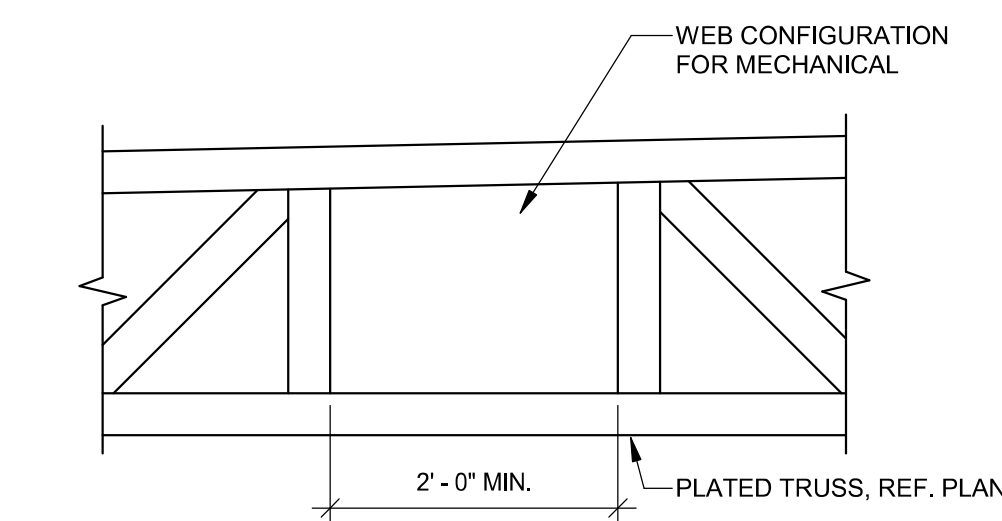
7 ROOF FRAMING DETAIL
 3/4" = 1'-0"



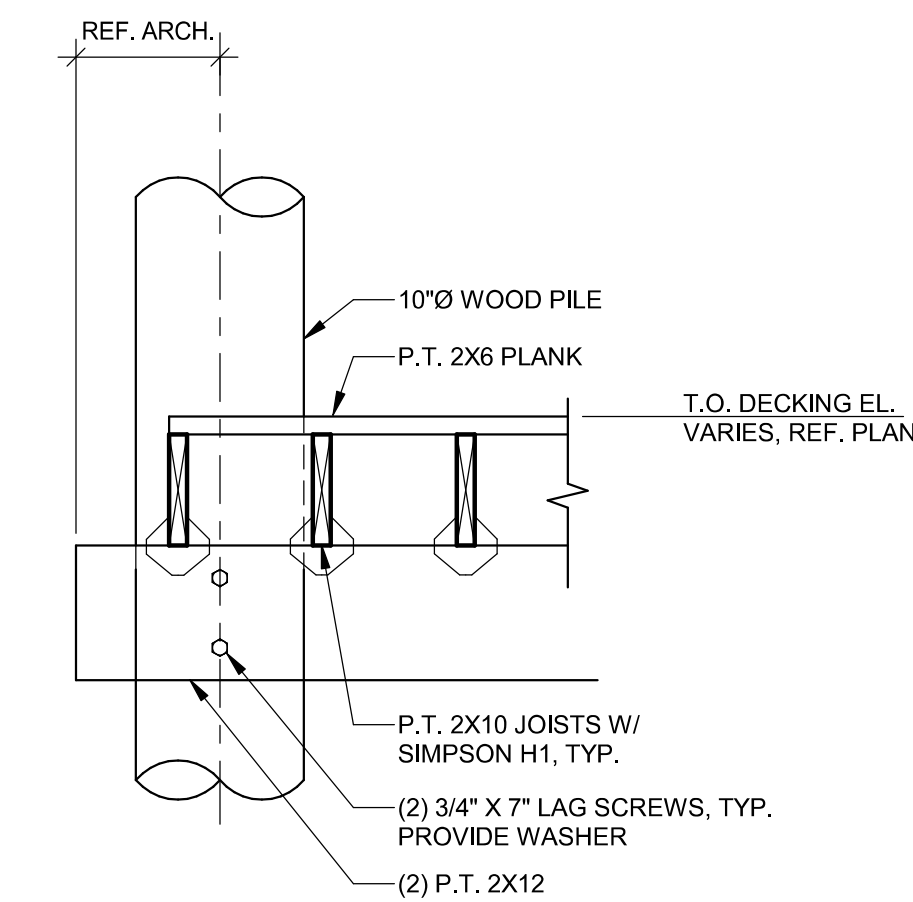
8 ROOF FRAMING DETAIL
 3/4" = 1'-0"



9 ROOF FRAMING DETAIL
 3/4" = 1'-0"



10 ROOF FRAMING DETAIL
 3/4" = 1'-0"



11 BRIDGE FRAMING
 3/4" = 1'-0"

2/14/2020 9:39:15 AM
 BIM 360://198014-003 - Watson Park Events Center New Building/198014_MASTER STRUCT_R19.rvt

