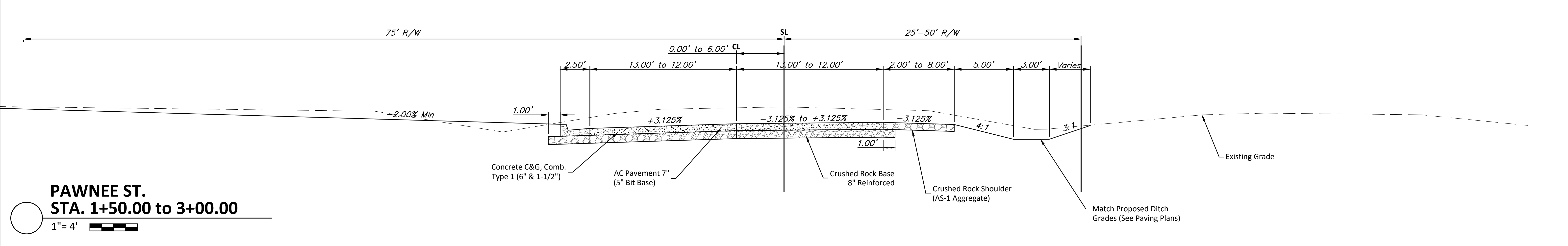


**PAWNEE ST.
STA. 1+00.00 to 1+50.00**

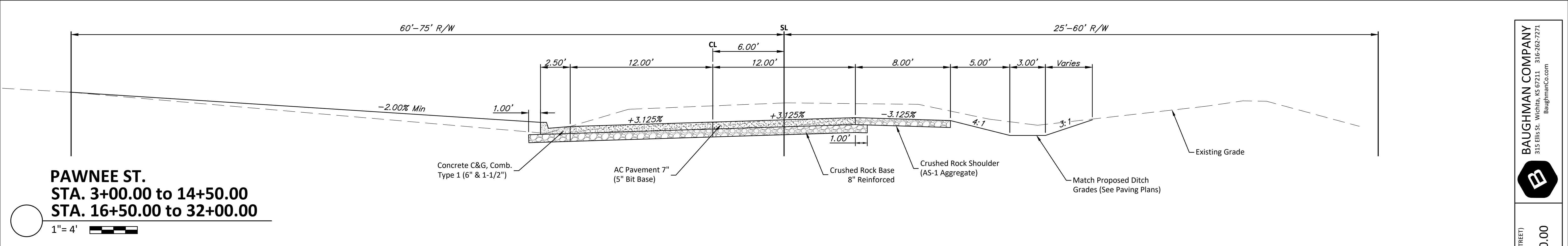
1" = 4'

ROCK SHOULDER SPECIFICATIONS:	PAVEMENT SPECS:
Follow KDOT Specs (See Section 1113 - Aggregates for Shoulder Construction)	BM-2 PG 64-22 (Base) PG 70-28 (Surface)



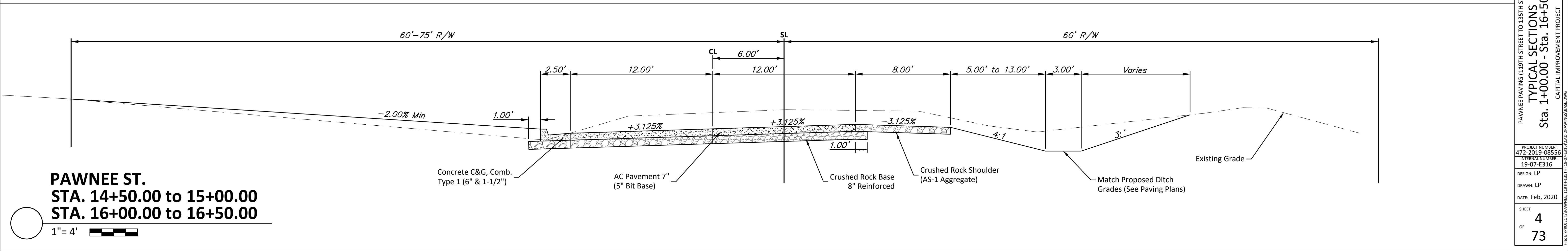
**PAWNEE ST.
STA. 1+50.00 to 3+00.00**

1" = 4'



**PAWNEE ST.
STA. 3+00.00 to 14+50.00
STA. 16+50.00 to 32+00.00**

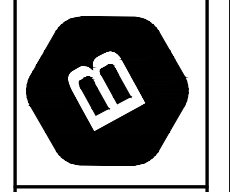
1" = 4'



**PAWNEE ST.
STA. 14+50.00 to 15+00.00
STA. 16+00.00 to 16+50.00**

1" = 4'

BAUGHMAN COMPANY
315 Ellis St. Wichita, KS 67211
316-262-7271
BaughmanCo.com



PAWNEE PAVING (119TH STREET TO 135TH STREET)
TYPICAL SECTIONS
Sta. 1+00.00 - Sta. 16+50.00
CAPITAL IMPROVEMENT PROJECT

PROJECT NUMBER	472-2019-08556
INTERNAL NUMBER	19-07-E316
DESIGN: LP	
DRAWN: LP	
DATE: Feb, 2020	
SHEET	4
OF	73