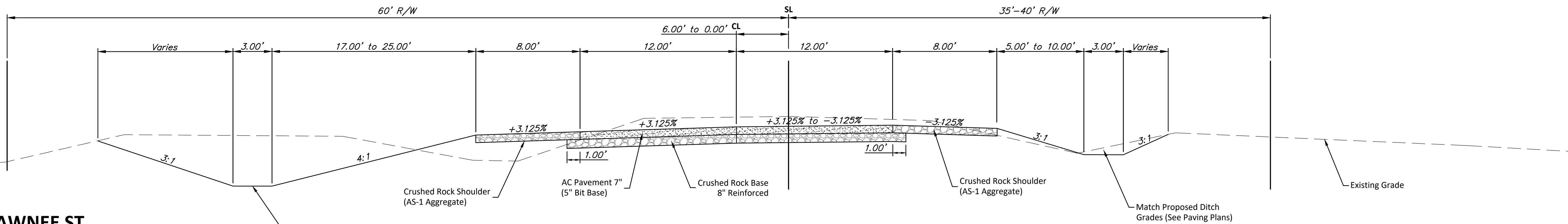


**PAWNEE ST.
STA. 15+00.00 to 16+00.00**

1" = 4'

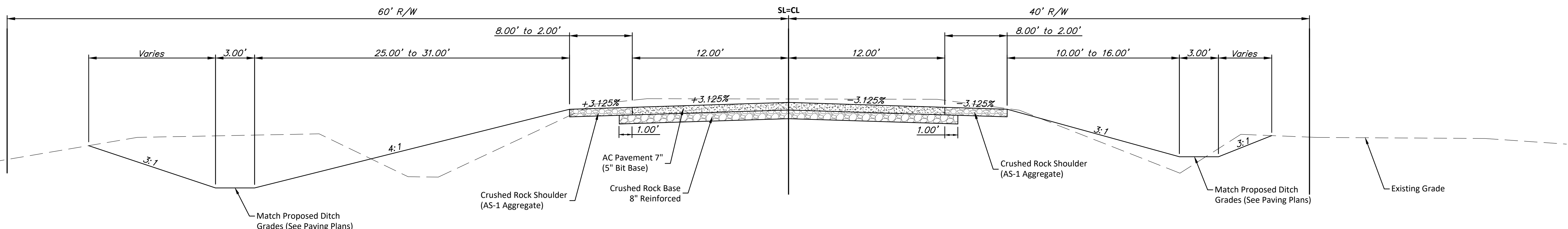
ROCK SHOULDER SPECIFICATIONS:
Follow KDOT Specs (See Section 1113 - Aggregates for Shoulder Construction)

PAVEMENT SPECS:
BM-2
PG 64-22 (Base)
PG 70-28 (Surface)



**PAWNEE ST.
STA. 32+00.00 to 33+50.00**

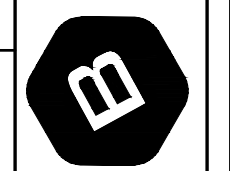
1" = 4'



**PAWNEE ST.
STA. 33+50.00 to 34+00.00**

1" = 4'

BAUGHMAN COMPANY
315 Ellis St. Wichita, KS 67211
316-262-7271
BaughmanCo.com



PAWNEE PAVING (119TH STREET TO 135TH STREET)
TYPICAL SECTIONS
Sta. 15+00.00 - Sta. 34+00.00
CAPITAL IMPROVEMENT PROJECT

PROJECT NUMBER: 472-2019-08556
INTERNAL NUMBER: 19-07-E316
DESIGN: LP
DRAWN: LP
DATE: Feb, 2020
SHEET
OF
5
73