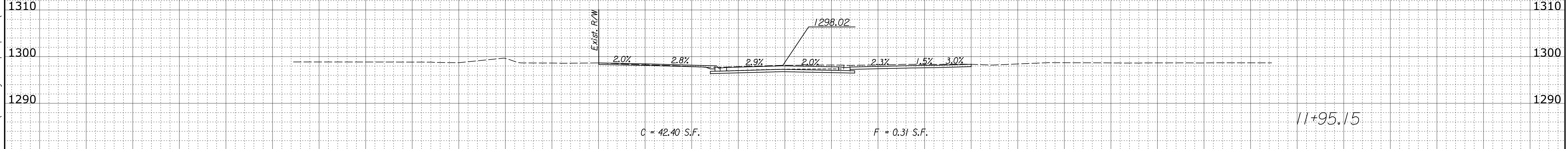
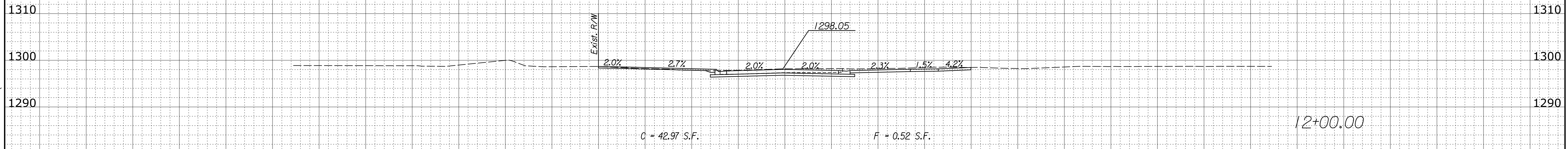
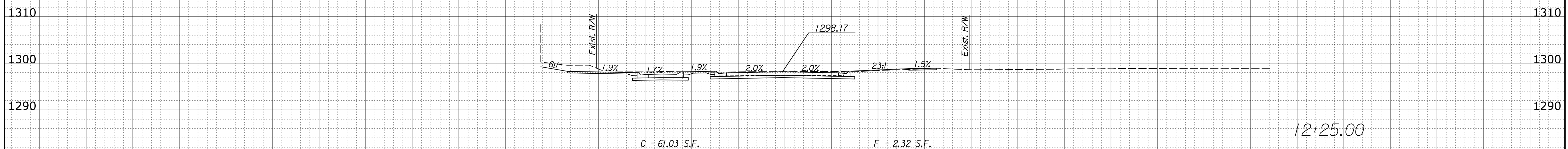
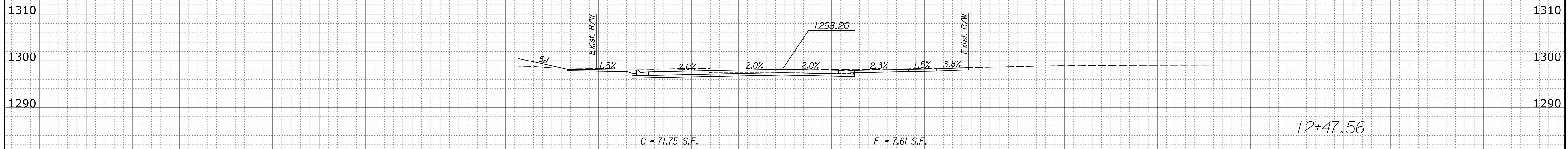


STATE	PROJECT NO.	YEAR	SHEET NO.	TOTAL SHEETS
KANSAS	472-85463	2020	84	97



Sycamore Street Improvements
11+95.15 to 12+47.56

Plotted B:\road Plotted6/1/2020 File z:\transystems\pw_local\transyscorp-pw1\taummel\d0694545\C-RDW-M01-801.dgn