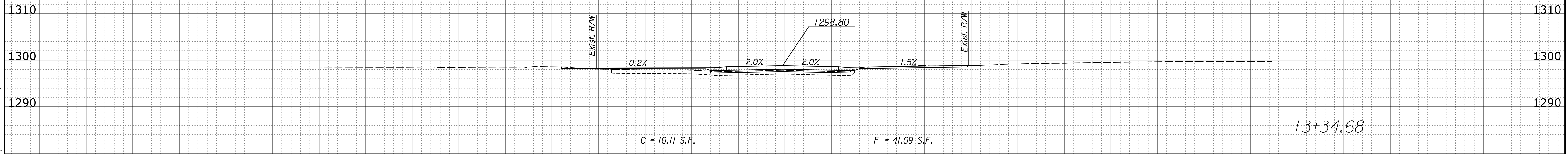
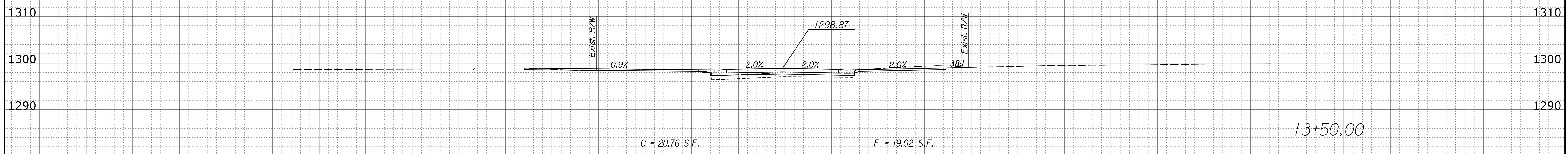
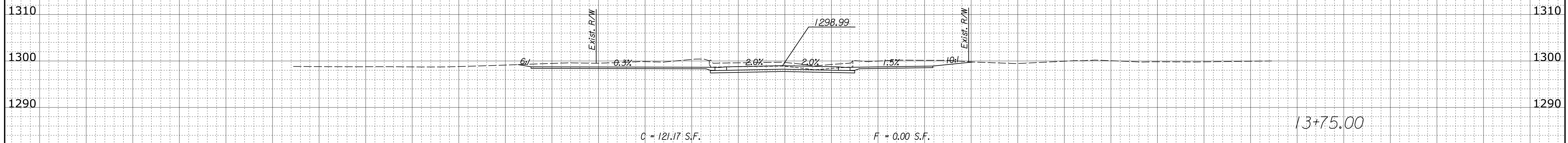


STATE	PROJECT NO.	YEAR	SHEET NO.	TOTAL SHEETS
KANSAS	472-85463	2020	86	97



Sycamore Street Improvements  
13+27.18 to 13+75.00

Plotted B:\road Plotted6/1/2020  
 File z:\transystems\pw\_local\transyscorp-pw1\taummel\d0694545\C-RDW-M01-801.dgn