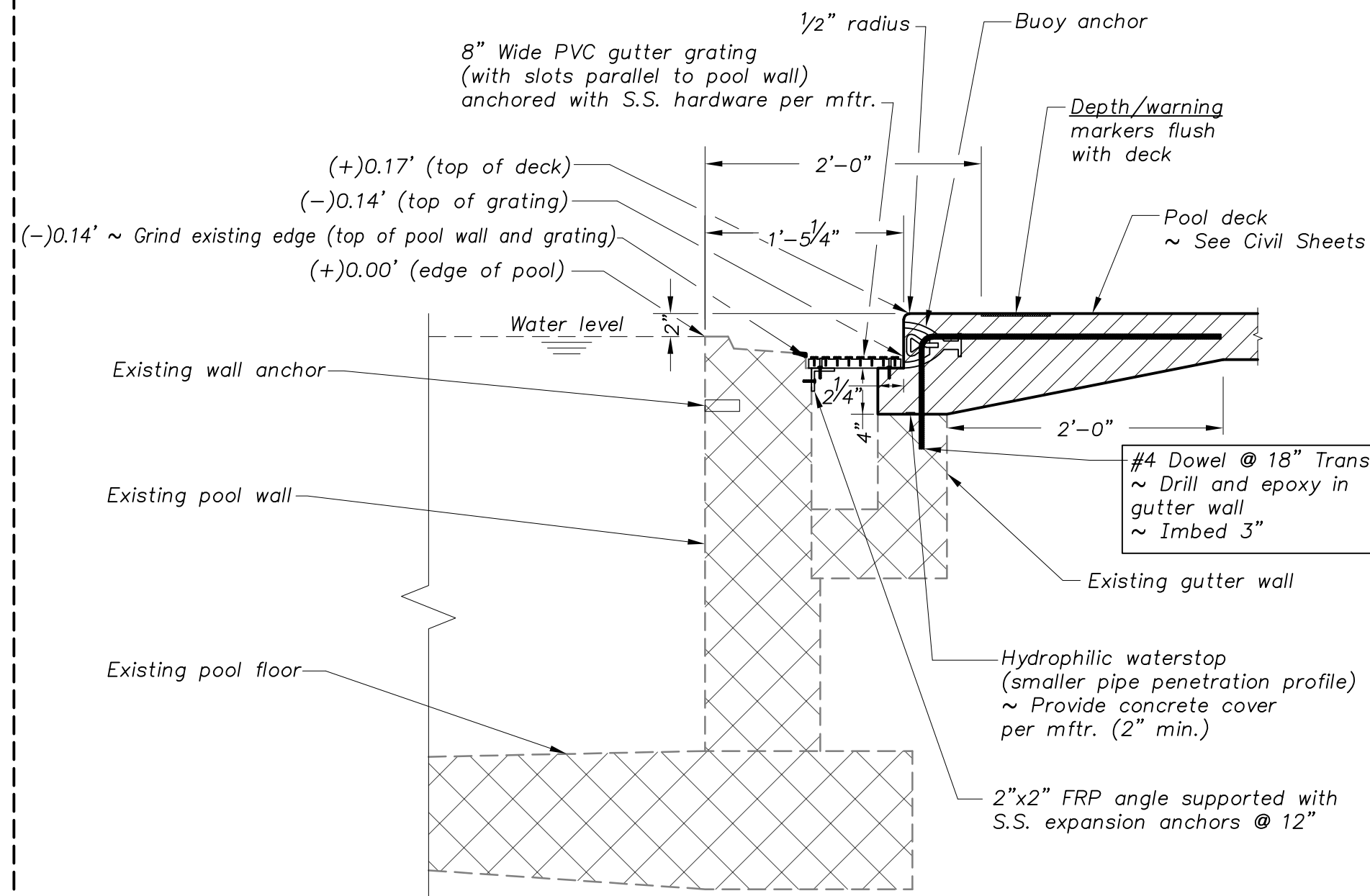


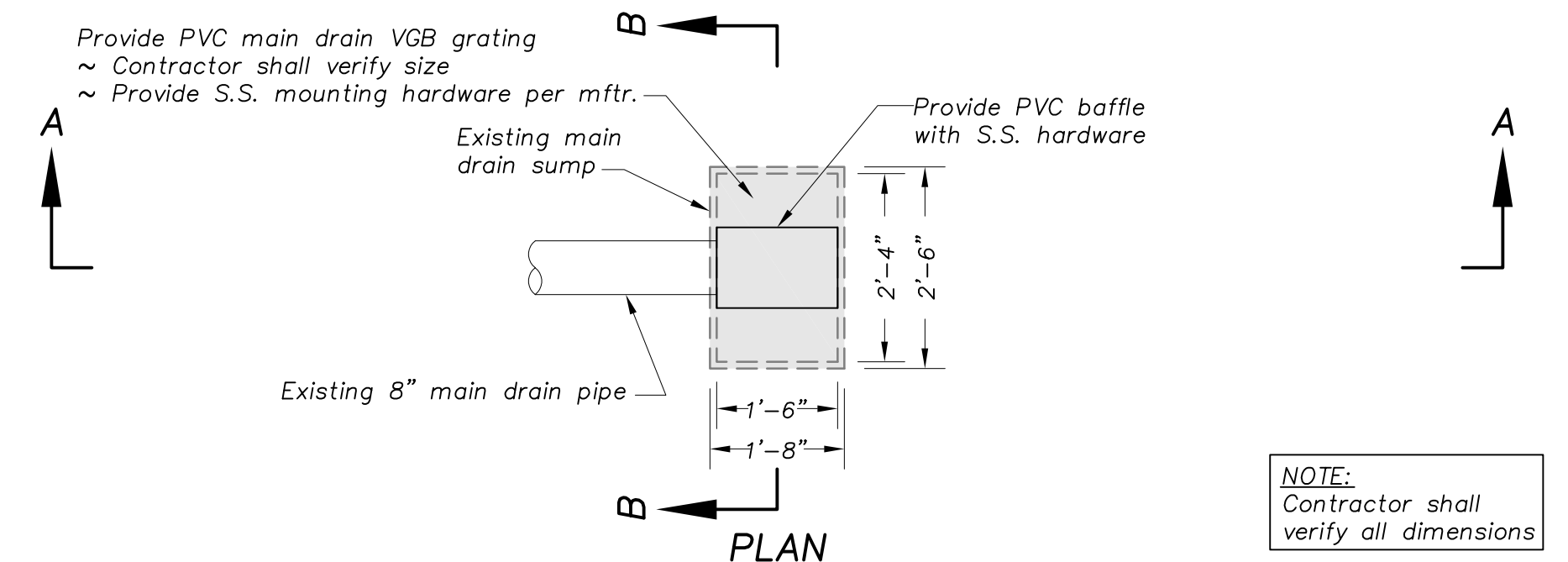
EXISTING POOL AND DECK DEMO



POOL DECK AND GUTTER GRATING

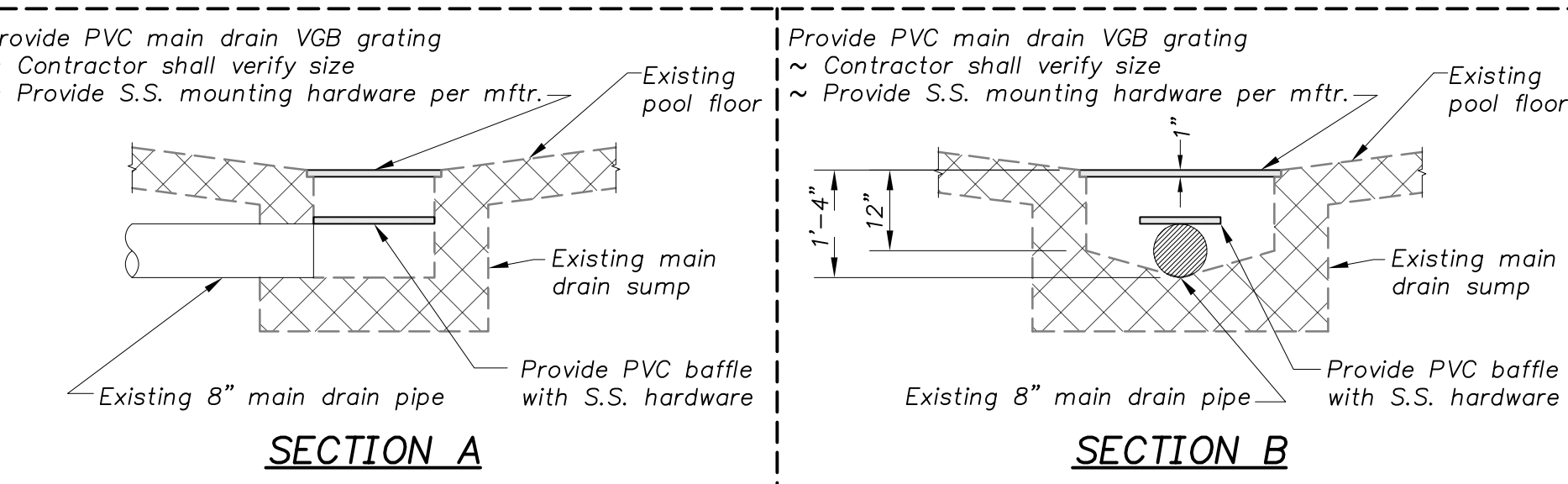
(A) POOL DECK AND GUTTER GRATING DETAIL

Scale: 1"=1'-0"



PLAN

NOTE: Contractor shall verify all dimensions

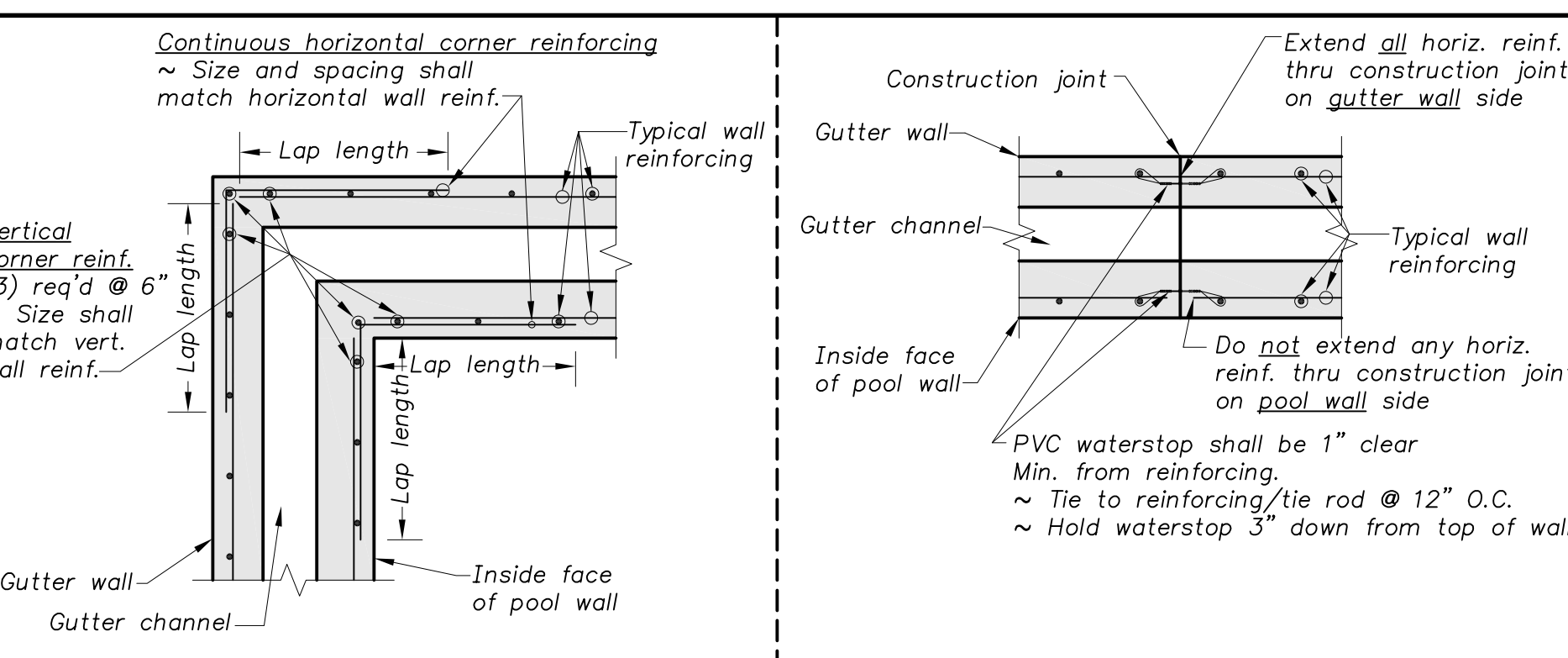


SECTION A

SECTION B

(B) MAIN DRAIN BAFFLE AND GRATE DETAIL

Scale: 1/2"=1'-0"

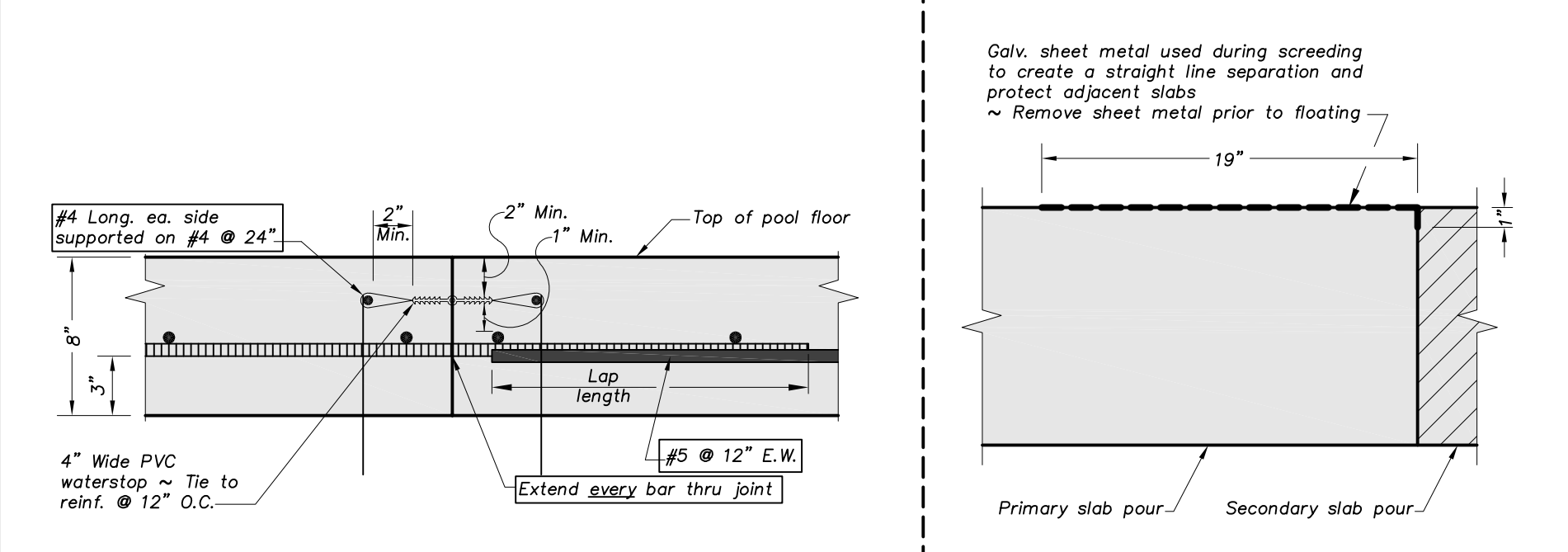


POOL WALL CORNER - 5'-0" AND SHALLOWER

POOL WALL JOINT - 5'-0" AND SHALLOWER

(C) POOL WALL REINFORCING DETAILS

Scale: 1/2"=1'-0"

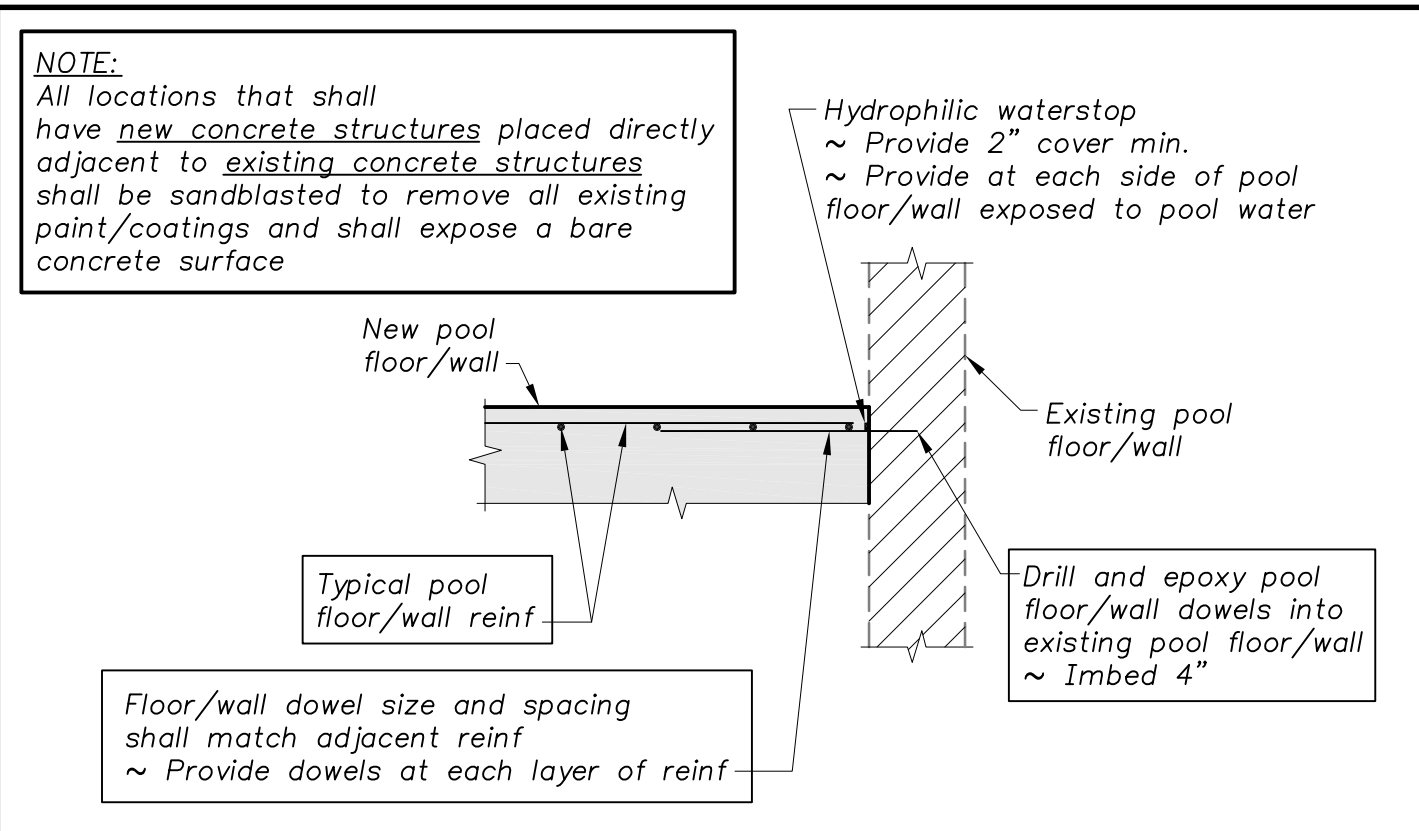


8" POOL FLOOR DETAIL

SLAB FINISH PROTECTION STRIP

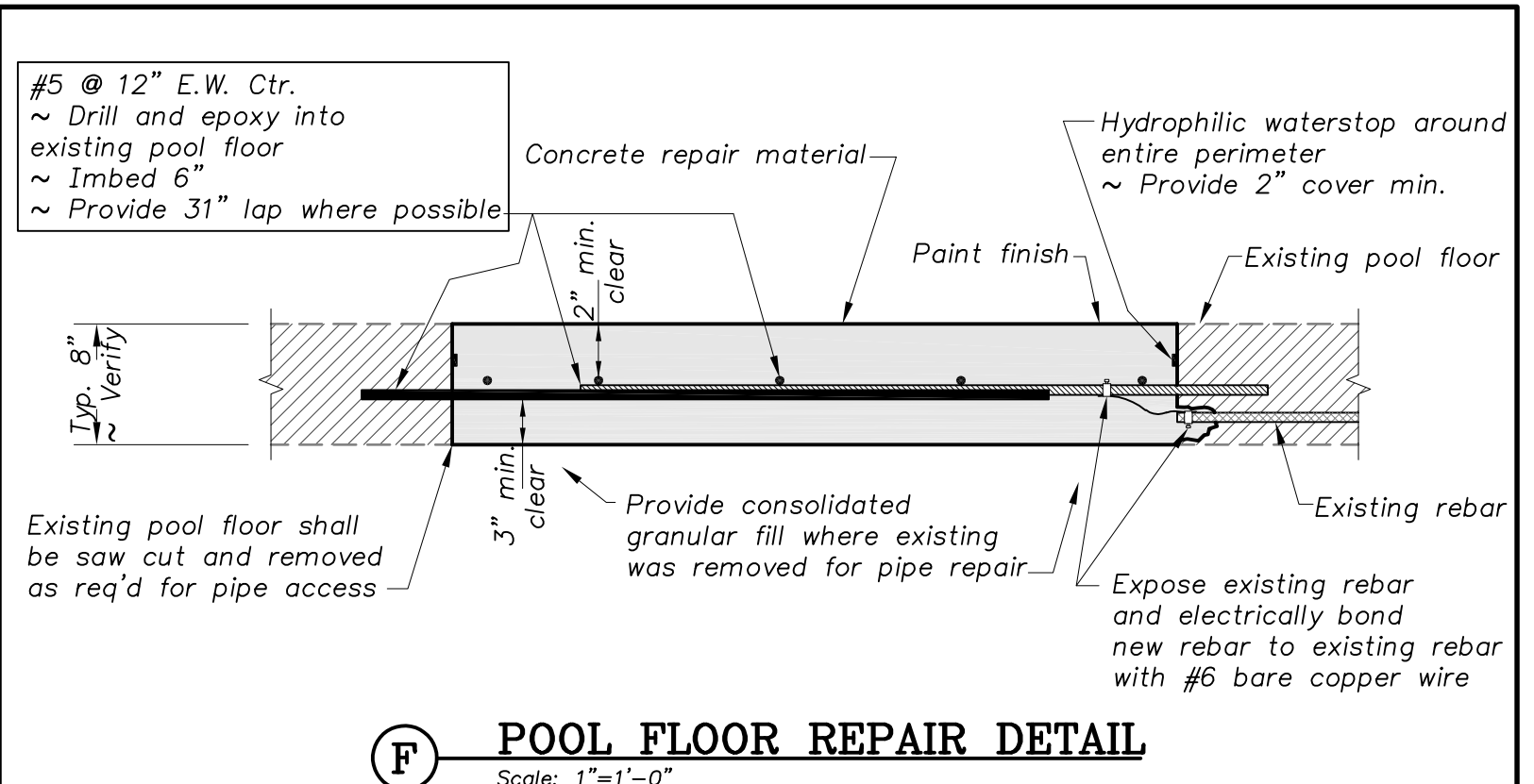
(D) POOL FLOOR DETAILS

Scale: 1/2"=1'-0"



(E) POOL FLOOR/WALL AT EXISTING POOL FLOOR/WALL JOINT DETAIL

Scale: 1/2"=1'-0"



(F) POOL FLOOR REPAIR DETAIL

Scale: 1"=1'-0"

LAP LENGTH SCHEDULE

BAR SIZE	LAP LENGTH	HOOK LENGTH
#3	19"	7"
#4	26"	10"
#5	31"	12"
#6	37"	15"
#7	54"	17"
#8	62"	19"

- NOTES:
- Bar lap length of smaller diameter bar shall be used when splicing different size bars.
 - Lap splices shall be wired in contact.
 - Tabulated values are based on 4000 psi, normal weight concrete with Grade 60 reinf.

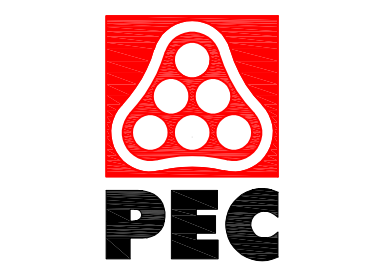
CONCRETE PROTECTION FOR REINFORCEMENT

CONDITION	MIN. COVER (INCHES)
Concrete cast against and permanently exposed to earth, subgrade, or granular fill	3"
Formed or top surfaces exposed to weather, submerged, or in contact with earth, including stirrups, ties, or spirals	2"
Formed concrete not exposed to earth, liquids, or weather:	
Slabs, walls, and joists	1 1/2"
Beams and columns primary reinforcement, ties, stirrups, and spirals	1 1/2"

- NOTES:
- The above minimum concrete cover shall be provided for reinforcement unless noted otherwise.
 - Placing reinforcement tolerances:
 - For members less than or equal to 8" Tolerance = (±3/8")
 - For members greater than 8" Tolerance = (±1/2")

GENERAL SHEET NOTES

- All El.'s shown (-)xx', are distances down from indicated Water El.
- All El.'s shown (+)xx', are distances up from indicated Water El.
- Form savers may be used at Contractor's option.
- Hold waterstop 1/2" clear Min. from reinforcing. Tie to reinforcing/tie rod @ 6" O.C.
- All form ties shall be 1/2" deep, cone snap type



WICHITA, KANSAS
Pool Improvements
HARVEST PARK



Jeff Bartley-ENGINEER
LICENSE #151116
Date: 08-14-20 Job #: 18-512
Drawn: SRS Checked: JAB

POOL AREA DETAILS

SP-PM2