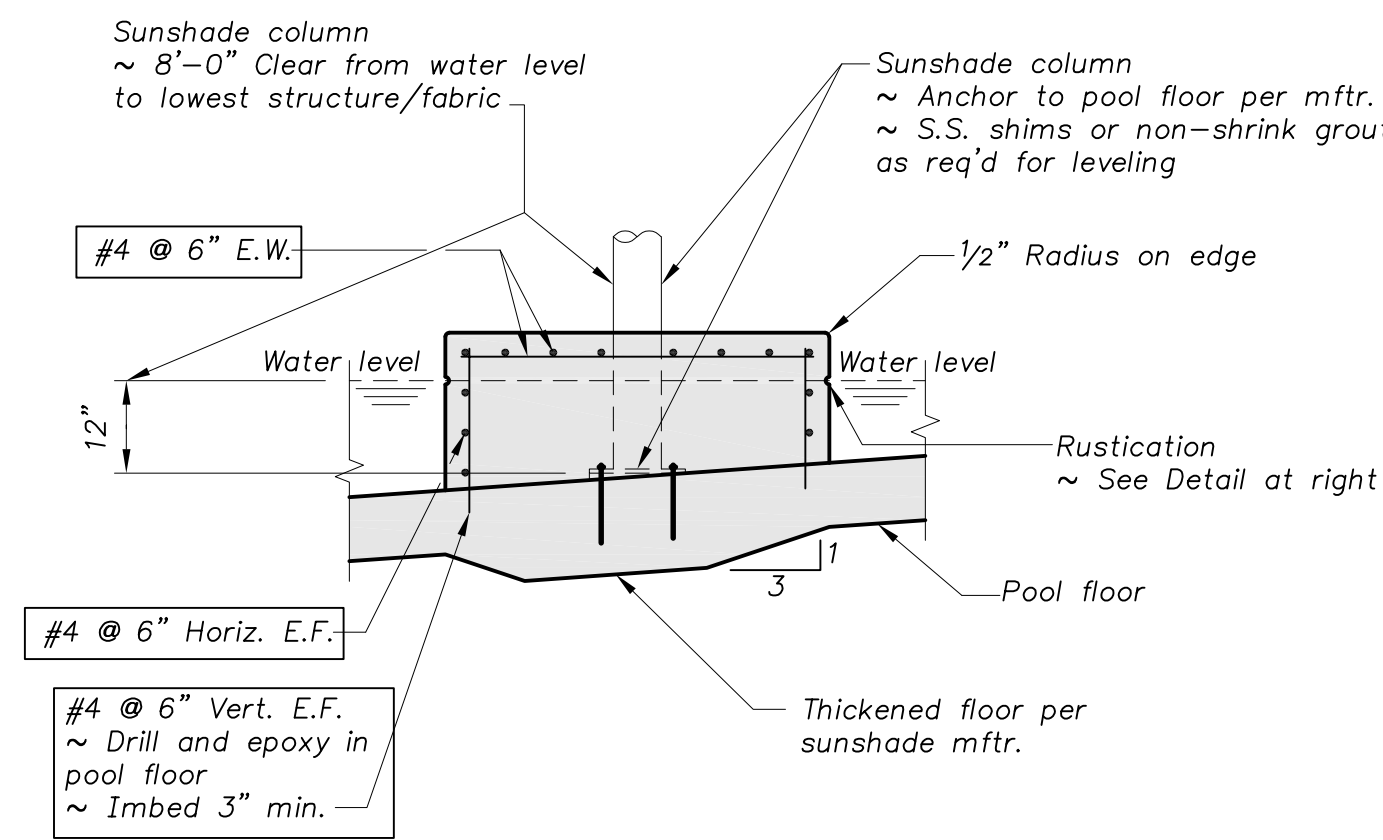
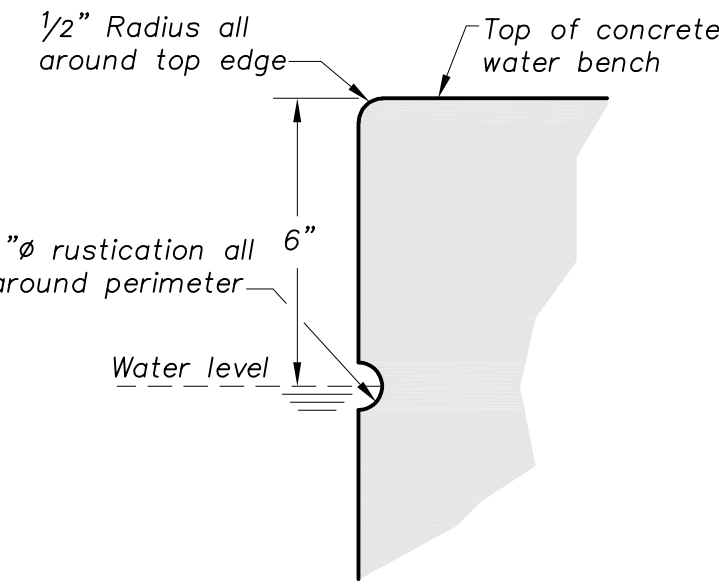


PLAN



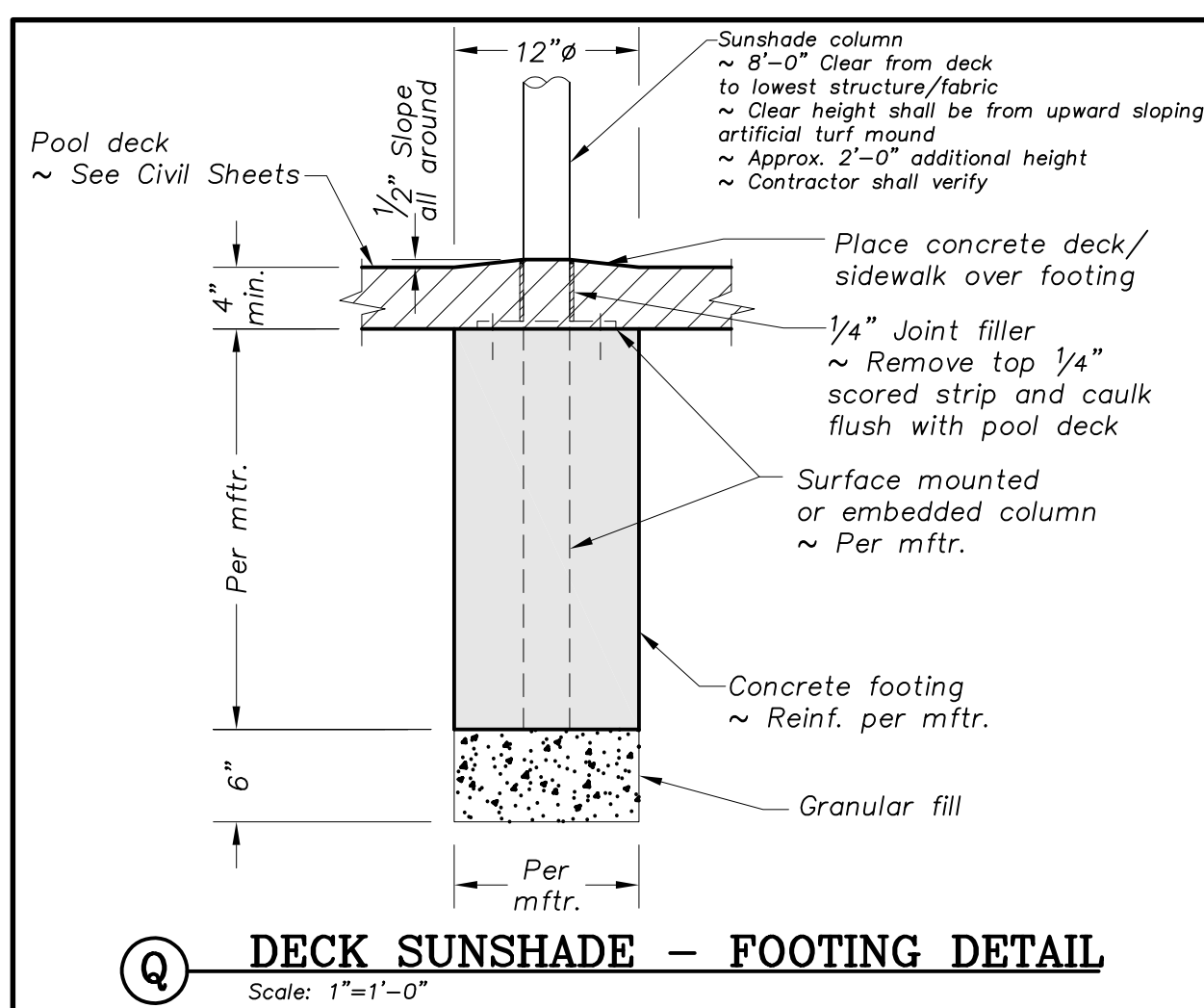
SECTION A

P WATER BENCH DETAIL
Scale: 1/2"=1'-0"

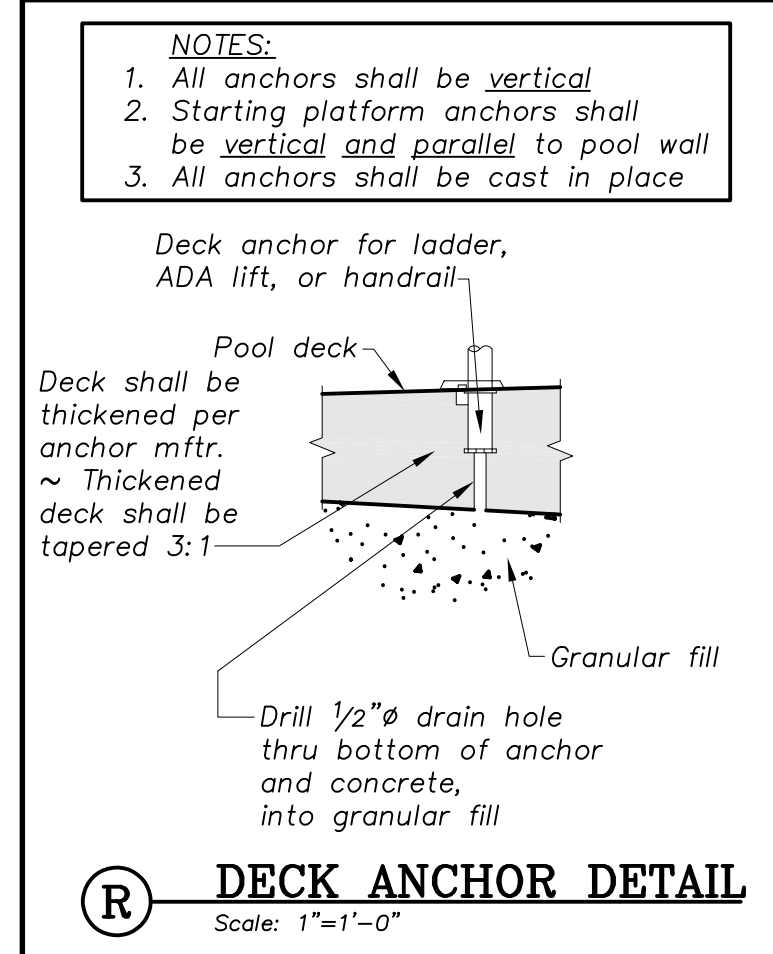


RUSTICATION DETAIL
Scale: 3"=1'-0"

REINFORCING AND BONDING NOTE:
Reinforcing that is cast-in-place or drilled & epoxied, or other metallic items, shall be electrically bonded per: National Electrical Code, 680-26



Q DECK SUNSHADE - FOOTING DETAIL
Scale: 1"=1'-0"



R DECK ANCHOR DETAIL
Scale: 1"=1'-0"

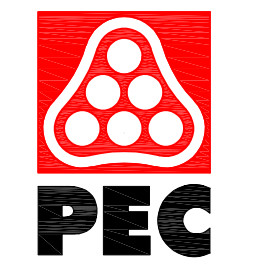
NOTES:

1. All anchors shall be vertical
2. Starting platform anchors shall be vertical and parallel to pool wall
3. All anchors shall be cast in place

Deck anchor for ladder, ADA lift, or handrail

Pool deck
Deck shall be thickened per anchor mfr.
~ Thickened deck shall be tapered 3:1

Drill 1/2"Ø drain hole thru bottom of anchor and concrete, into granular fill



WICHITA, KANSAS
Pool Improvements
HARVEST PARK



Jeff Bartley - ENGINEER
LICENSE #15116

Date: 08-14-20 Job #: 18-512

Drawn: SRS Checked: JAB

Issue: CONSTRUCTION DOCUMENTS

POOL AREA DETAILS

SP-PM5