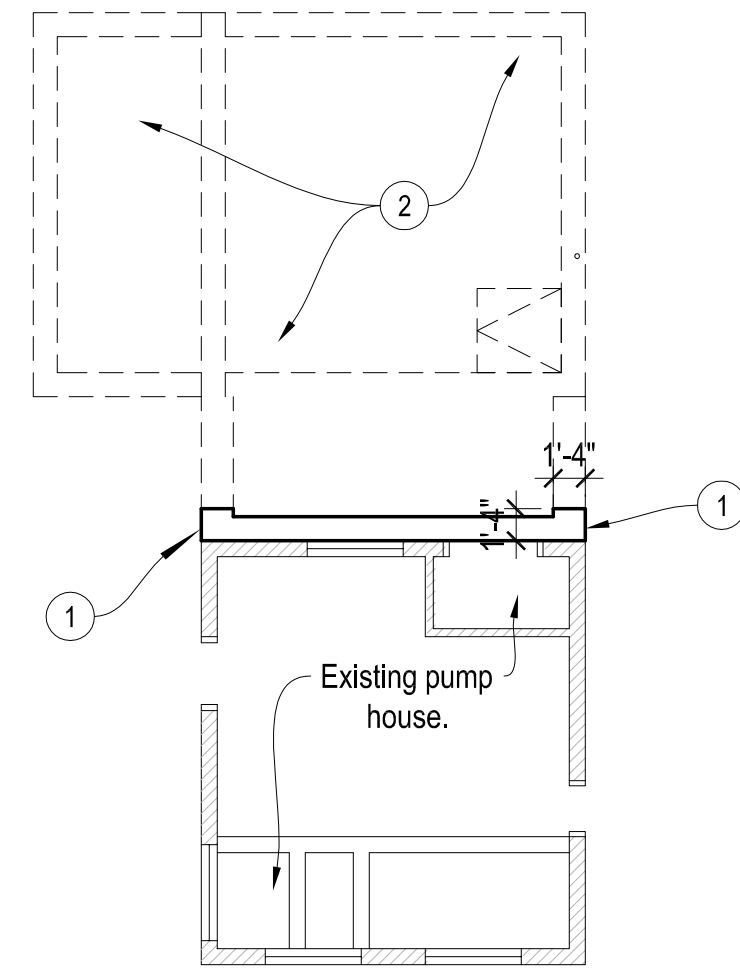


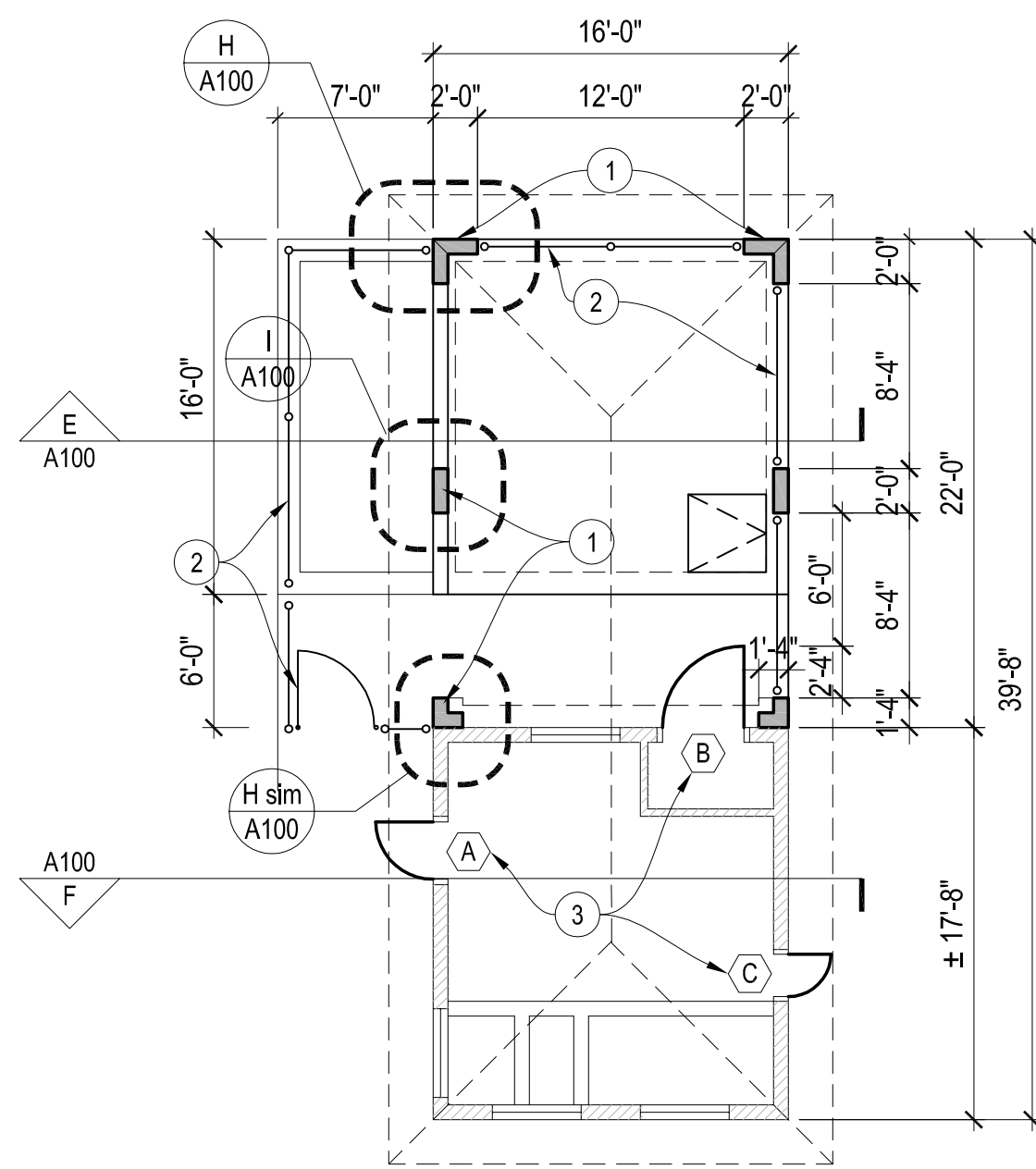
DEMOLITION PLAN KEYNOTES

1. Remove doors and frames.
2. Saw cut wood outriggers flush with face of brick and sand smooth and prepare for painted finish.
3. Saw cut wood T&G decking flush with existing top plate



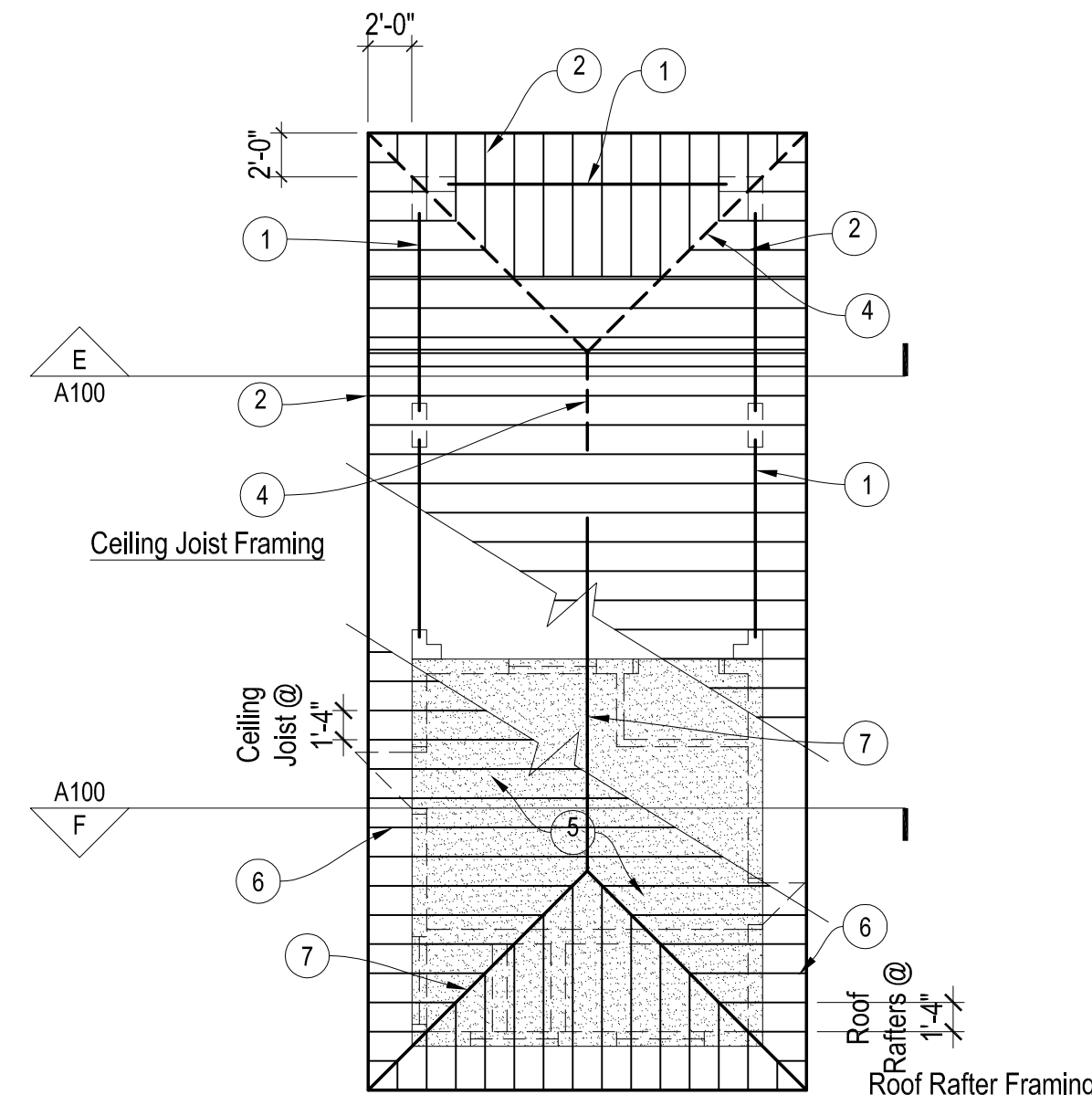
FOOTING PLAN KEYNOTES

1. 12" x 36" conc. grade beam w/ (2) #5's top & bottom and #3 ties at 32" o.c. Dowel grade beam into existing foundation w/10" #4's @ 32" o.c. (min. 3" embedment).
2. See Pool Structural Drawings for footings, foundation and cast-in-place lid @ new filter basin this area.



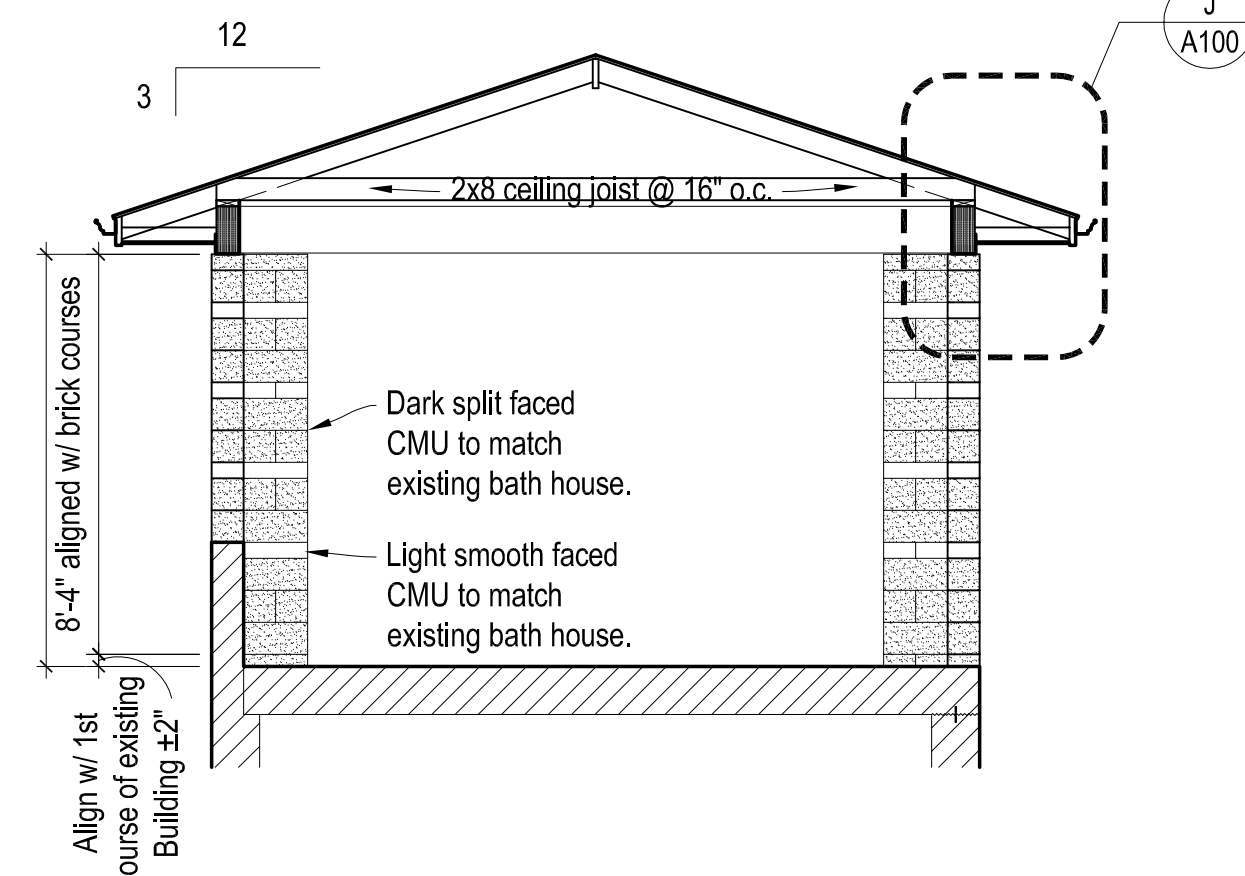
FLOOR PLAN KEYNOTES

1. 8" integral colored smoothed faced CMU to match primary pool house building, typical
2. 6' tall wire fence, fence posts and 42" wide gate.
3. New flush FRP replacements for door and frame. Door A - 2'-8" x 6'-8" no louver. Door B - 3'-4" x 6'-8" w/ 24" x 24" louver. Door C - 2'-0" x 6'-8" no louver.



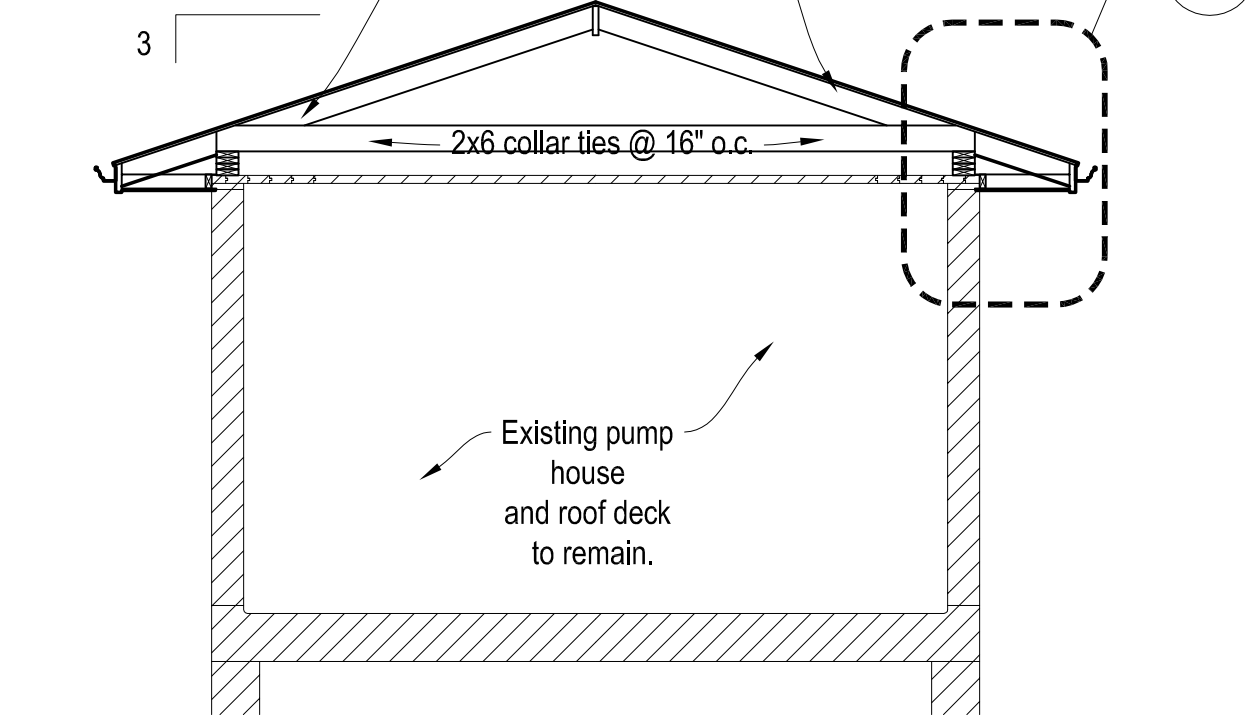
FRAMING AND ROOF/ATTIC PLAN KEYNOTES

1. 6x12 OR 5 1/2 x 12 Glulam (24FV4) header w/ pre-finished metal flashing wrap to match primary pool house, typical.
2. Ceiling joist - 2x8's @ 16" o.c.
3. Double ceiling joist - (2) 2x8's.
4. Line of ridge or hip above.
5. Area where existing roof/attic floor deck is to remain.
6. Roof rafters - 2x6's @ 16" o.c.
7. 2x8 hip and/or ridge rafter.



BUILDING SECTION E

Scale: 1/4"=1'-0"



BUILDING SECTION F

Scale: 1/4"=1'-0"

A DEMOLITION PLAN

Scale: 1/8"=1'-0"

B FOOTING PLAN

Scale: 1/8"=1'-0"

C NEW FLOOR PLAN

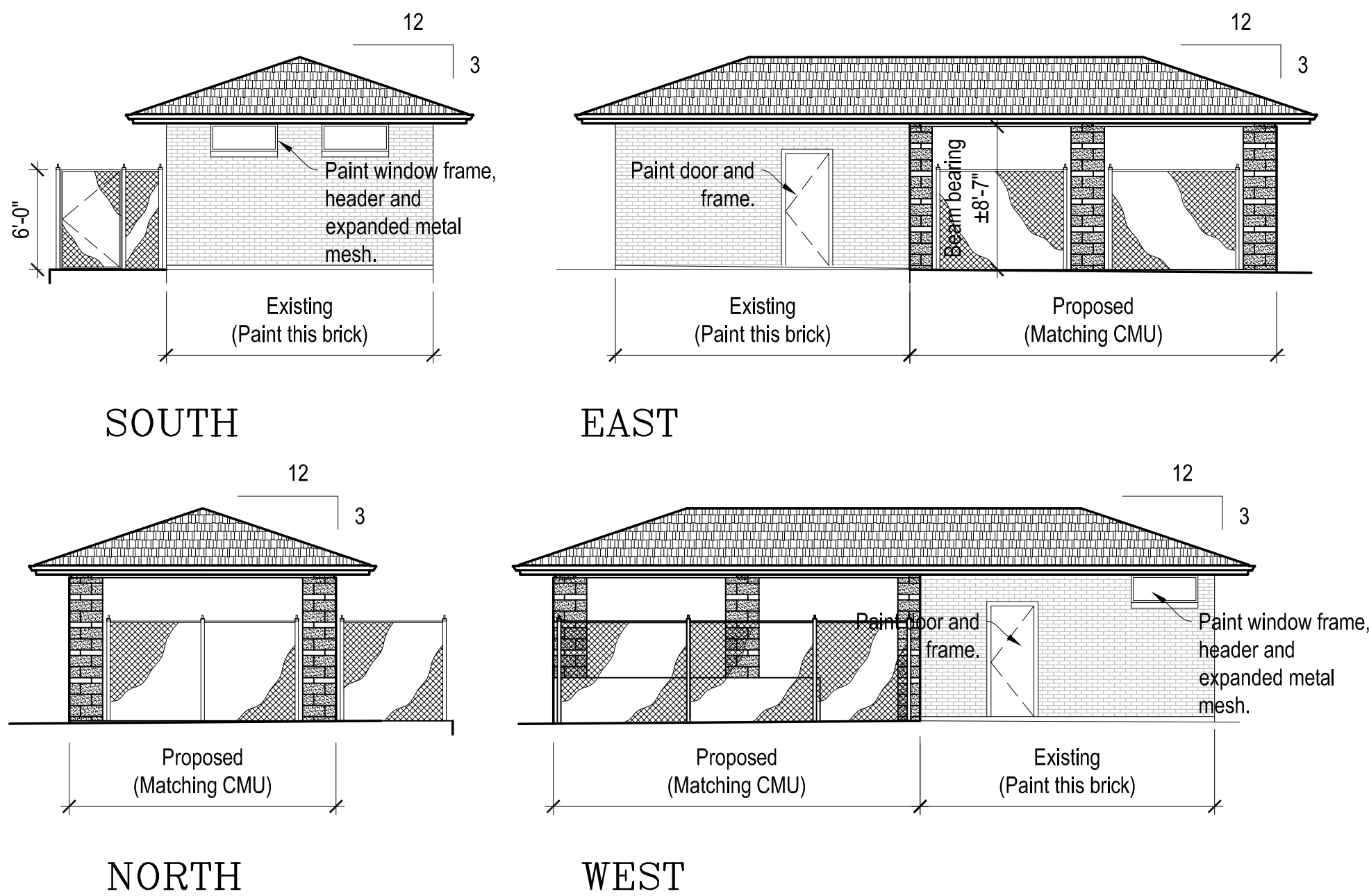
Scale: 1/8"=1'-0"

D ROOF PLAN

Scale: 1/8"=1'-0"

F BUILDING SECTION

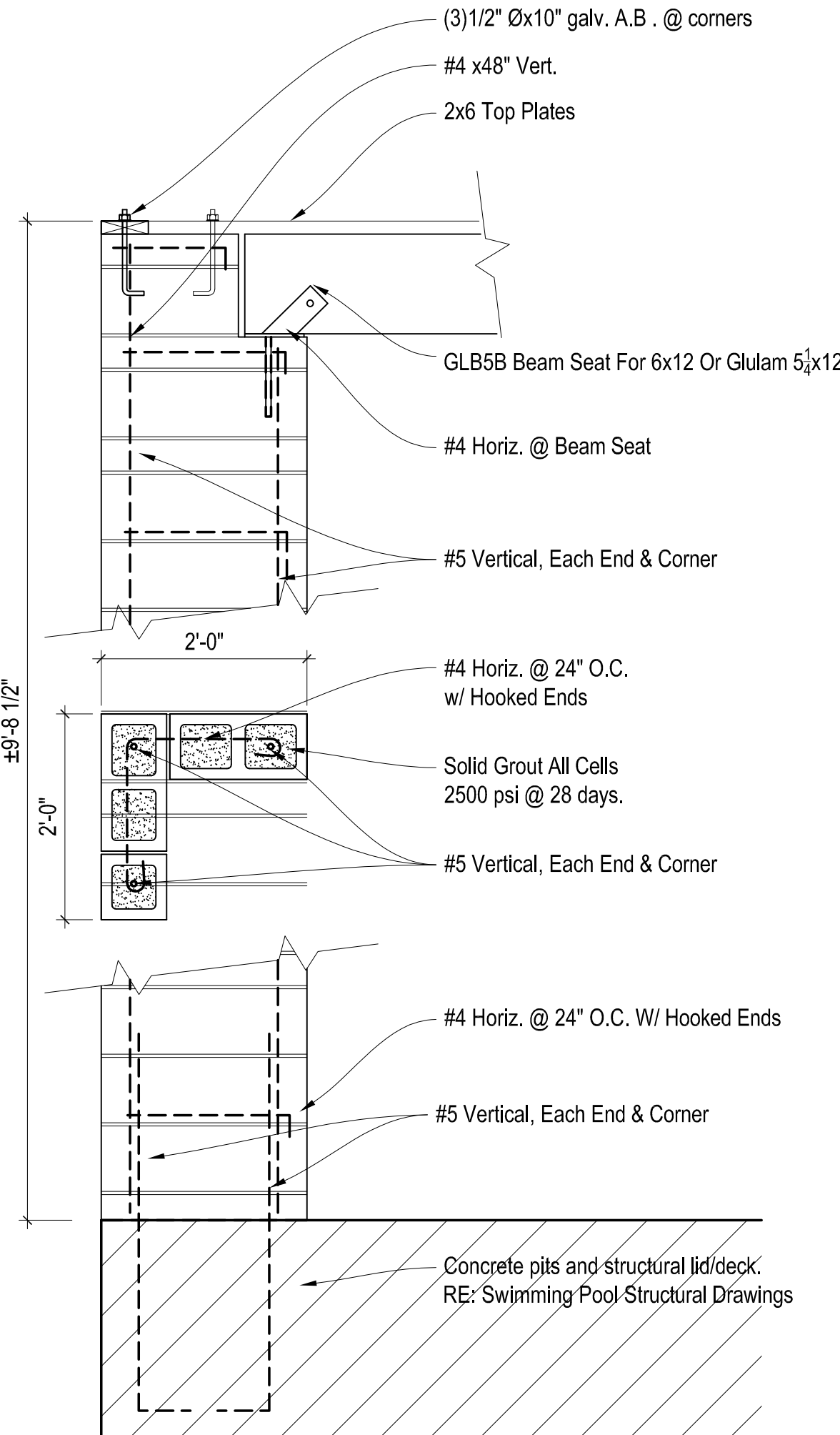
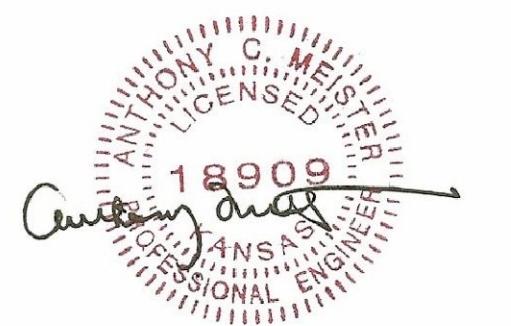
Scale: 1/4"=1'-0"



G EXTERIOR BUILDING ELEVATIONS

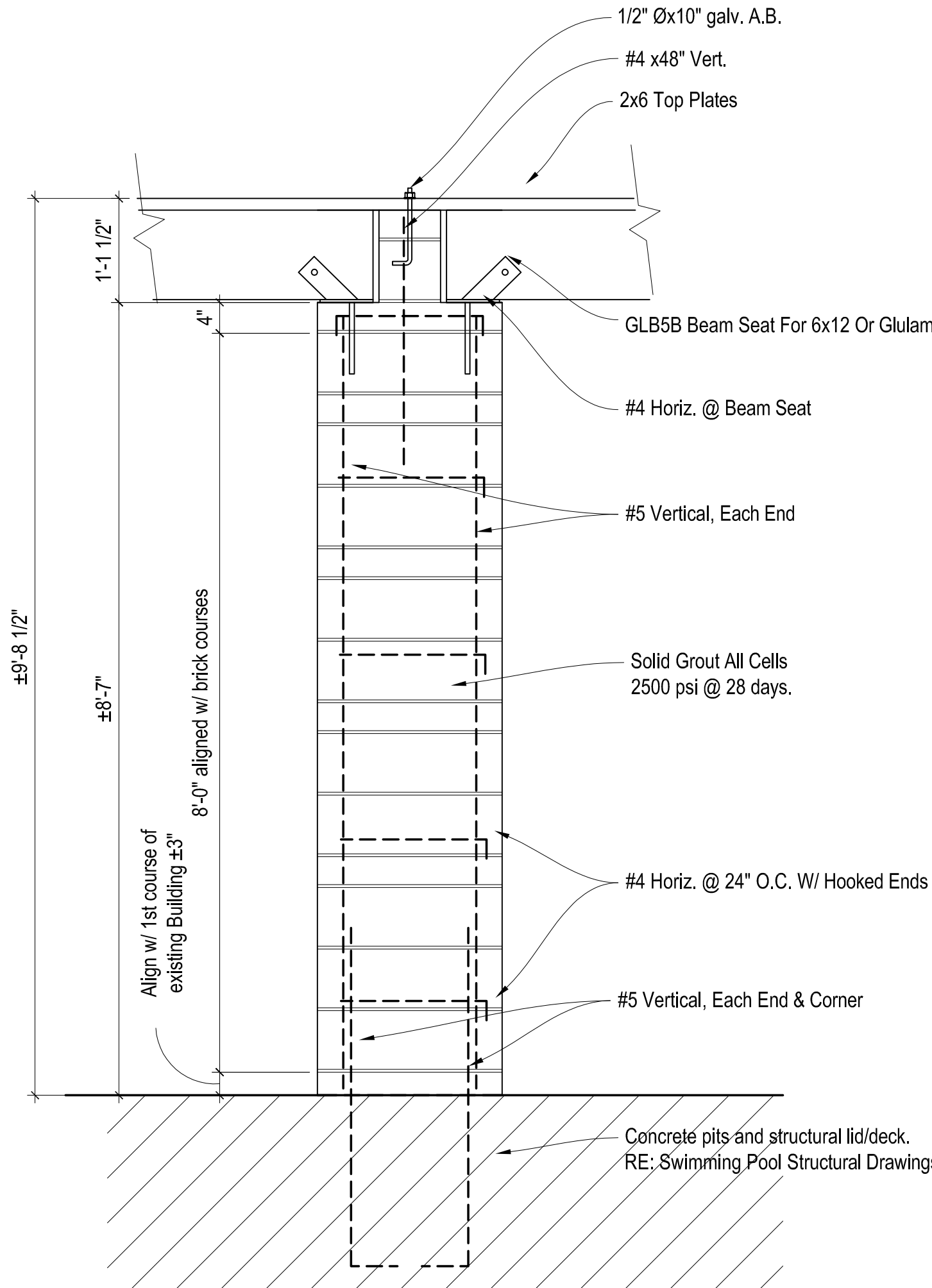
Scale: 1/8"=1'-0"

Structural Design Loading Parameters
 Per the requirement No. D(6)(b) of the Plan Submittal Guide and I.B.C. Sec. 1603.1 (Exception) (Item No. 1, 2, 3, and 4). The following design loads are documented:
 Roof Live Load - 20 p.s.f. with no tributary live load reduction
 Ground Snow Load - 15 p.s.f.
 Ultimate Design Wind Speed - 115 mph
 Nominal Design Wind Speed - 115 mph
 Wind Exposure - C
 Risk Category - II
 Seismic Design Category - SDC B
 Design Cs - 3%
 SMI=0.1296, SMS=0.16



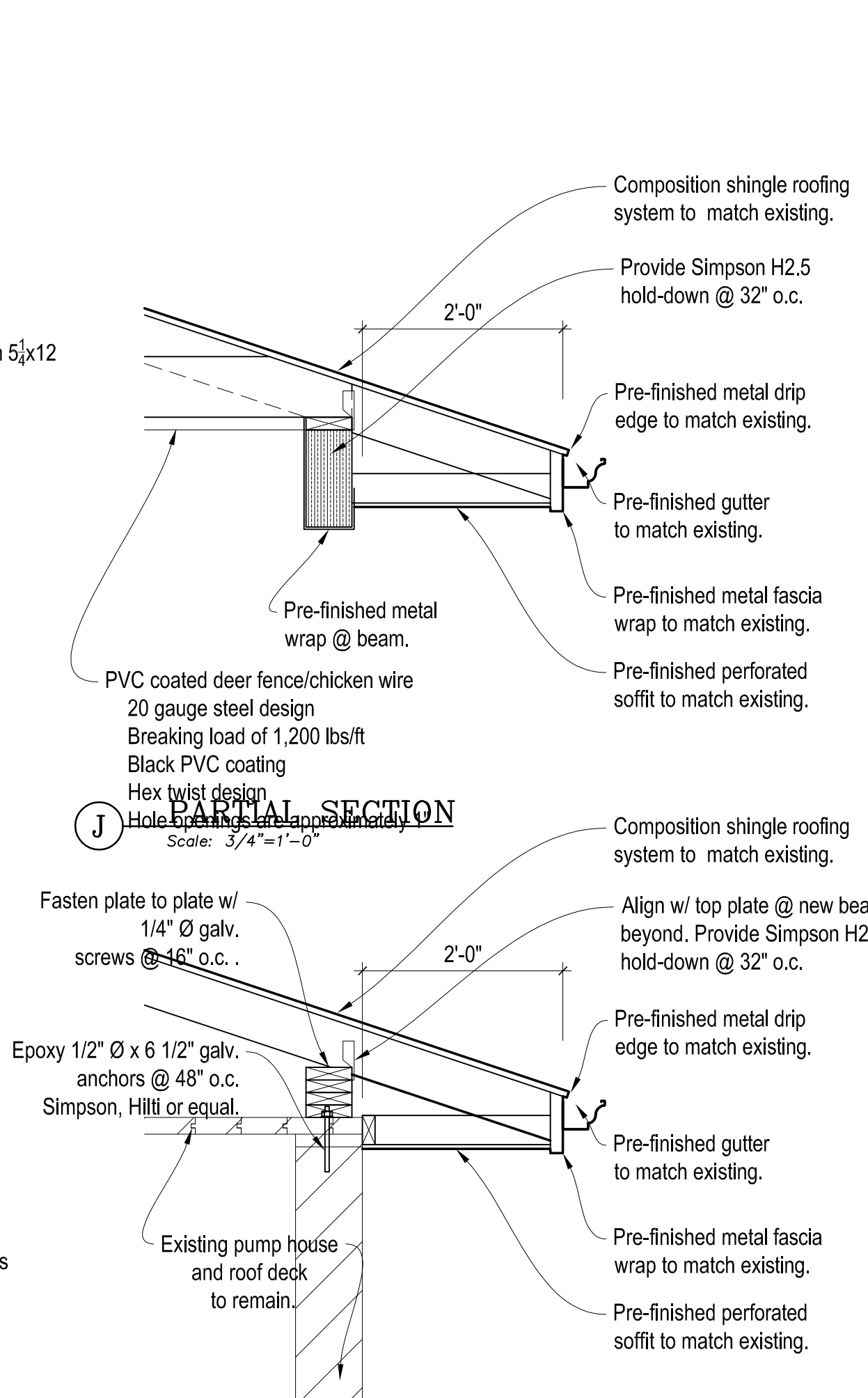
H WALL SECTION

Scale: 3/4"=1'-0"



I WALL SECTION

Scale: 3/4"=1'-0"



J PARTIAL SECTION

Scale: 3/4"=1'-0"

waters edge AQUATIC DESIGN
 11205 W. 79th St.
 Lenexa, KS 66214
 t. 913.438.4338
 www.WeDesignPools.com
 Kansas STATE CERTIFICATE OF AUTHORITY #E-990
PEC
 landworks STUDIO
 ARCHITECTURAL URBAN PRAIRIE COLLABORATIVE, P.C.
H&B TROSS & BROWN ENGINEERS

WICHITA, KANSAS
Pool Improvements
HARVEST PARK
 CITY OF WICHITA

PAUL MINTO
 KANSAS PROFESSIONAL ENGINEER
 LICENSE #3118
 08-14-2020
 Pool Minto - Architect
 LICENSE #3118
 Date: 14-2020 Job #: 18-512
 Drawn: Checked:
 Issue: CONSTRUCTION DOCUMENTS
ARCHITECTURAL PLAN