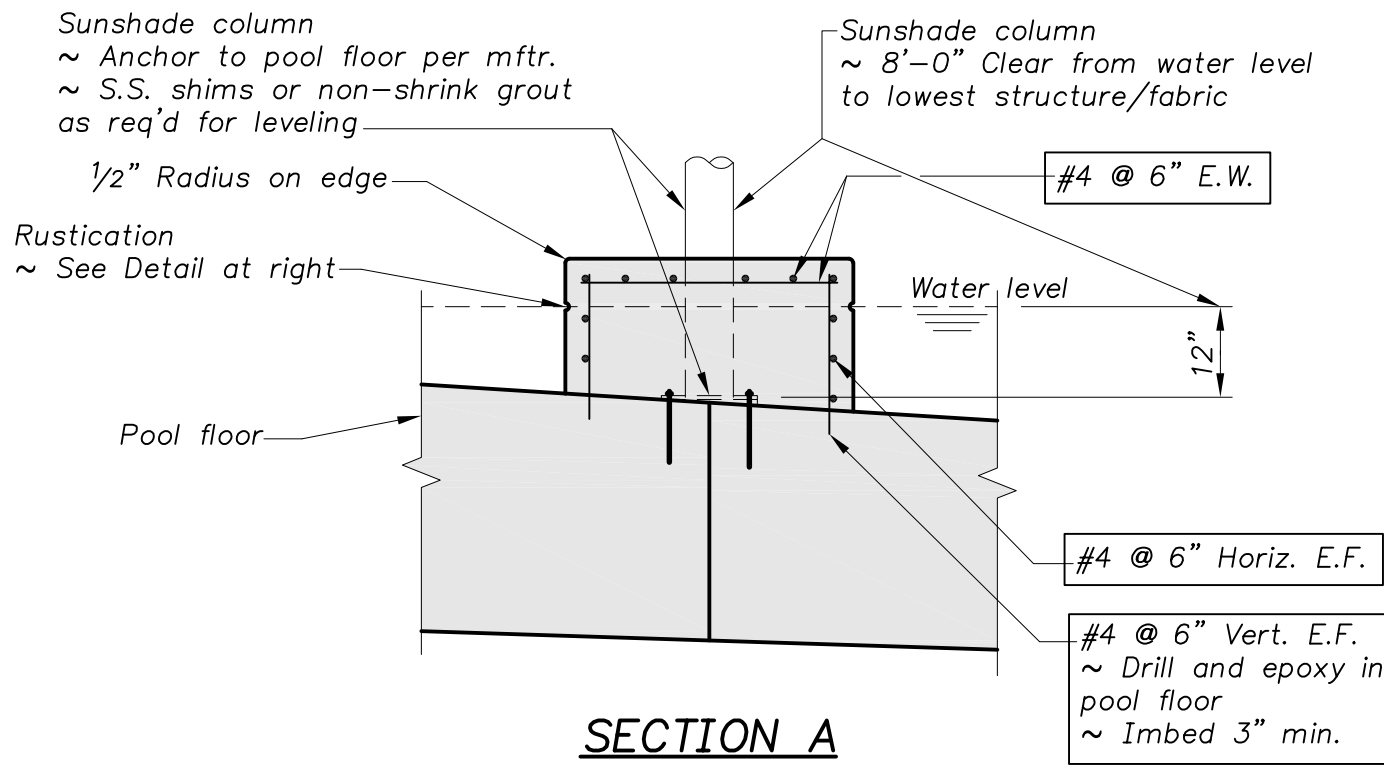
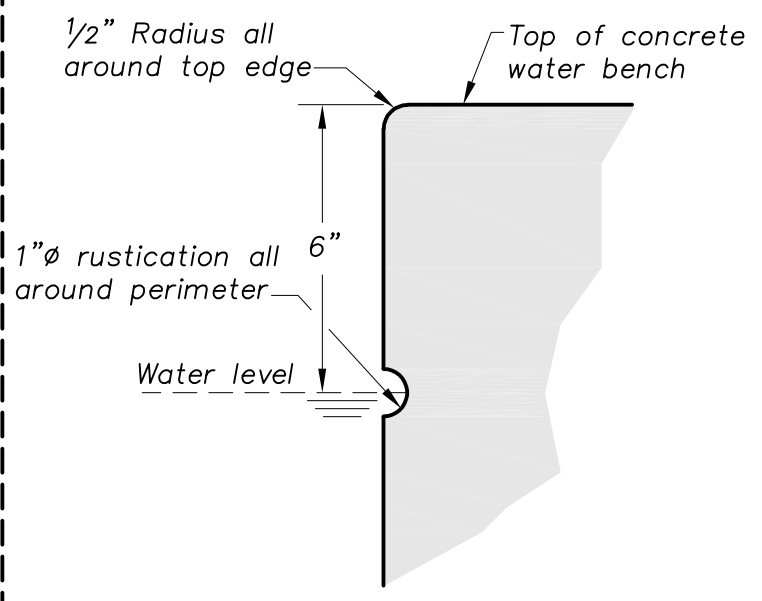


**PLAN**



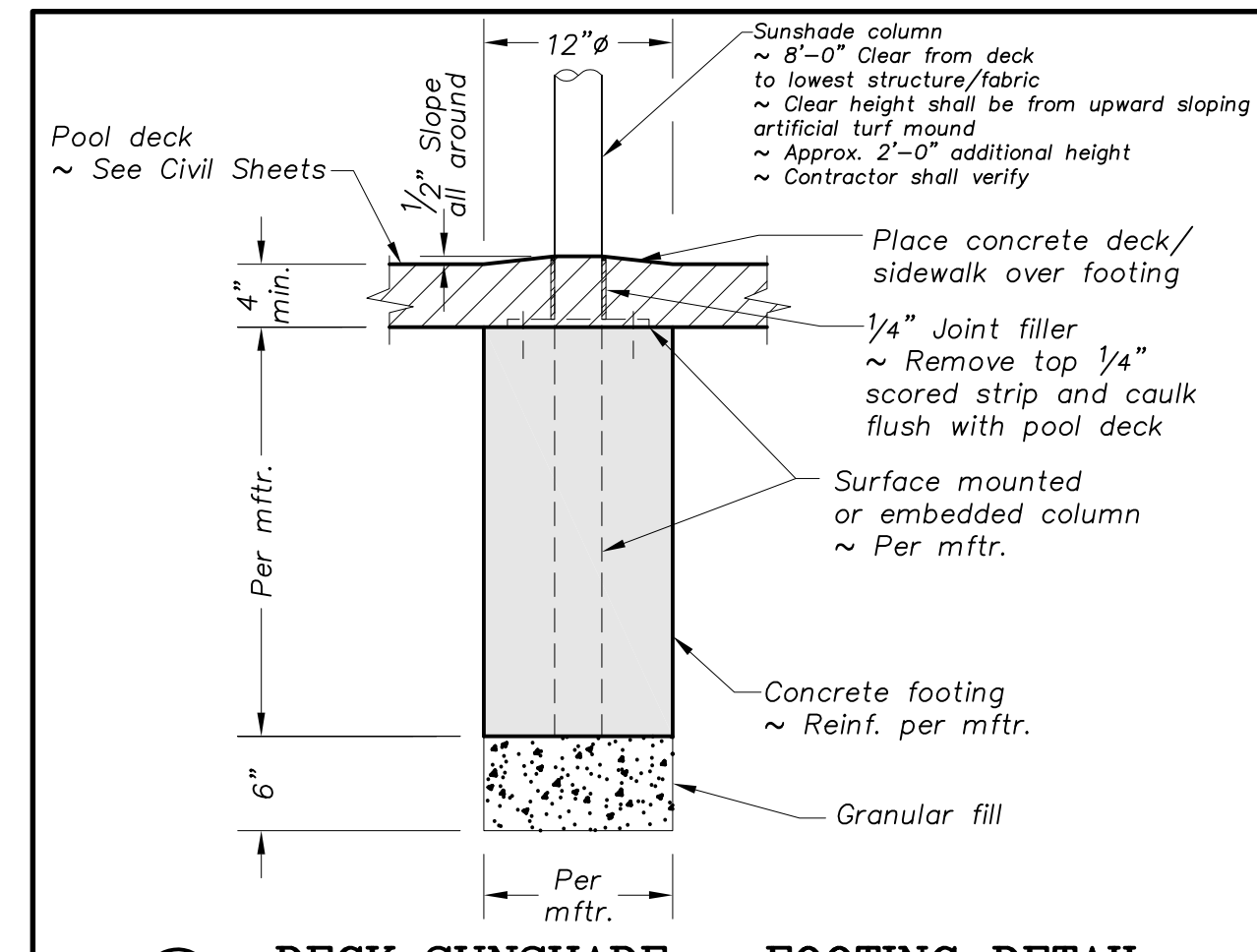
**SECTION A**

**L WATER BENCH DETAIL**  
Scale: 1/2"=1'-0"

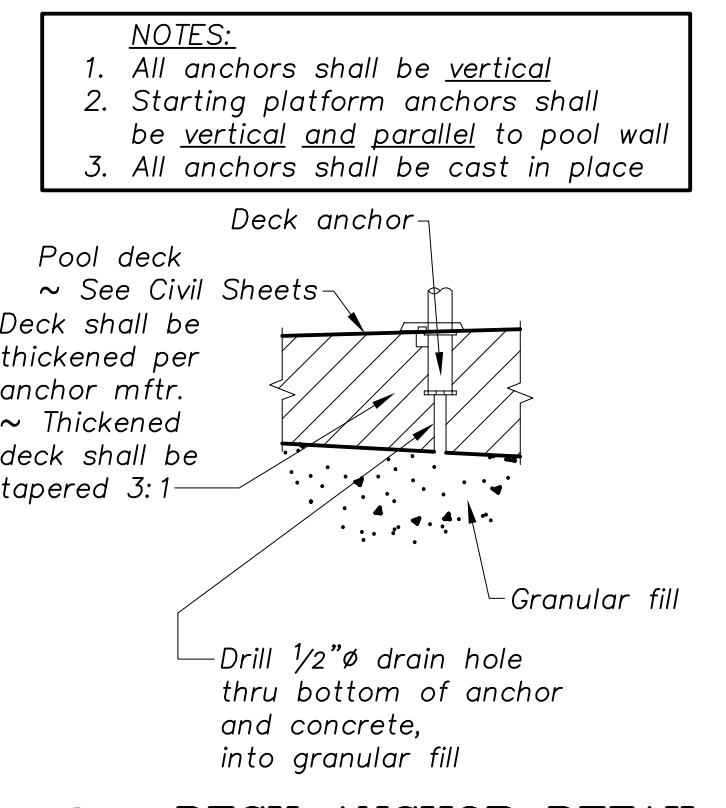


**RUSTICATION DETAIL**  
Scale: 3"=1'-0"

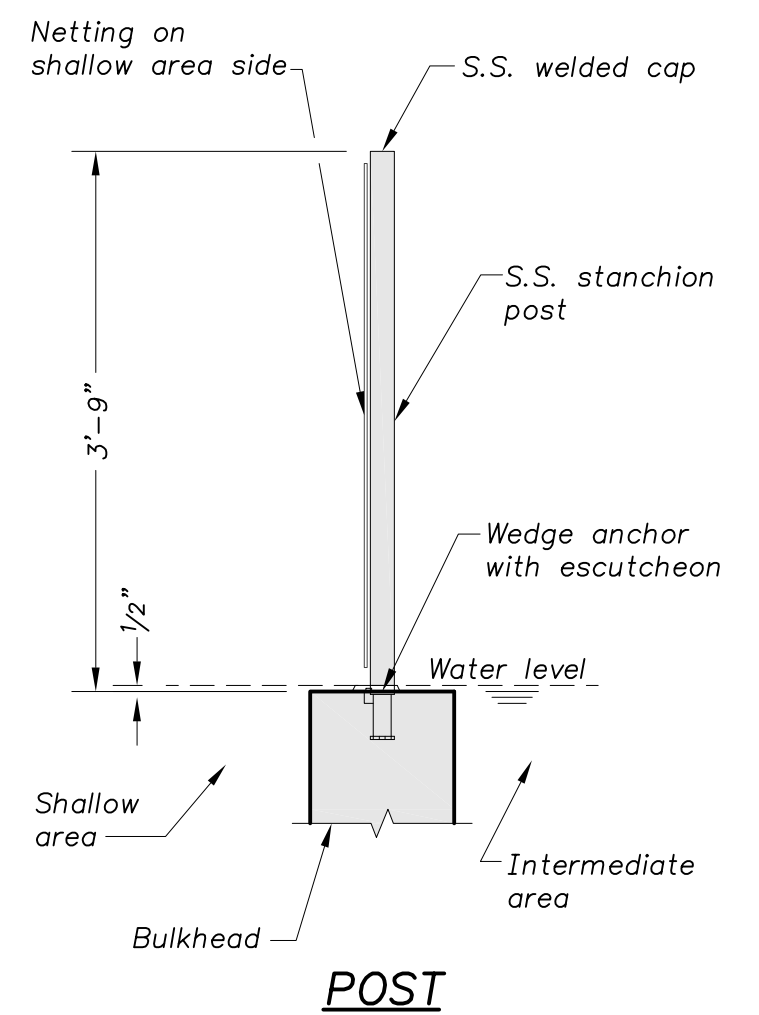
**REINFORCING AND BONDING NOTE.**  
Reinforcing that is cast-in-place or drilled & epoxied, or other metallic items, shall be electrically bonded per: National Electrical Code, 680-26



**M DECK SUNSHADE - FOOTING DETAIL**  
Scale: 1"=1'-0"

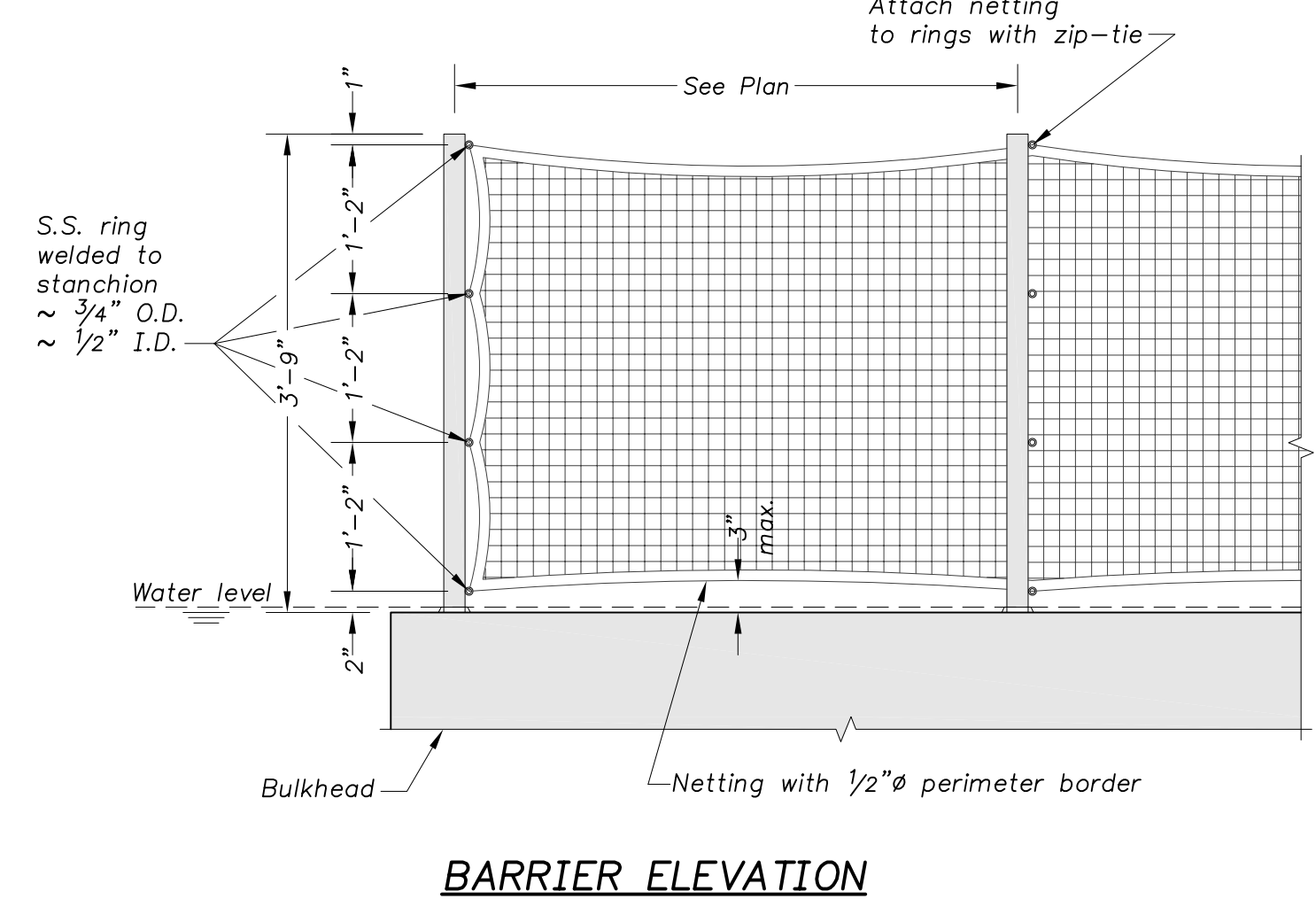


**N DECK ANCHOR DETAIL**  
Scale: 1"=1'-0"

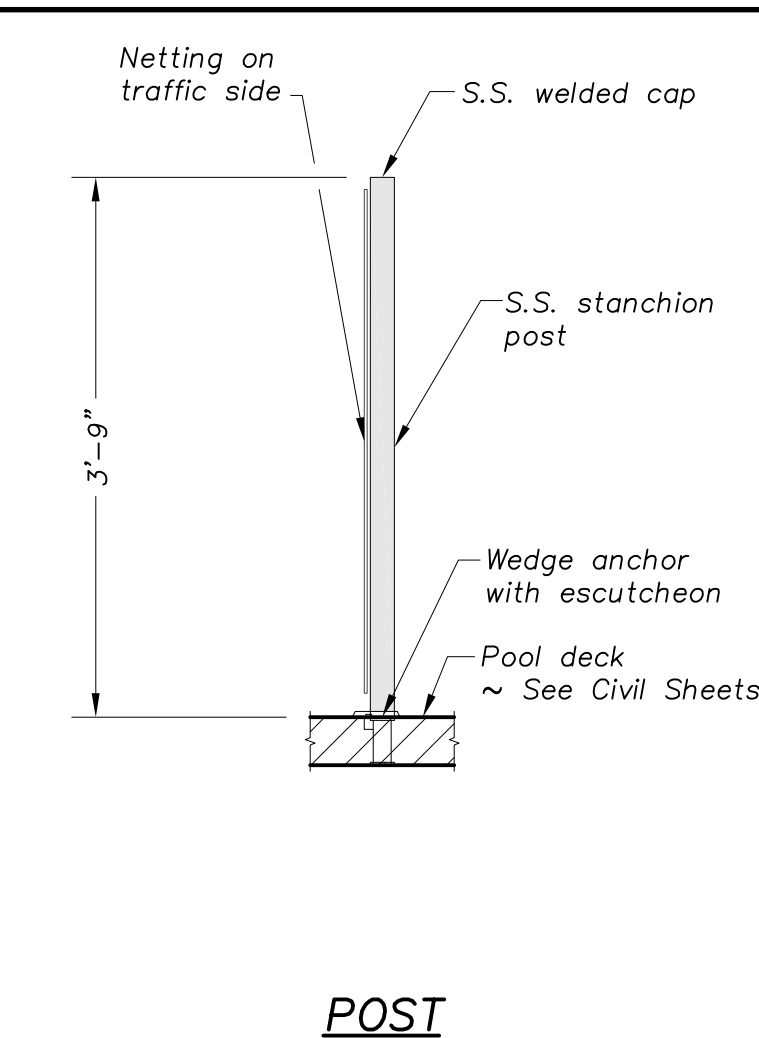


**POST**

**O BARRIER AT POOL BULKHEAD - POST WITH NETTING DETAIL**  
Scale: 3/4"=1'-0"

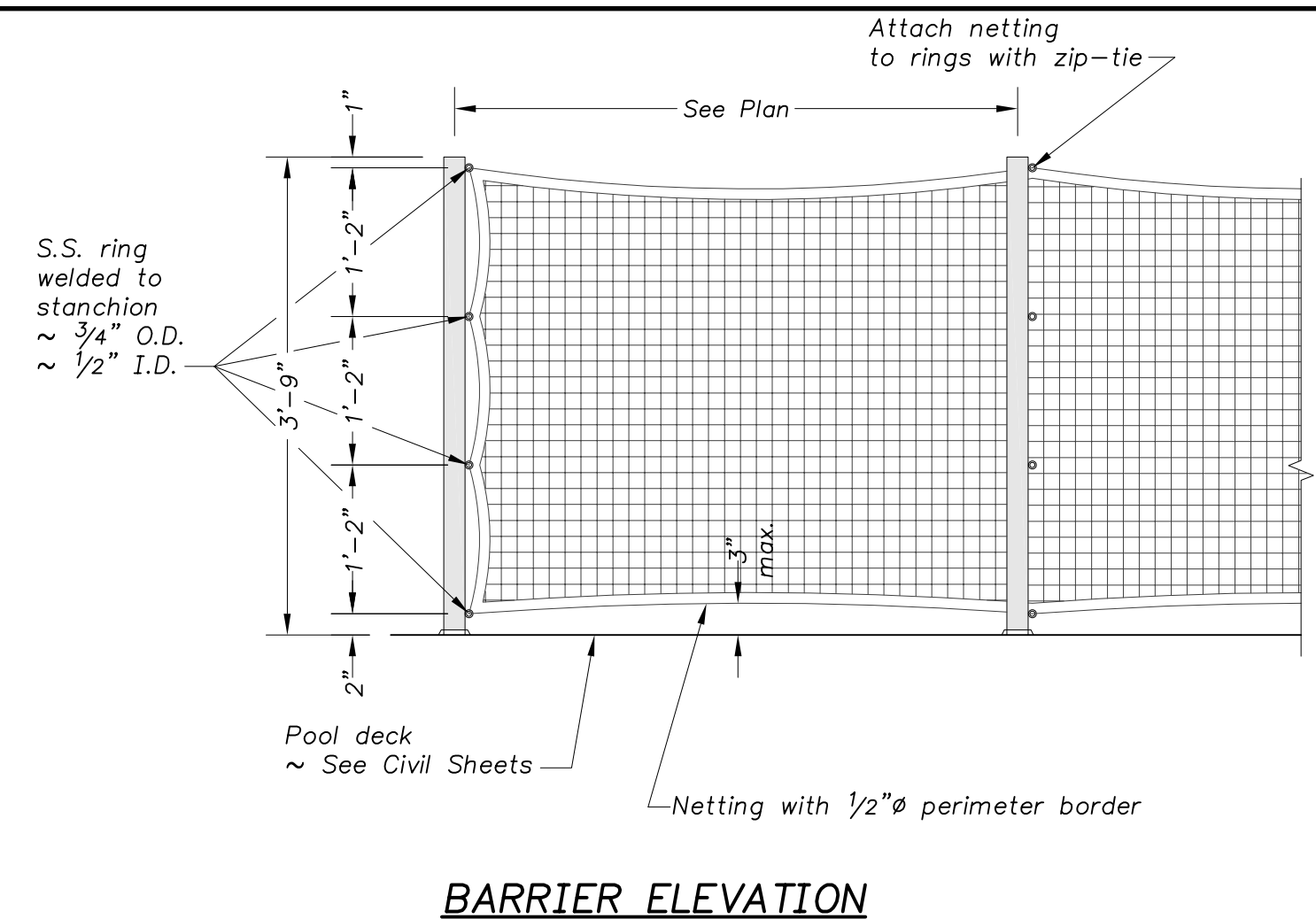


**BARRIER ELEVATION**



**POST**

**P DECK BARRIER - POST WITH NETTING DETAIL**  
Scale: 3/4"=1'-0"



**BARRIER ELEVATION**



**WICHITA, KANSAS**  
**Pool Improvements**  
**MINISA PARK**



Jeff Bartley - ENGINEER  
LICENSE #15116  
Date: 08-14-20 Job #: 18-512  
Drawn: SRS Checked: JAB  
Issue: CONSTRUCTION DOCUMENTS

**POOL AREA DETAILS**

**SP-PM5**