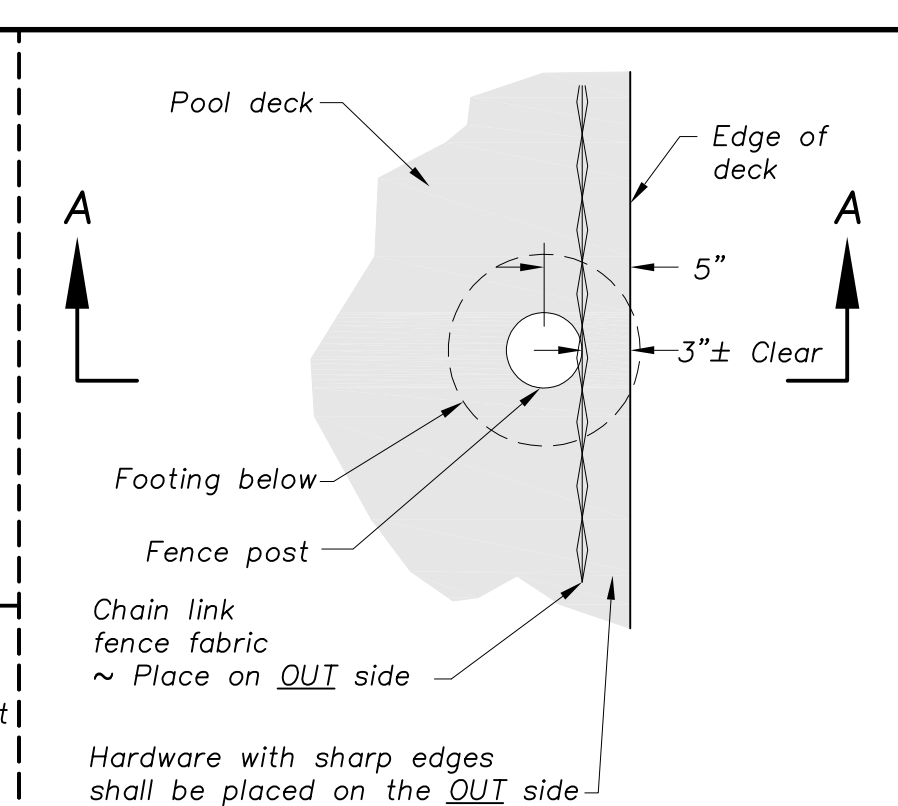
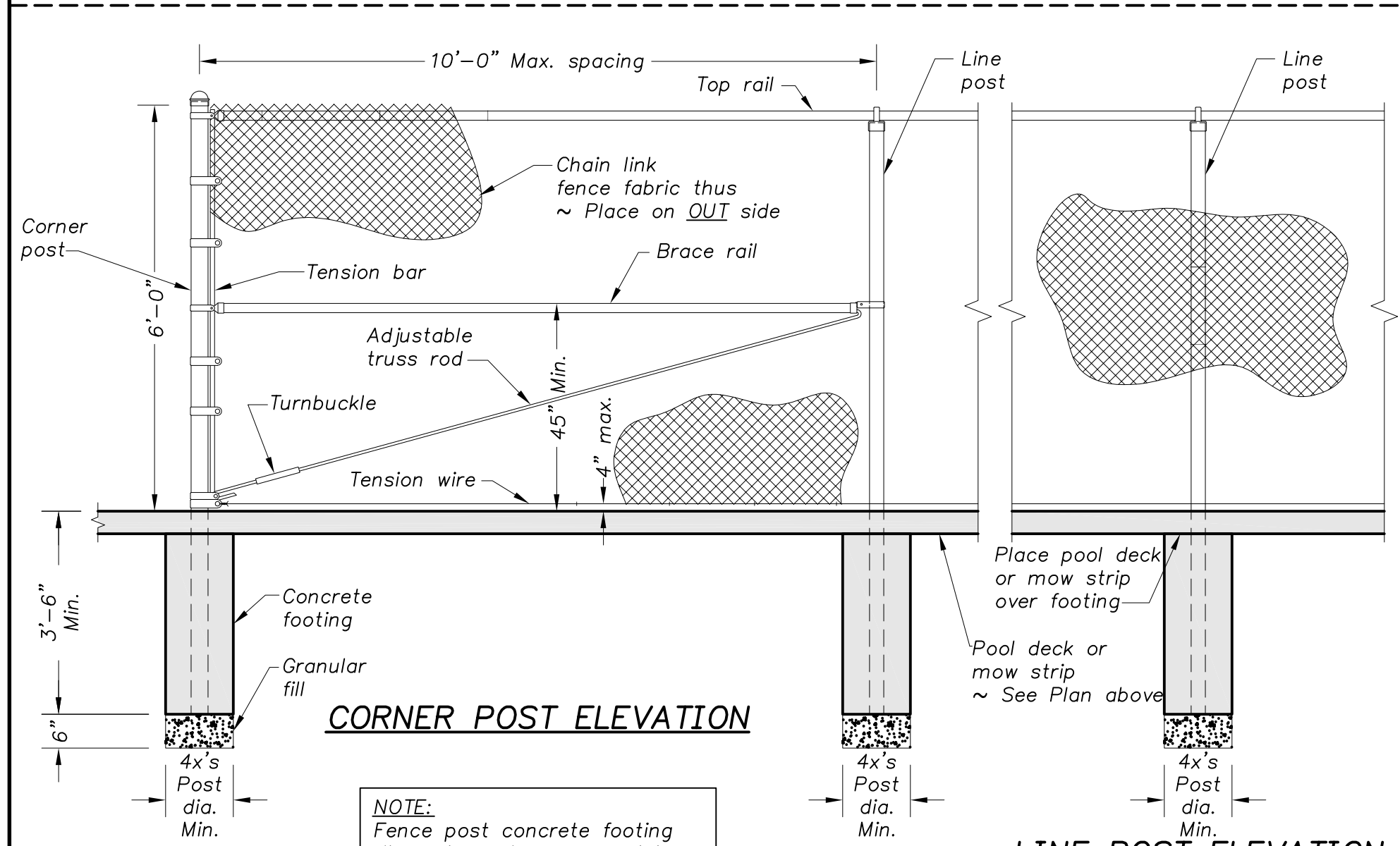


MOW STRIP PLAN

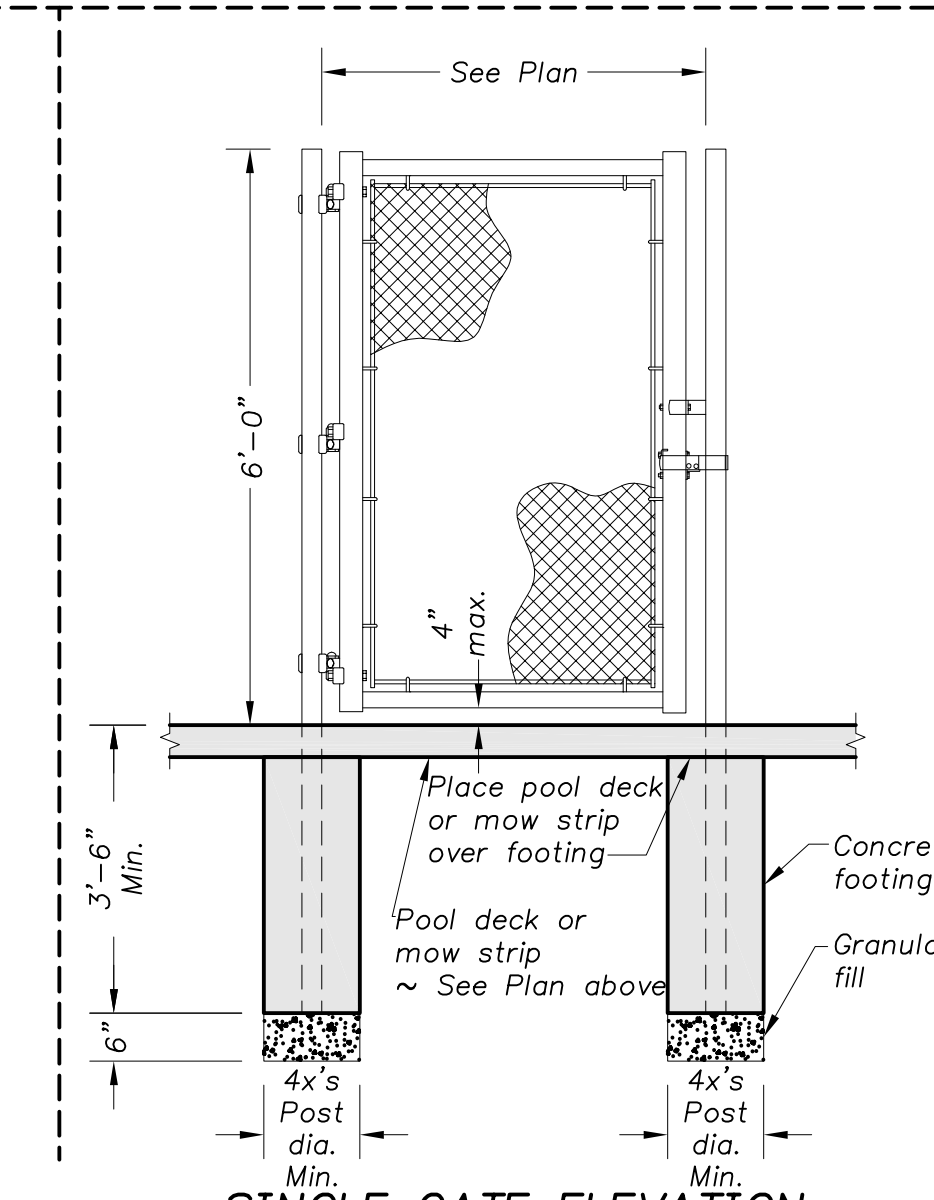


PLAN POST AT EDGE OF DECK

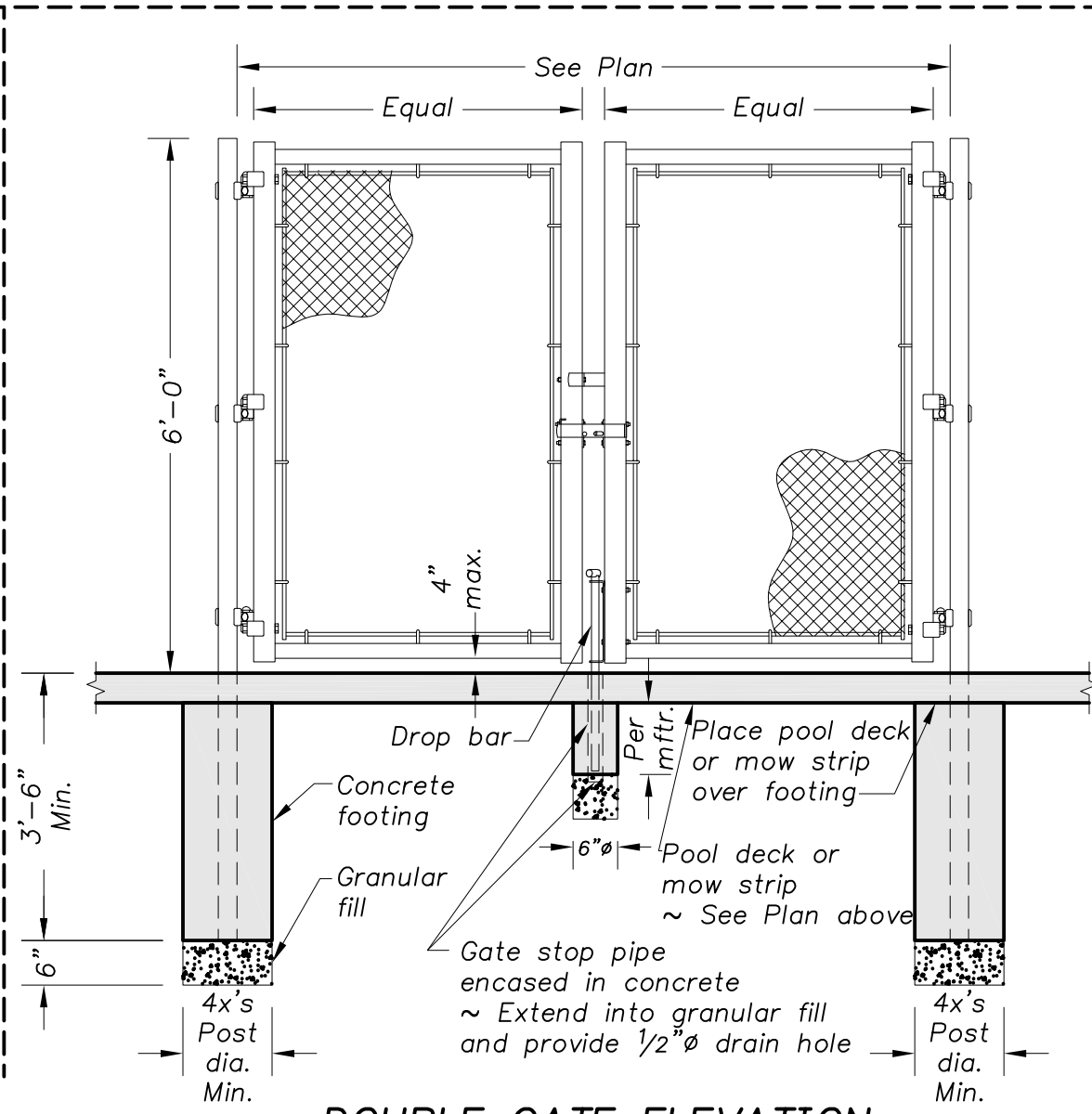


CORNER POST ELEVATION

NOTE:
Fence post concrete footing dimensions shown are minimum ~ Mfr. dimensions exceeding those minimum shall be req'd

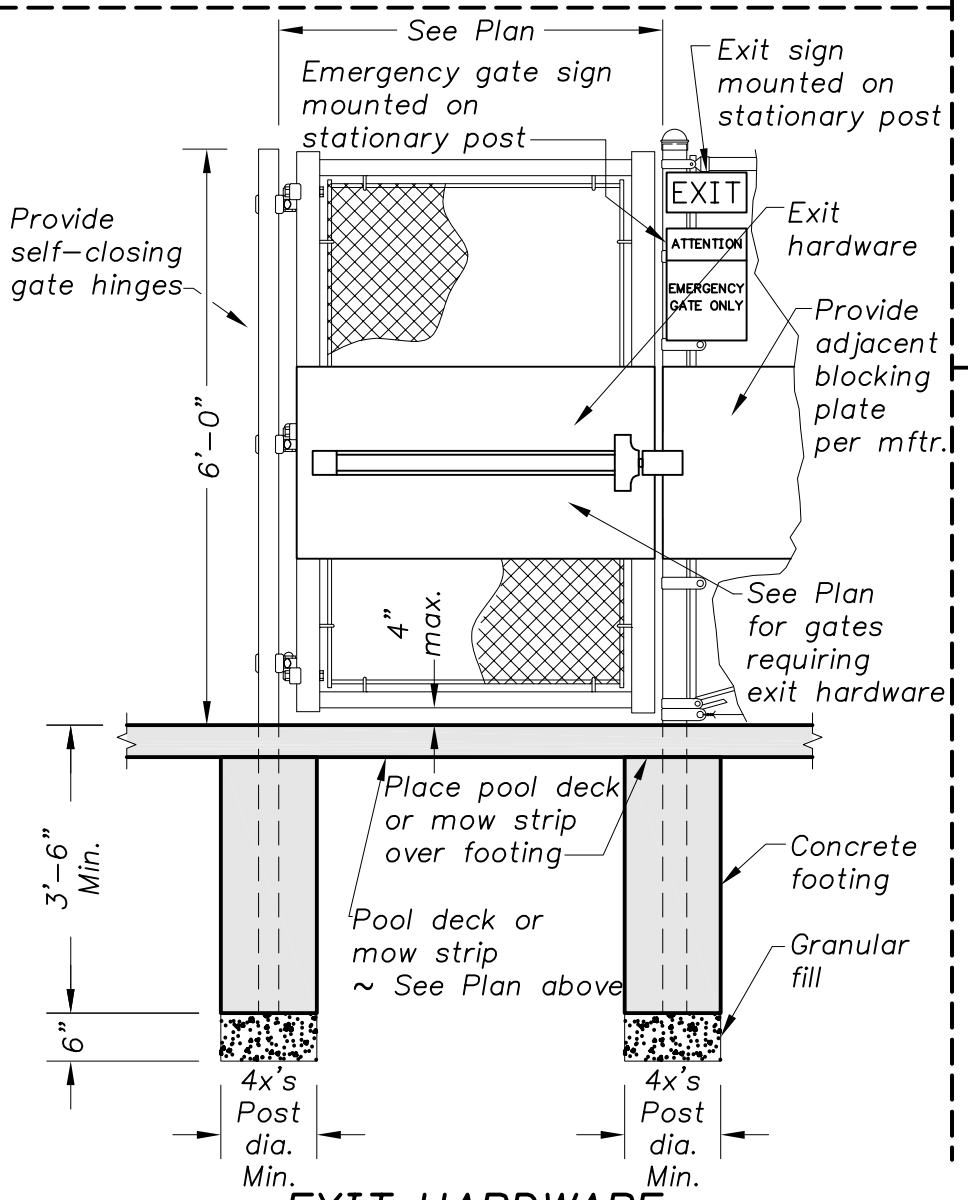


LINE POST ELEVATION

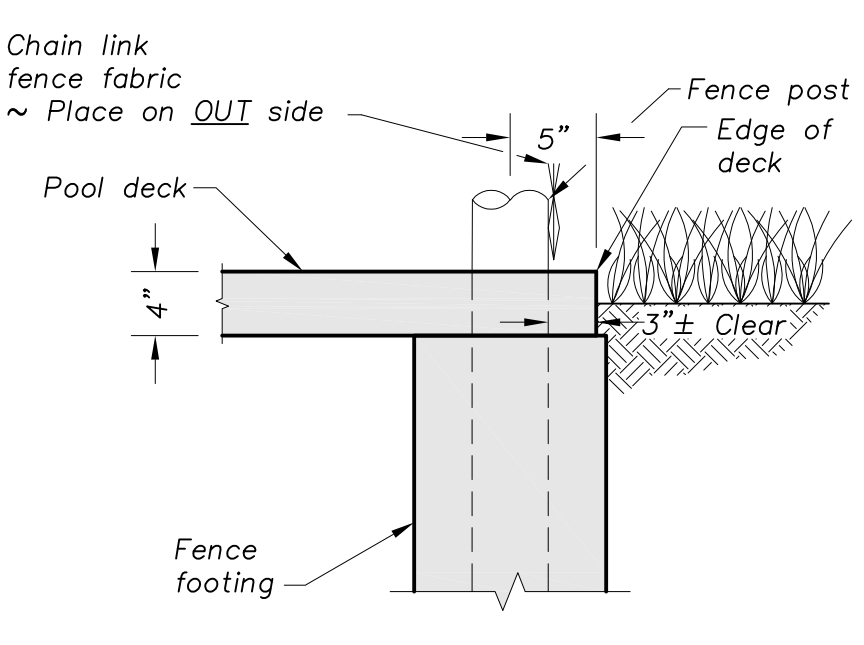


SINGLE GATE ELEVATION

DOUBLE GATE ELEVATION



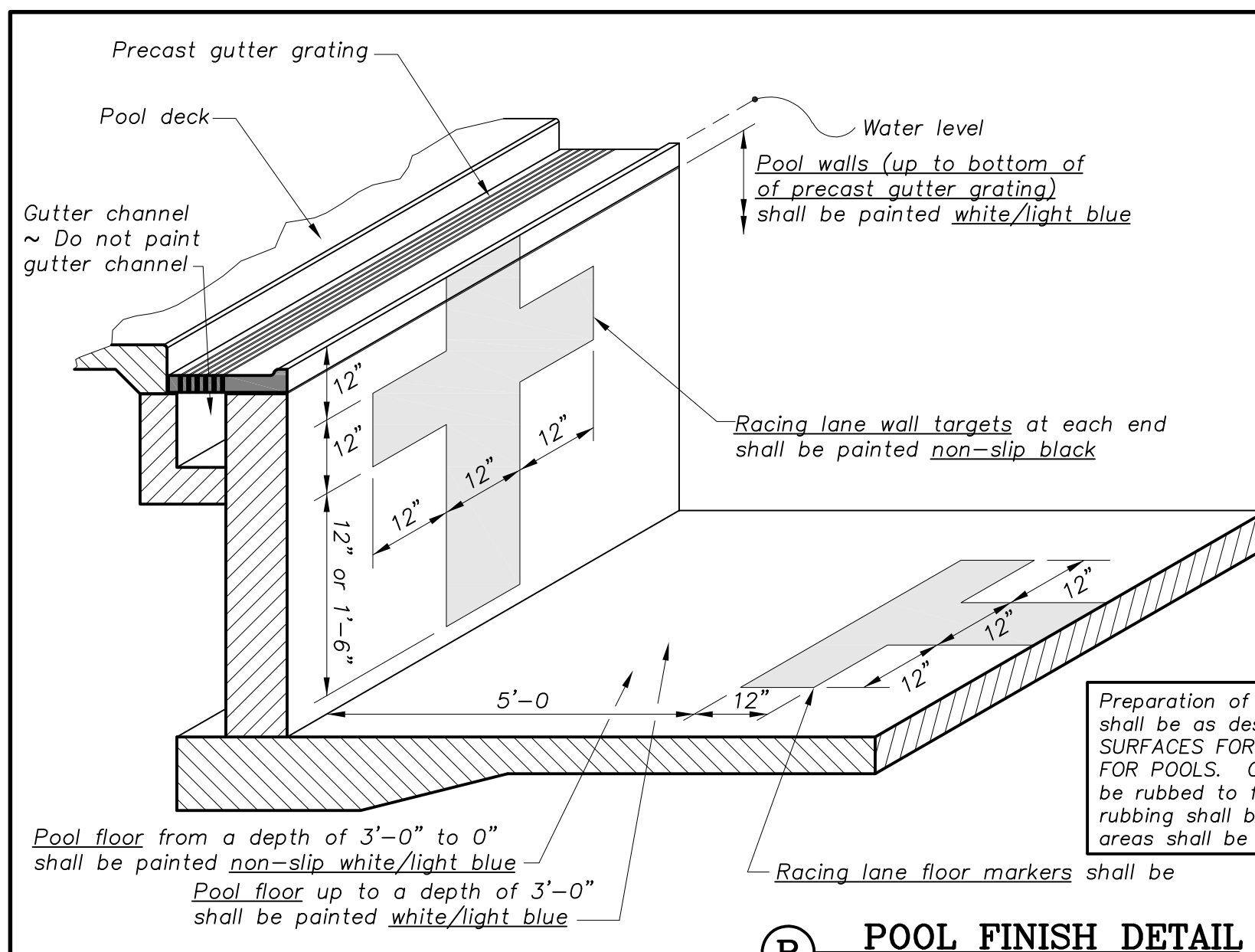
EXIT HARDWARE



SECTION A POST AT EDGE OF DECK

CHAIN LINK FENCE DETAIL
Scale: 1/2"=1'-0"

Gap between any post and adjacent structure shall not exceed 4"



POOL FINISH NOTES

1. Pool basin ~ See Detail at Left
2. Strips (4" wide) around main drain grate shall be painted black
3. Warning stripe (4" wide) at 5'-0" depth on pool floor and walls shall be painted black ~ Non-slip black on floor
4. Water seat ~ See Detail E-SP-PM2 for finish
5. Bulkhead ~ See Detail F-SP-PM3 for finish
6. Water bench ~ See Detail L-SP-PM5 for finish

Preparation of Sandblasted Pool Walls: For each pool, sandblast preparation shall be as described in Article 3.04 PREPARATION OF EXISTING CONCRETE SURFACES FOR RE-COATING, within Specification Section 09 96 10 - COATINGS FOR POOLS. Contractor shall assume that the swimming pool walls will need to be rubbed to fill holes and imperfections left by sandblasting process. However, rubbing shall be thinly applied and not "caked" on. Patched or deeper areas shall be repaired as described in Specification.

POOL FINISH DETAIL
N.T.S.

All colors indicated are approximate and will be selected by Owner and included in project color schedule

Contractor shall provide (3) coats of each color



WICHITA, KANSAS
Pool Improvements
MINISA PARK



Jeff Bartley - ENGINEER
LICENSE #15116
Date: 08-14-20 Job #: 18-512
Drawn: SRS Checked: JAB
Issue: CONSTRUCTION DOCUMENTS

POOL AREA DETAILS

SP-PM6