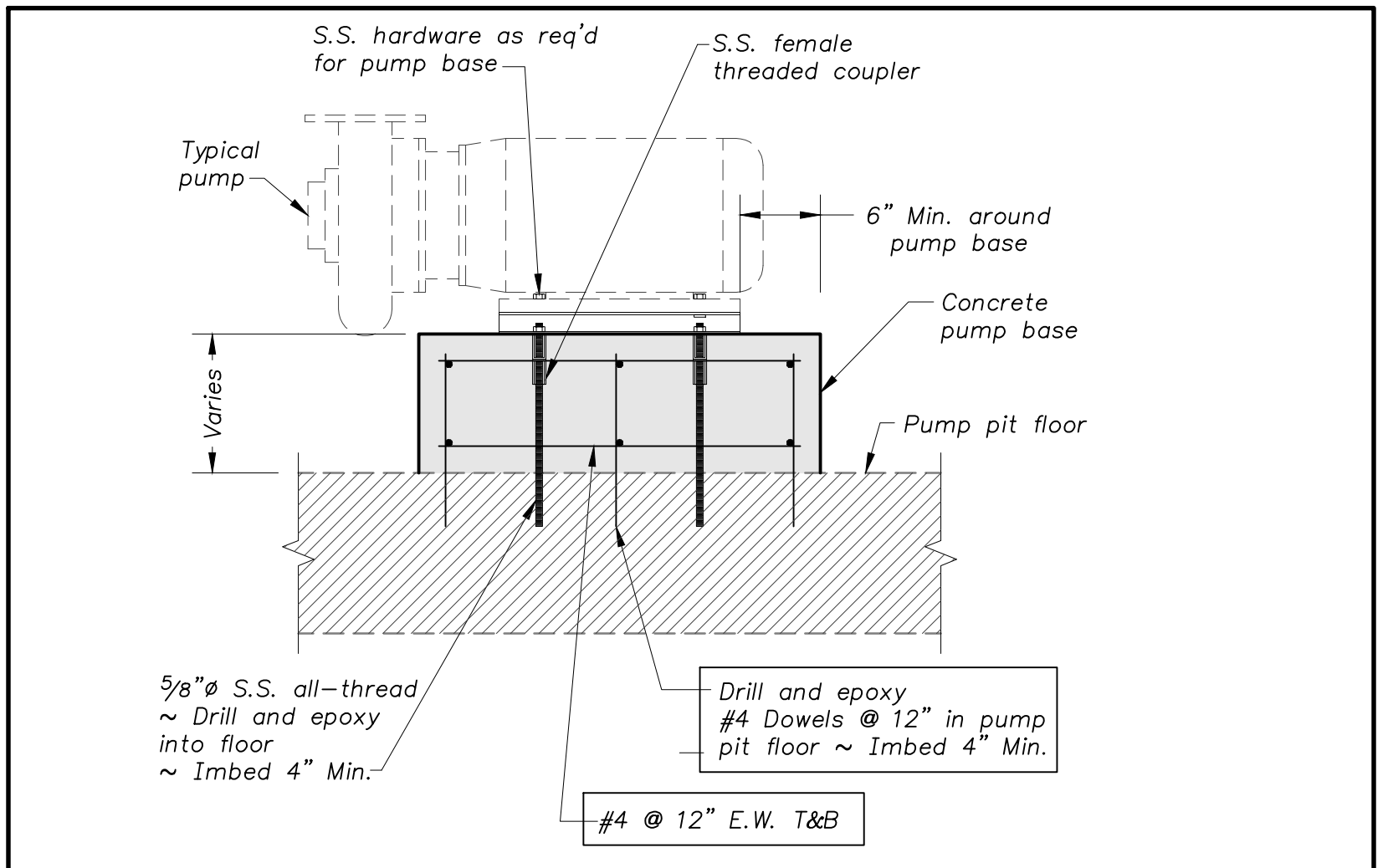
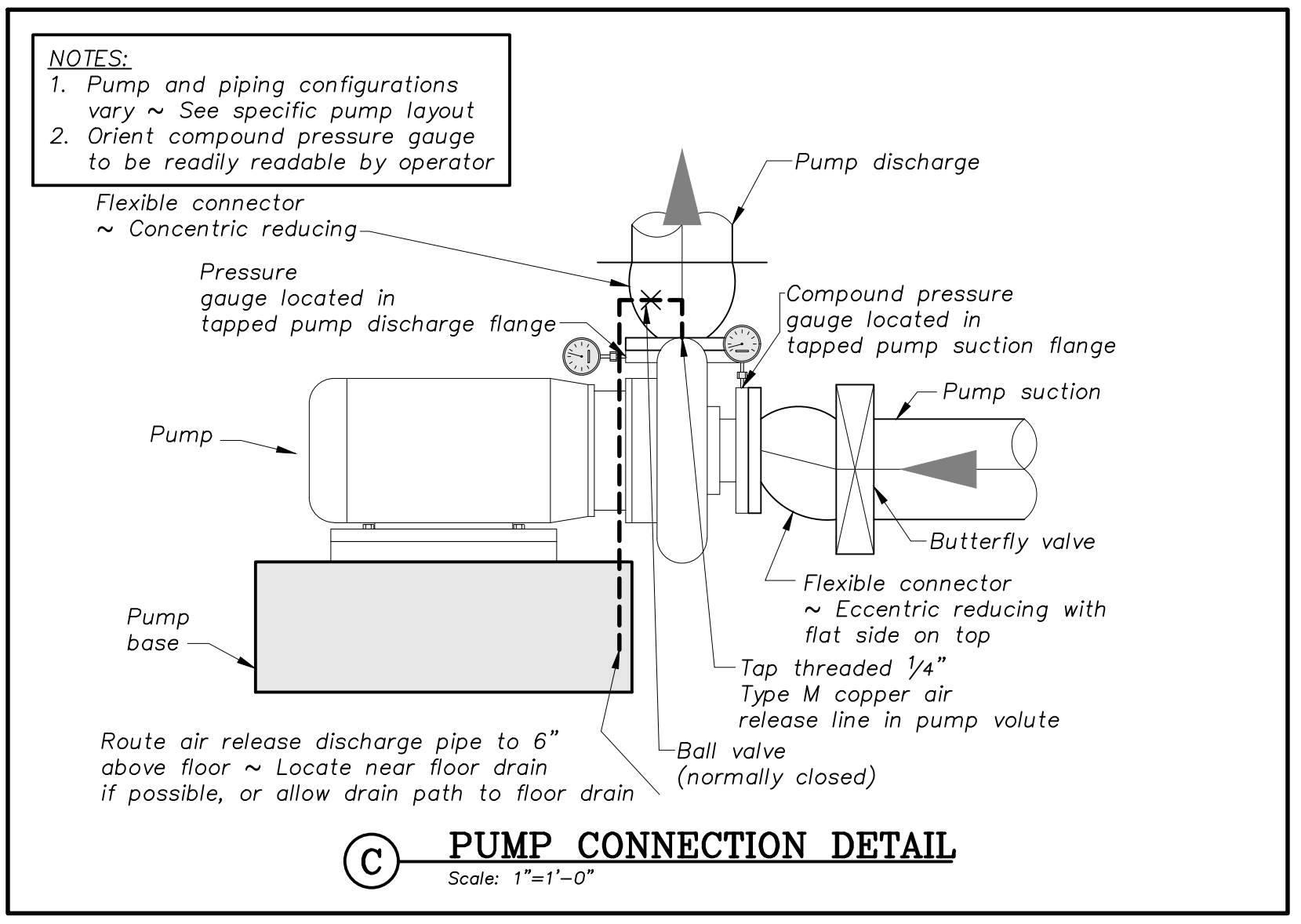


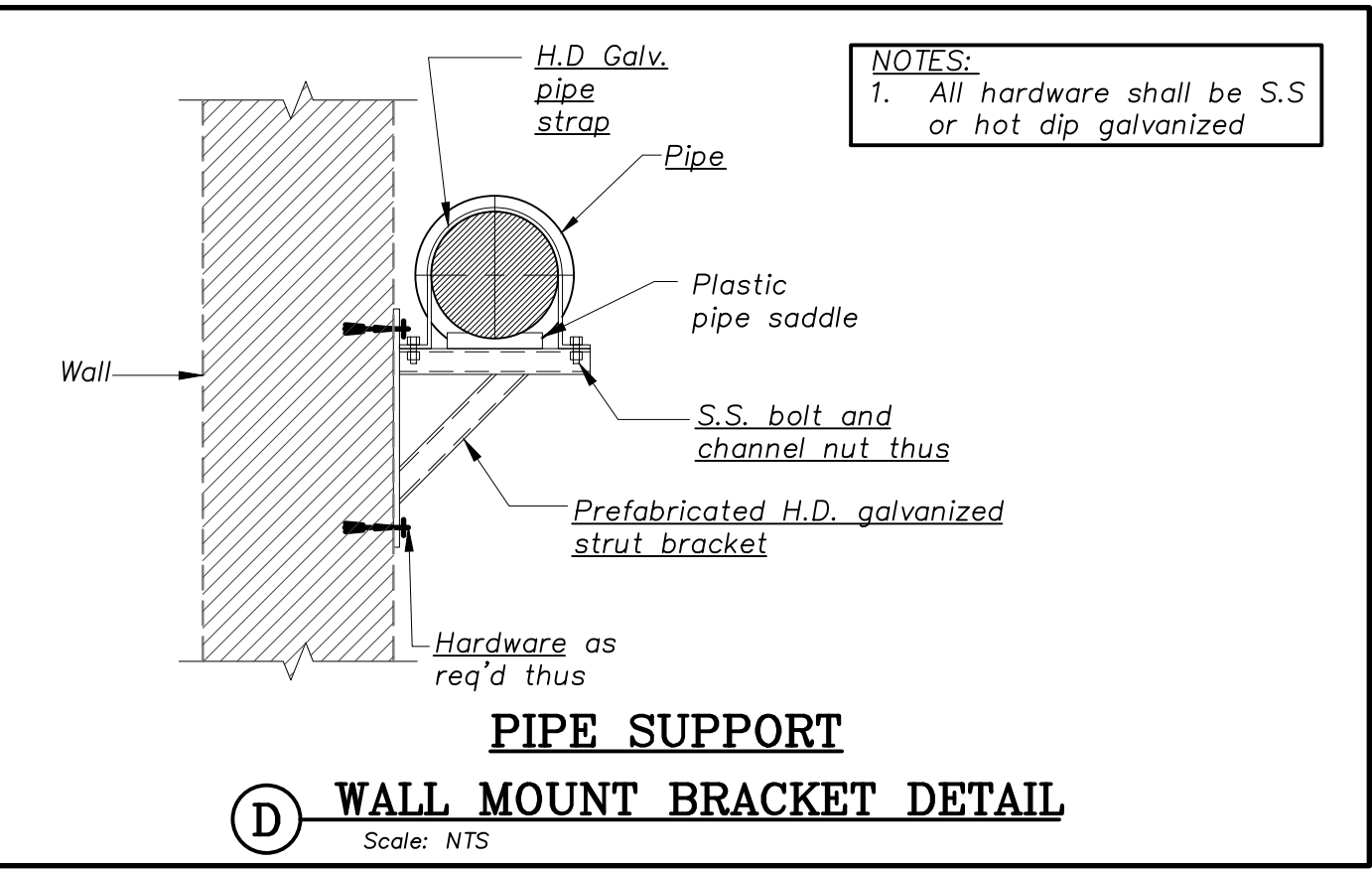
A PIPE SUPPORT - CONCRETE DETAIL
Scale: 1"=1'-0"



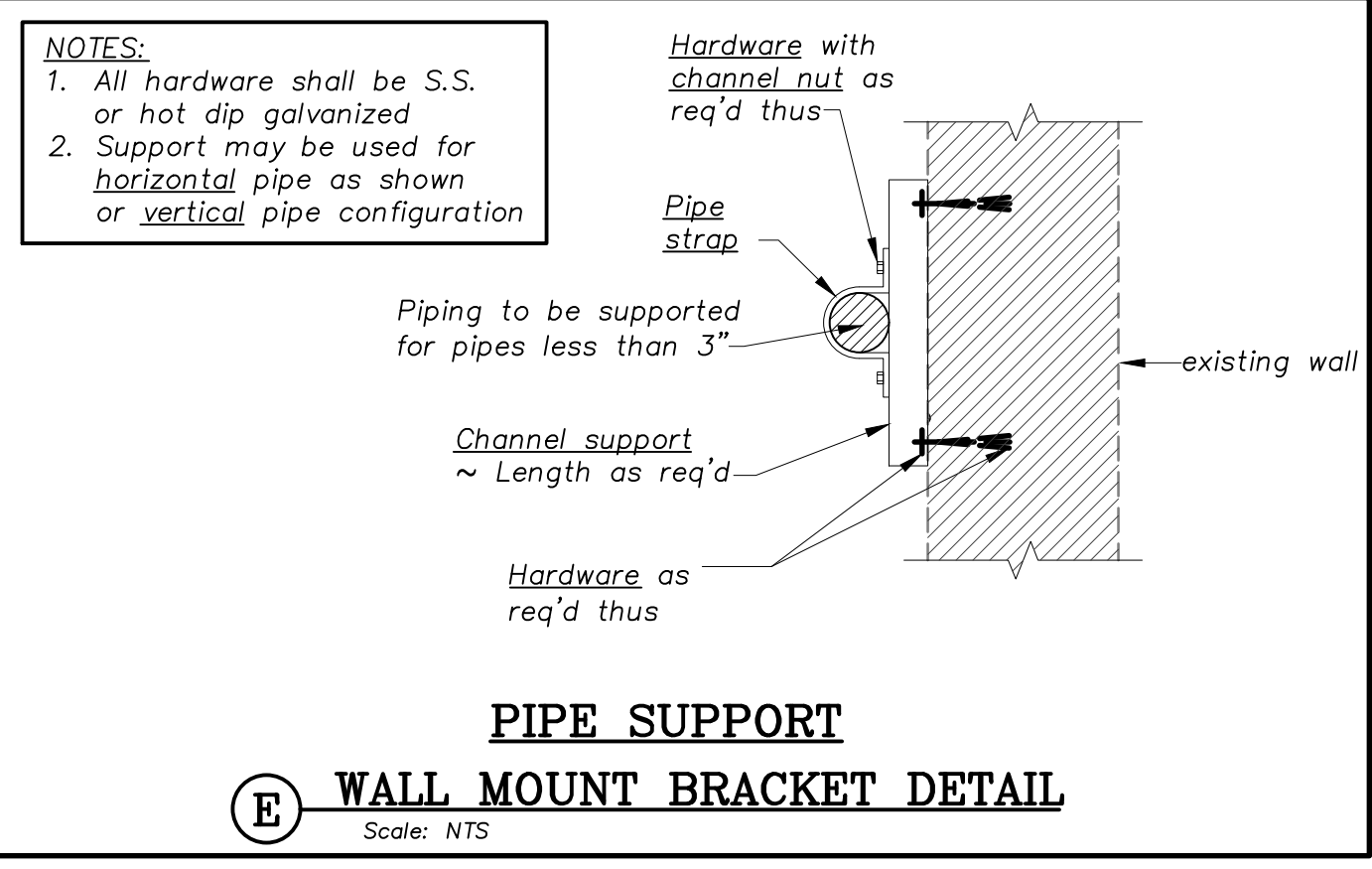
B PUMP BASE DETAIL
Scale: 1"=1'-0"



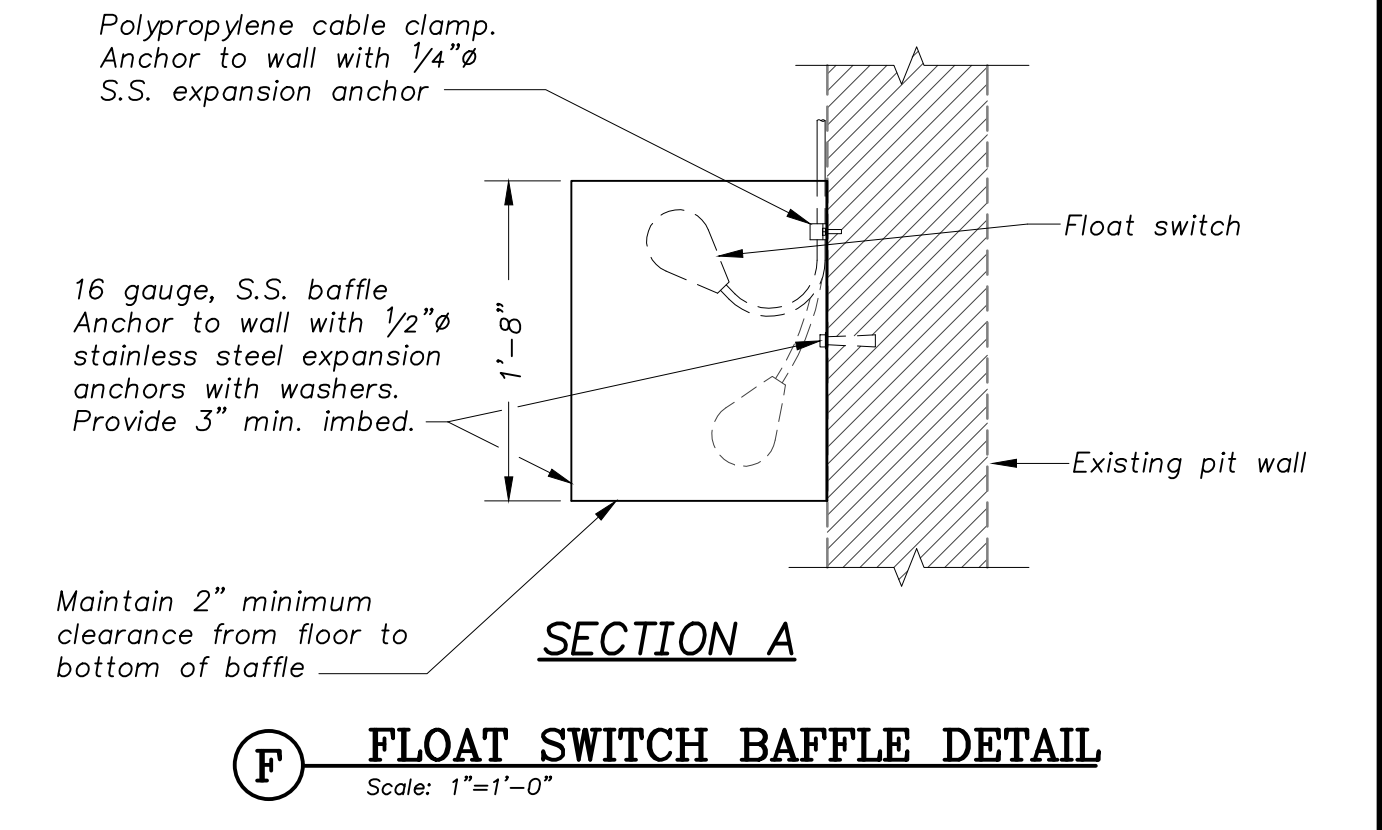
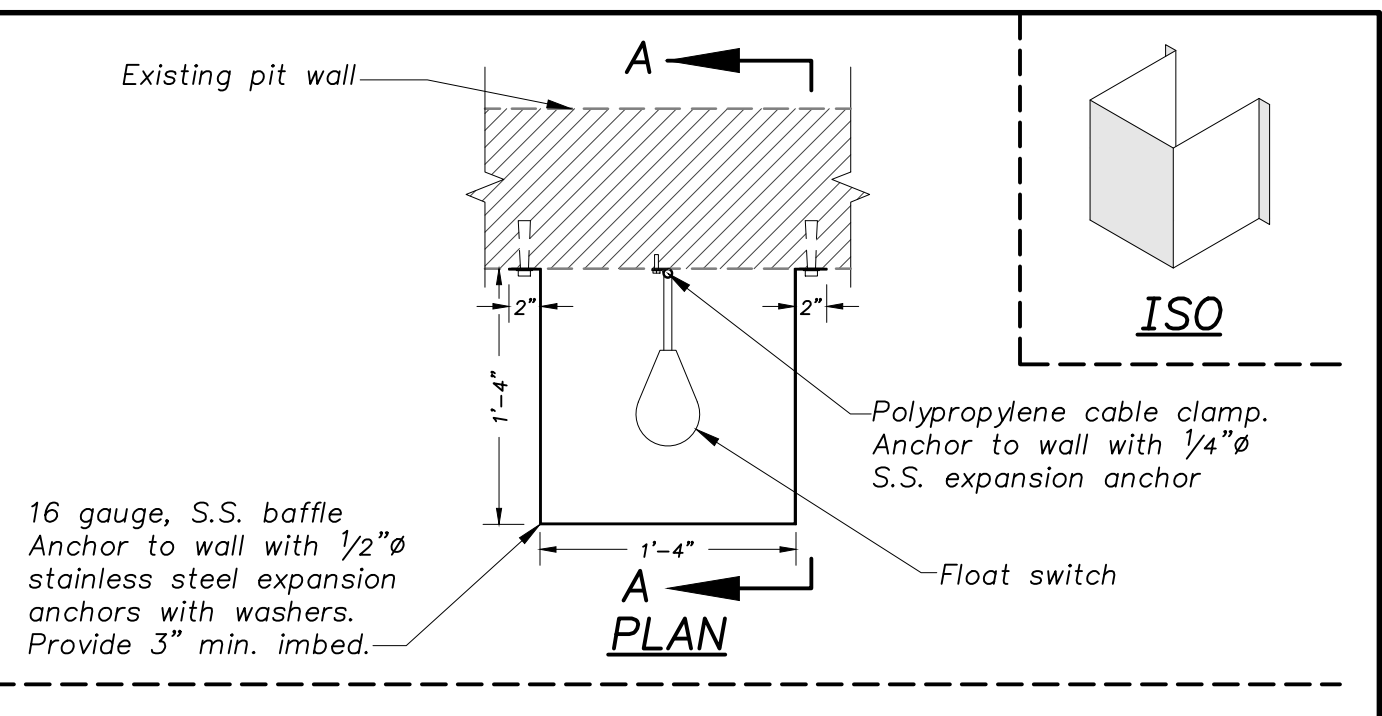
C PUMP CONNECTION DETAIL
Scale: 1"=1'-0"



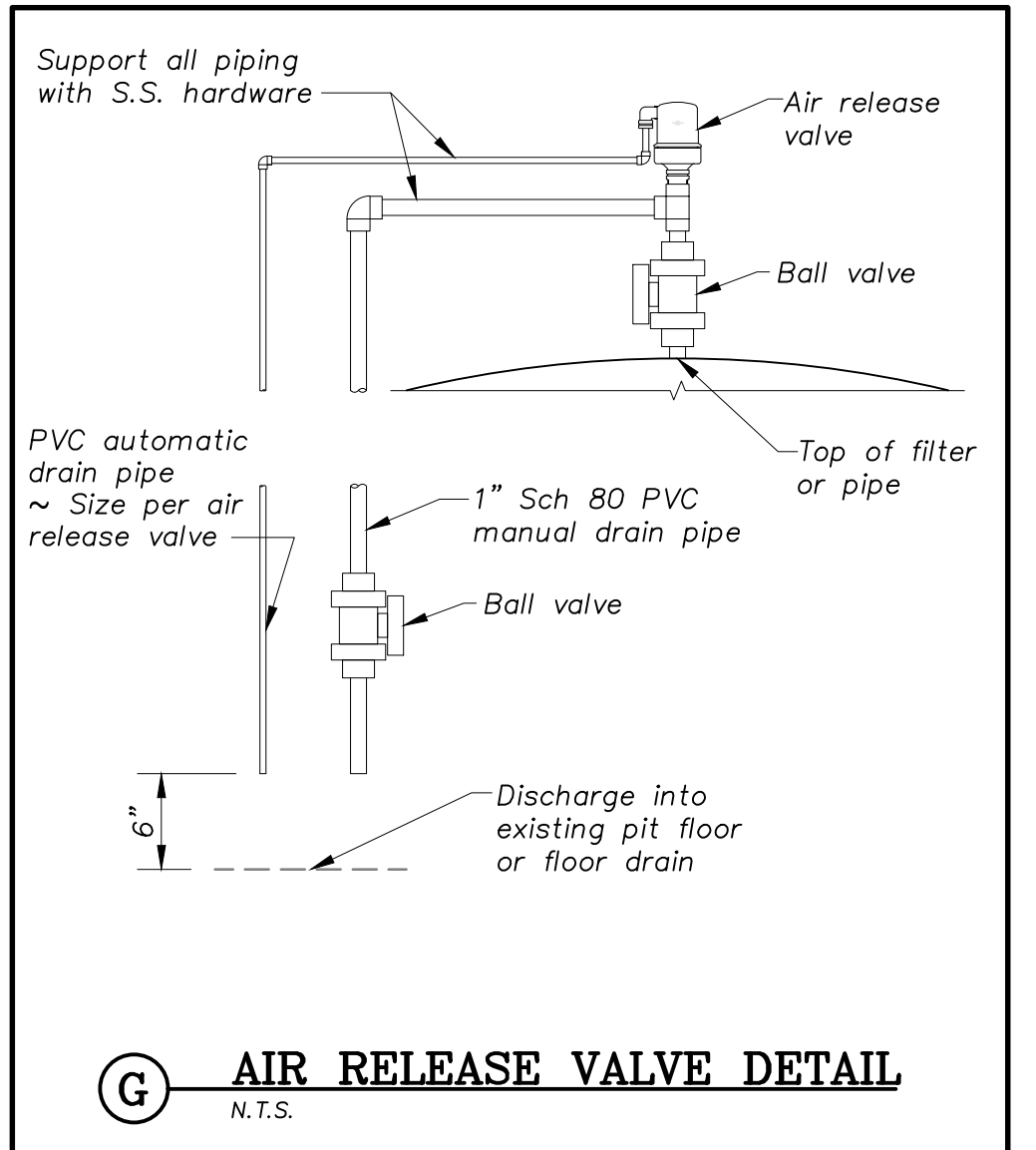
D WALL MOUNT BRACKET DETAIL
Scale: N.T.S.



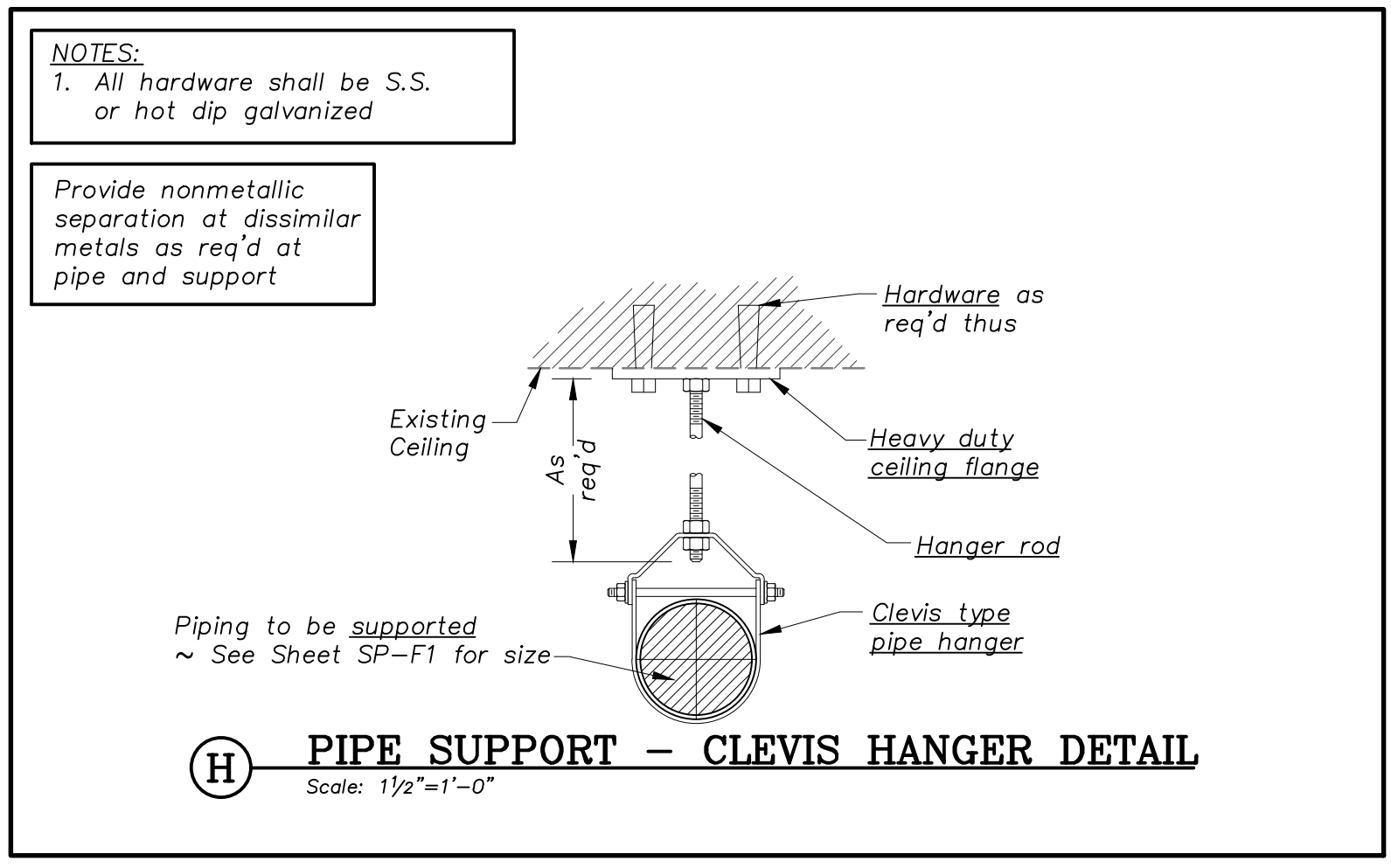
E WALL MOUNT BRACKET DETAIL
Scale: N.T.S.



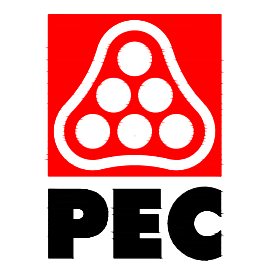
F FLOAT SWITCH BAFFLE DETAIL
Scale: 1"=1'-0"



G AIR RELEASE VALVE DETAIL
N.T.S.



H PIPE SUPPORT - CLEVIS HANGER DETAIL
Scale: 1/2"=1'-0"



WICHITA, KANSAS
Pool Improvements
MINISA PARK



Seal: **JEFF A. BARTLEY**
LICENSED PROFESSIONAL ENGINEER
1541B
KANSAS
PROFESSIONAL ENGINEER
Jeff Bartley-ENGINEER
LICENSE #15116

Date: 08-14-20 Job #: 18-512
Drawn: CJB Checked: JAB

ISSUE: CONSTRUCTION DOCUMENTS
FILTER AREA IMPROVEMENT DETAILS

SP-F4