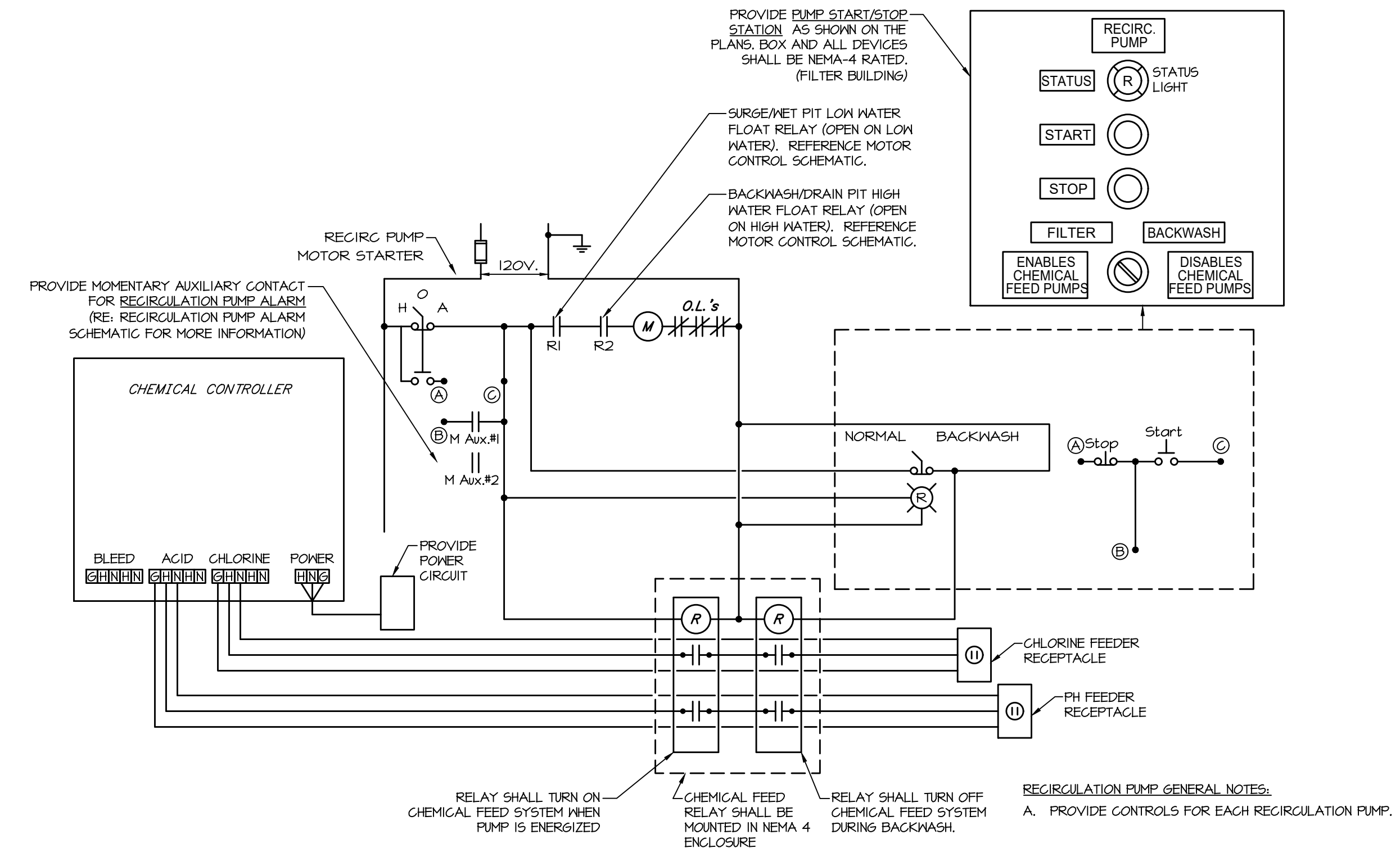
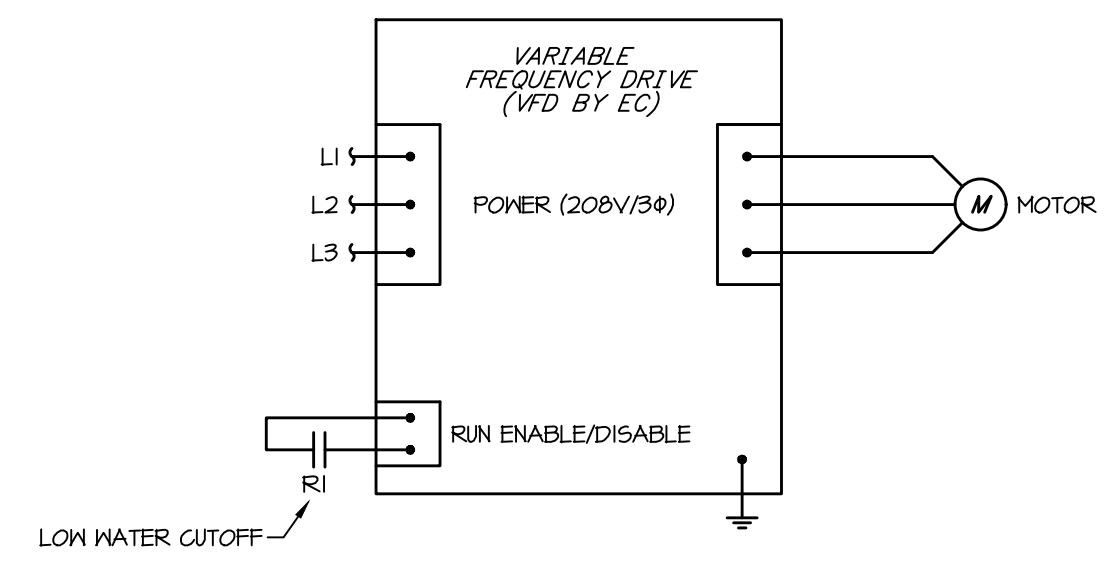


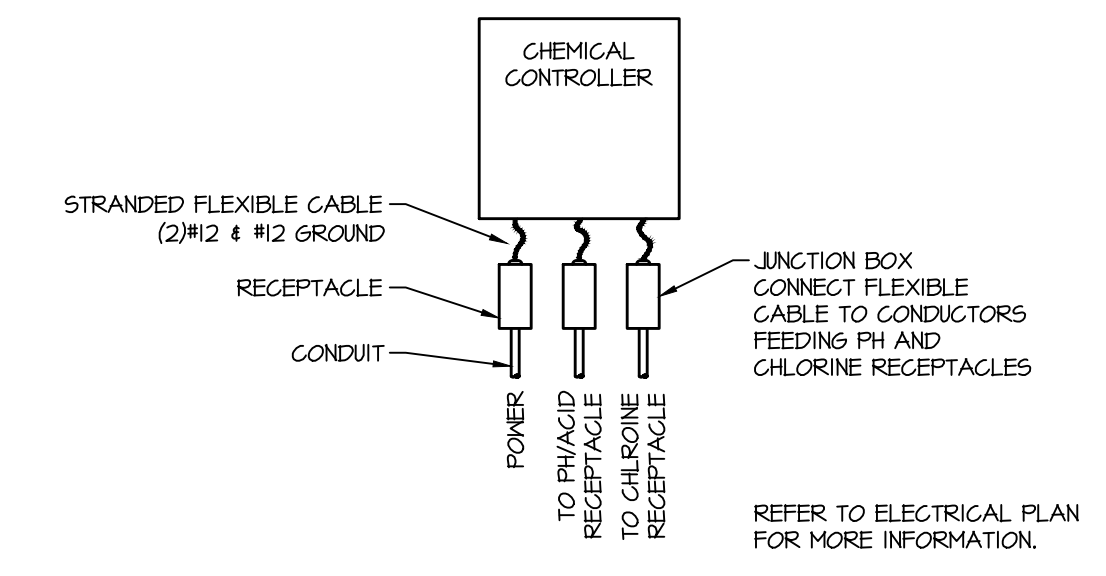
2 Motor Control Schematic
Scale: None



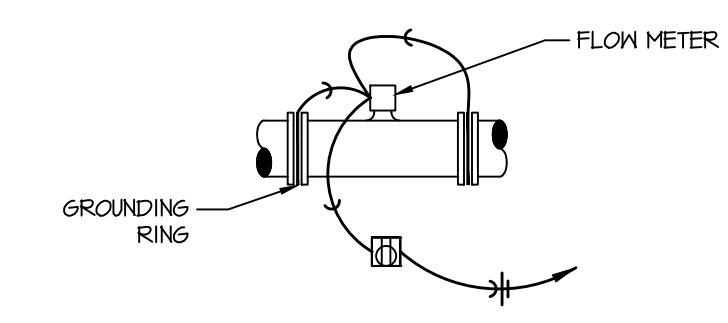
1 Recirculation Pump Control Schematic (CMS-RP)
Scale: None



4 VFD Control Schematic (VFD-WFP)
Scale: None



3 Chemical Controller Schematic
Scale: None



5 Flow Meter Grounding Detail
Scale: None

ELECTRICAL CONTRACTOR IS TO PROVIDE POOL PUMP CONTROLS, POOL PUMP CONTROLS, FLOAT SWITCHES, STARTERS, VFDs AND SWITCHES ARE NOT PROVIDED BY THE POOL CONTRACTOR.



WICHITA, KANSAS Pool Improvements MINISA PARK



CASEY JOHN STEINER LICENSE #19423
Date: 8-14-20 Job #: 1820529
Drawn: CDW Checked: MST
Issue: CONSTRUCTION DOCUMENTS

ELECTRICAL DETAILS

SP-E2
Water's Edge Aquatic Design © 2020