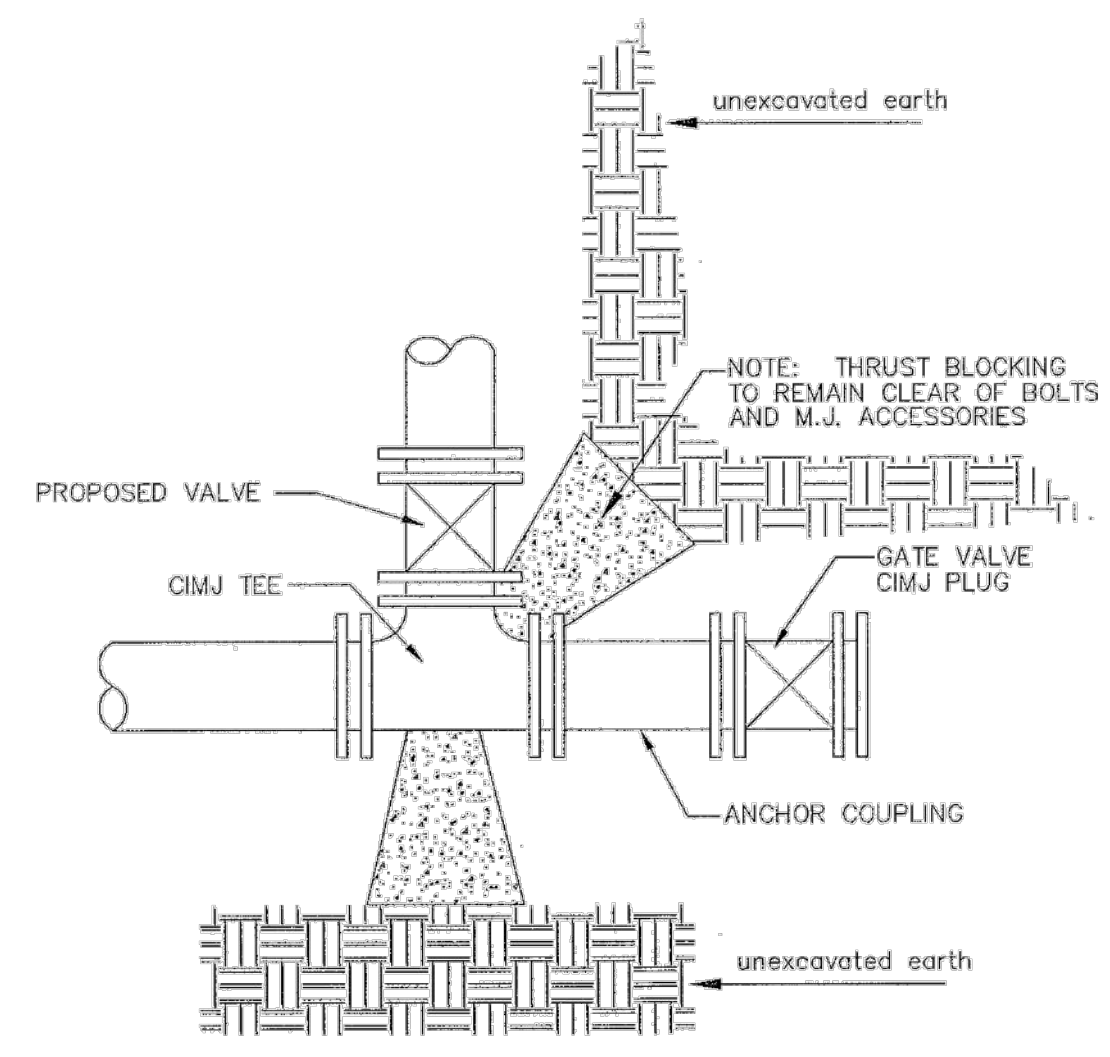


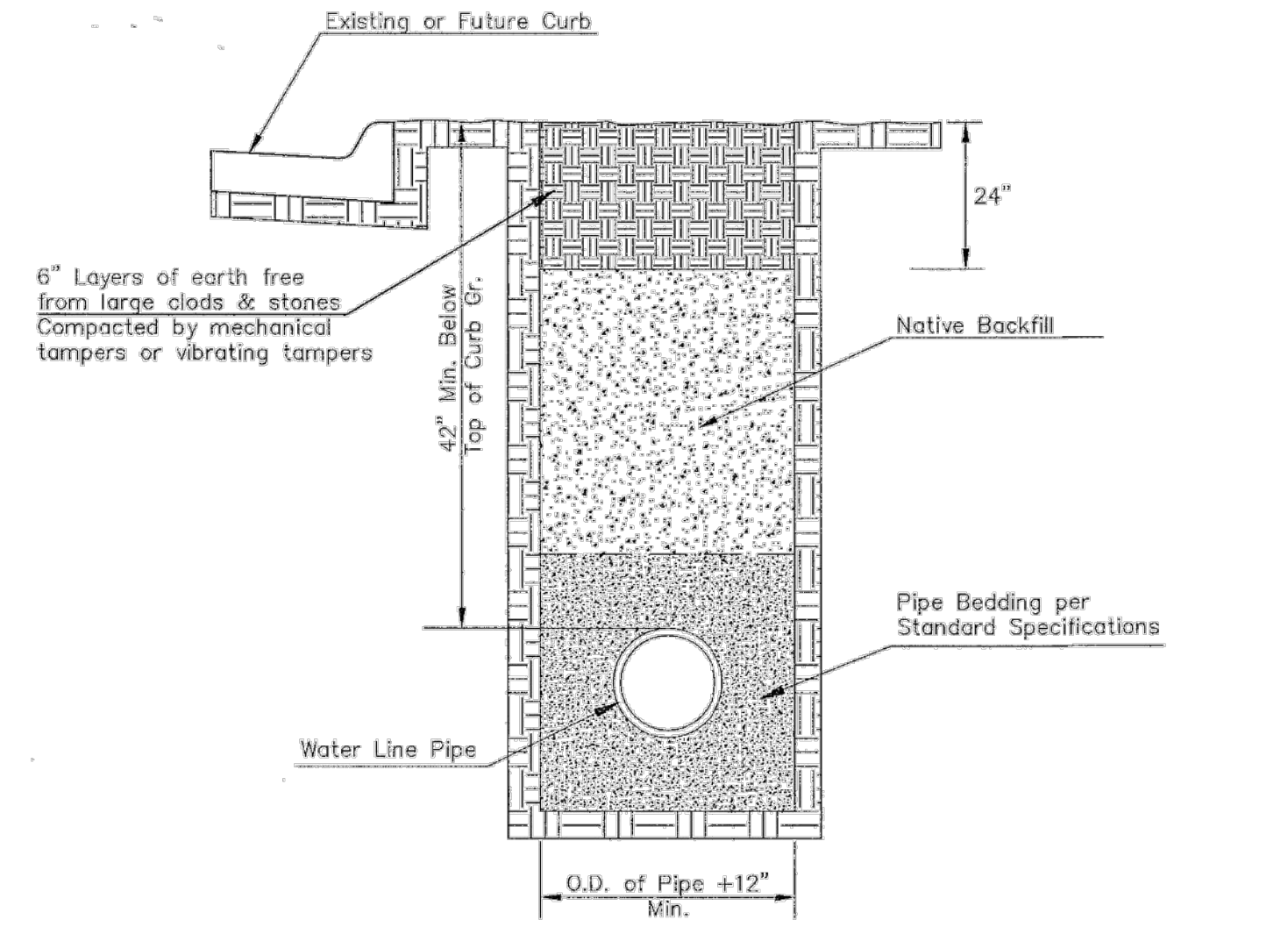
PIPE SIZE	THRUST AT FITTINGS IN TONS-AT 150#/IN ² P					
	PLUG	90°	45°	22 1/2°	11 1/4°	TEE
6"	2.8	3.95	2.15	1.09	.55	2.8
8"	4.9	6.95	3.75	1.90	.96	4.9
12"	11.4	16.1	8.75	4.45	2.25	11.4
16"	20.15	28.5	15.4	7.85	3.95	20.15
20"	31.15	44.0	23.85	12.15	6.10	31.15
24"	44.55	63.0	34.1	17.4	8.75	44.55

TYPICAL THRUST BLOCKS

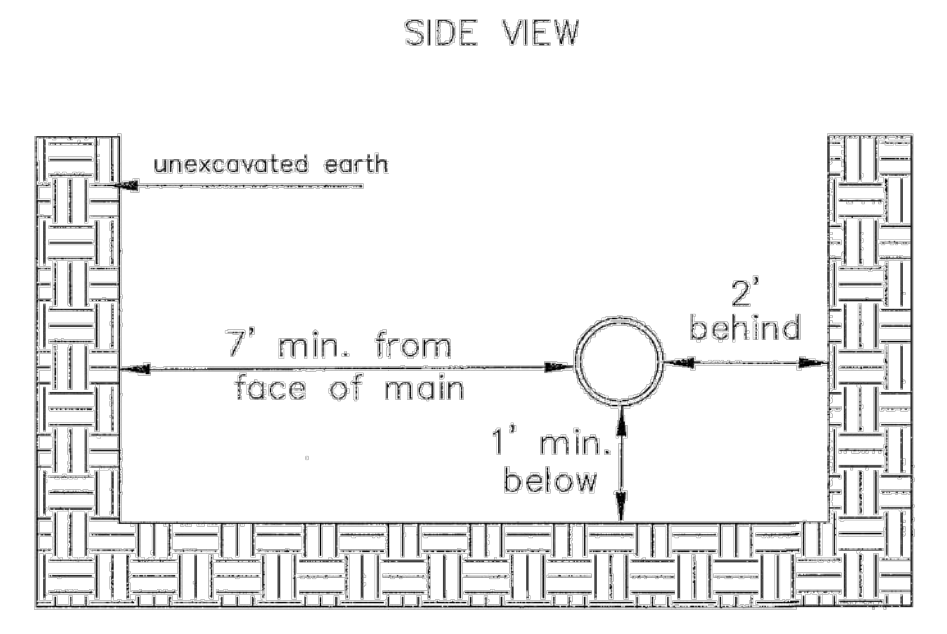


KEY BLOCK DETAIL

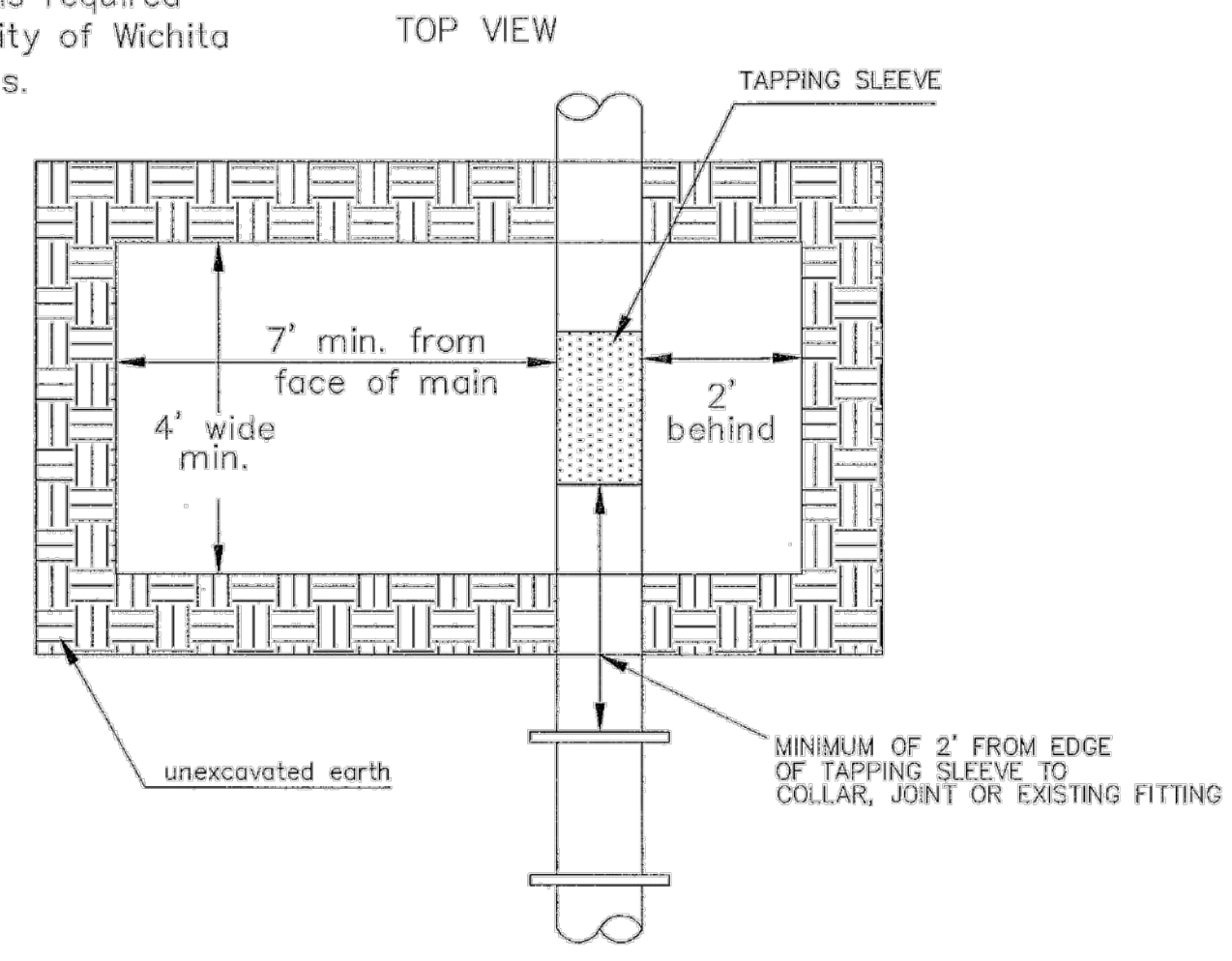
* PLANS GOVERN
UNLESS OTHERWISE NOTED ON PLANS



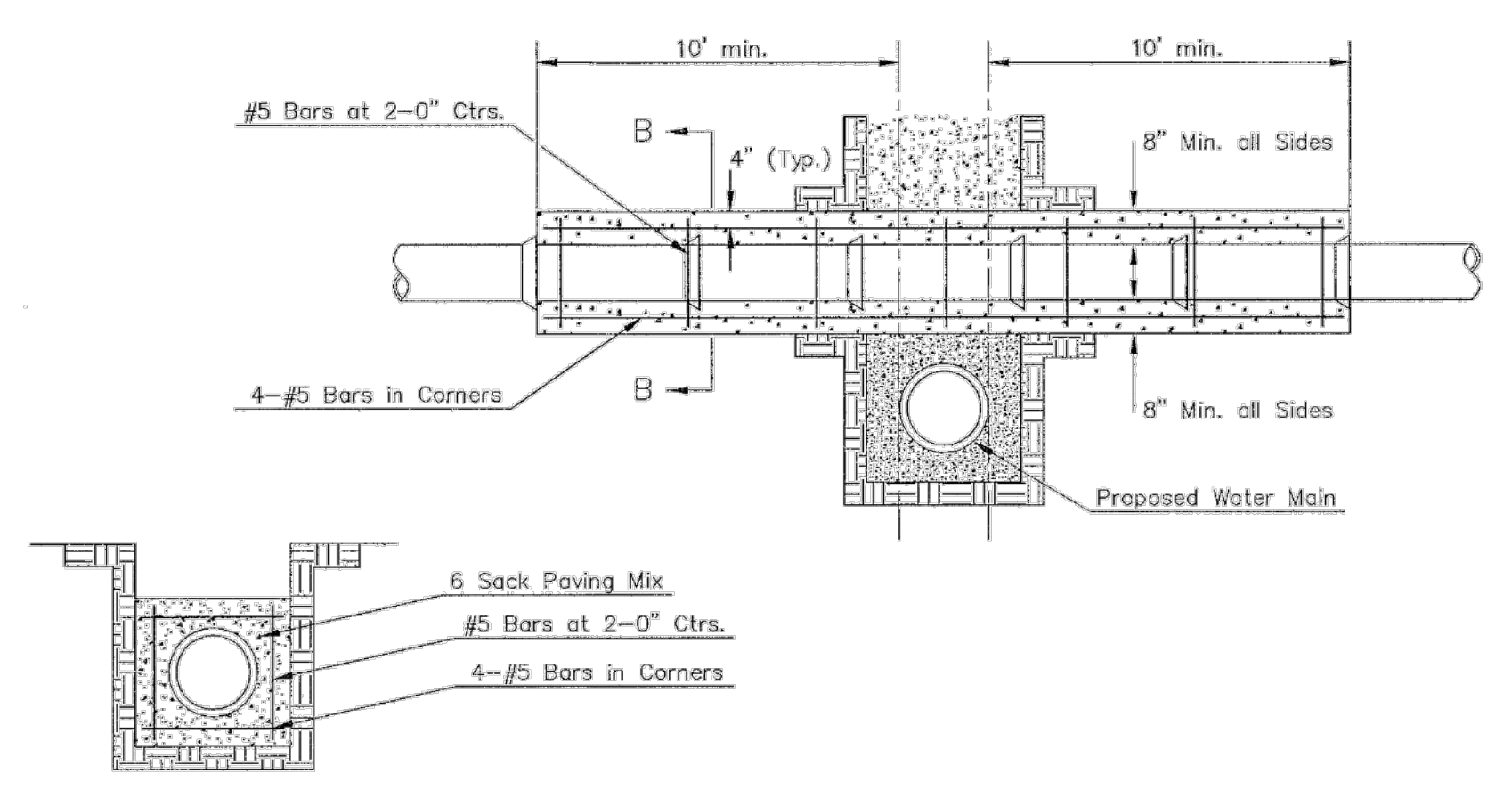
TRENCH COMPACTION IN ROAD RIGHT-OF-WAY



Note: When shoring is required it is to be per The City of Wichita Standard Specifications.



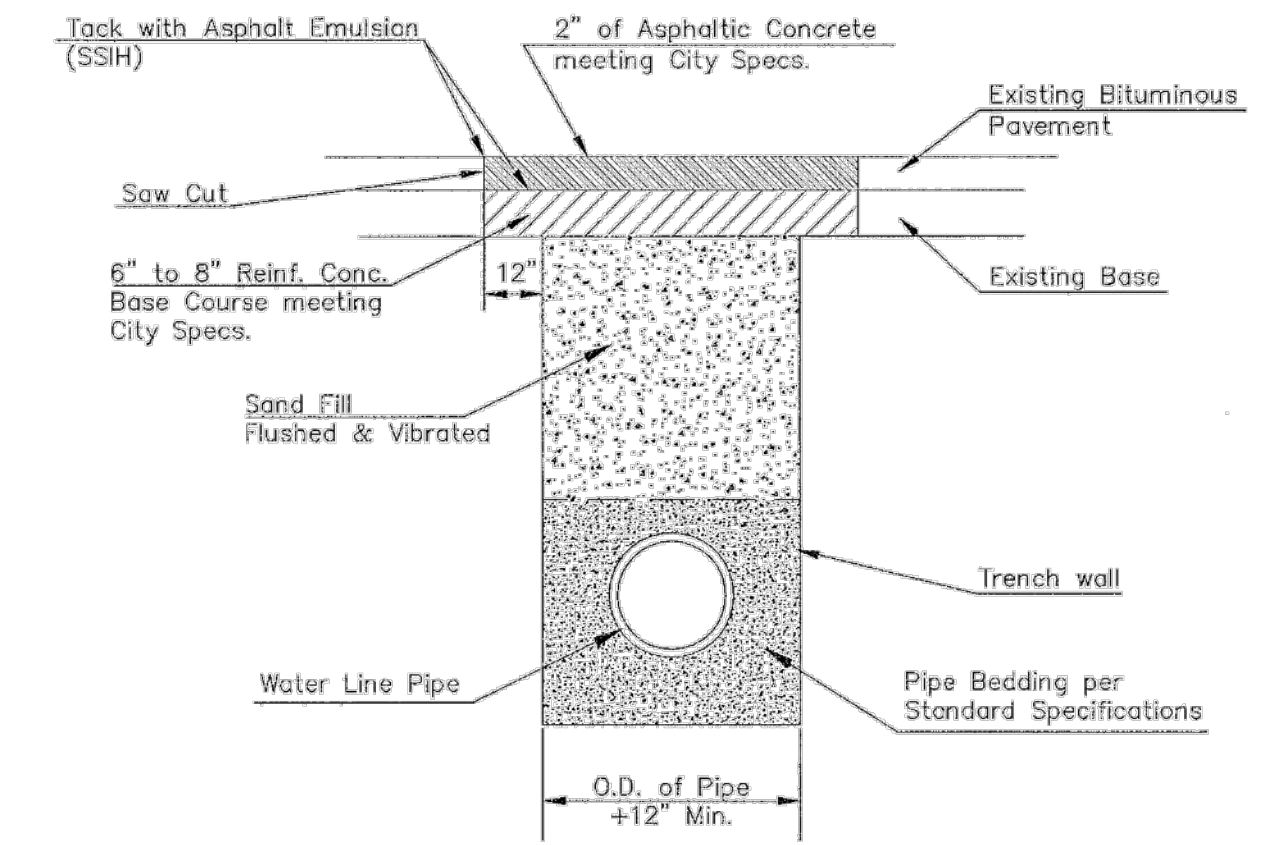
EXCAVATION FOR WET TAP



SECTION B-B

Note: Encasement to begin and end at a Bell on Sanitary Sewer Pipe.

REINFORCED CONCRETE ENCASEMENT OF SANITARY SEWER



PAVEMENT REPLACEMENT & TRENCH COMPACTION UNDER EXISTING AND PROPOSED CITY ROADS



MISCELLANEOUS WATER DETAILS		
CITY ENGINEER		
GARY JANZEN, P.E.		
PROJECT NUMBER	OCA NUMBER	DATE
CITY ENGINEER'S OFFICE		SHEET
CITY HALL - SEVENTH FLOOR 455 NORTH MAIN STREET WICHITA, KANSAS 67202-1620 (316) 268-4501		

WL-104

Environment & Infrastructure Solutions, Inc.
245 N. WACO AVENUE, SUITE 110
WICHITA, KANSAS 67202
PHONE: 316-448-2711
FAX: 316-448-2711

MISCELLANEOUS WATER DETAILS
EQUUS WELLFIELD SPURLINE REPLACEMENTS - MR4
GARY JANZEN, P.E. - CITY ENGINEER
CITY OF WICHITA

DESIGNED BY: EJB
DRAWN BY: JAN
CHECKED BY: ---
DATE: September 17, 2020

PROJECT NO.
639020
SHEET NO.
6
OF 10

REVISIONS:

wood.

Last Saved by: alex.mckean Plotted By: Mckean, Alex Plot Date/Time: 9/17/2020 4:55 PM File: L:\8275000373 wichita spurline\05_CAD\Sheets\bid package 1\DWG-01.dwg