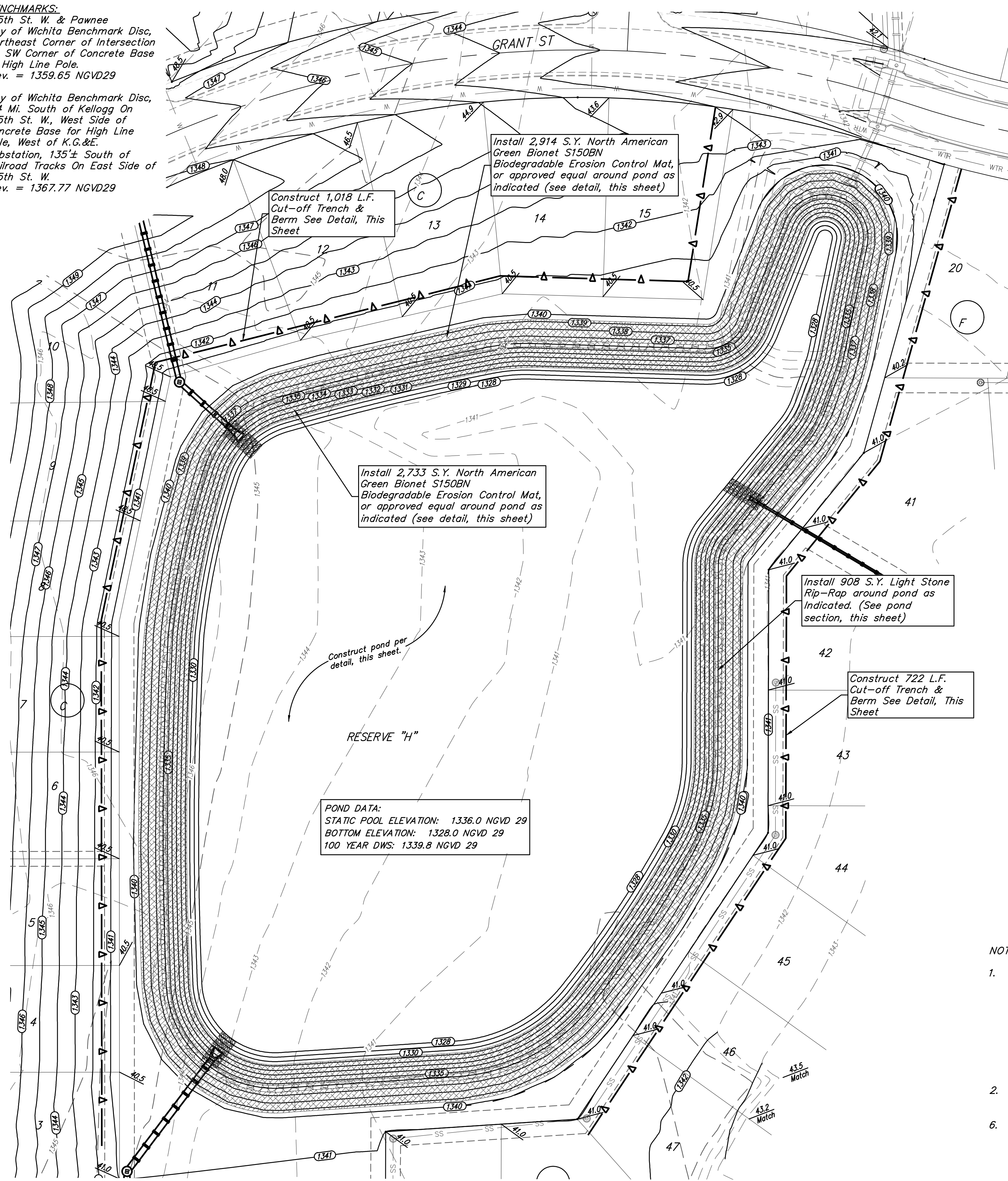


**BENCHMARKS:**  
 135th St. W. & Pawnee  
 City of Wichita Benchmark Disc,  
 Northeast Corner of Concrete Base of  
 On SW Corner of Concrete Base of  
 High Line Pole.  
 Elev. = 1359.65 NGVD29

City of Wichita Benchmark Disc,  
 0.4 Mi. South of Kellogg On  
 135th St. W., West Side of  
 Concrete Base for High Line  
 Pole, West of K.G.&E.  
 Substation, 135± South of  
 Railroad Tracks On East Side of  
 135th St. W.  
 Elev. = 1367.77 NGVD29



Construct 1,018 L.F.  
 Cut-off Trench &  
 Berm See Detail, This  
 Sheet

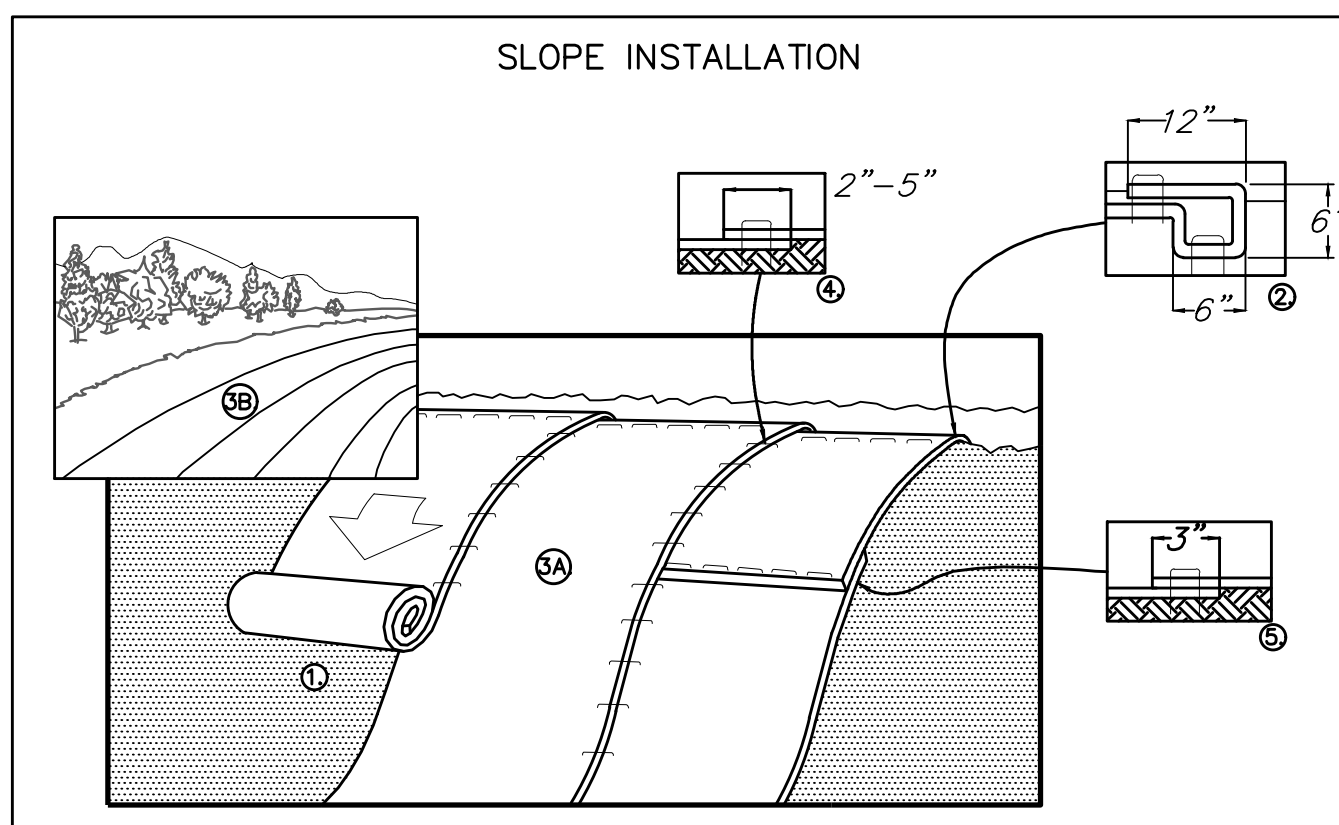
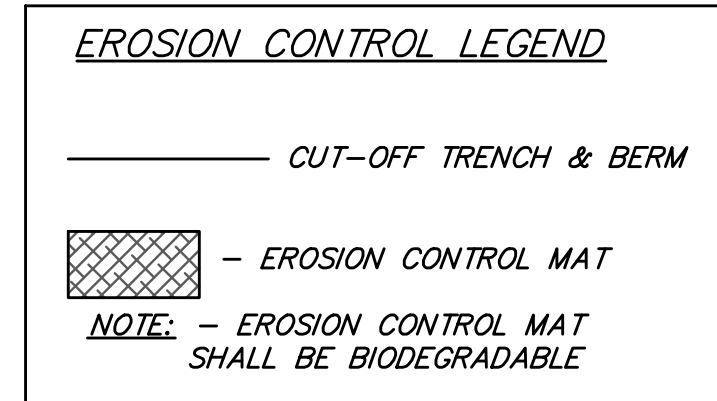
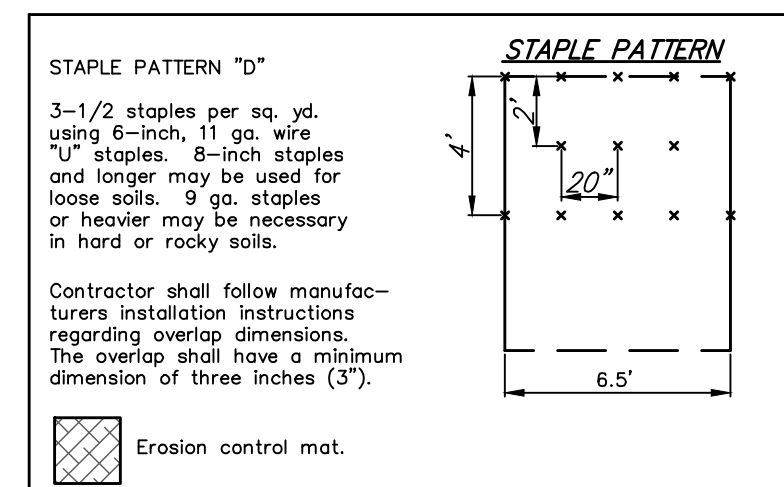
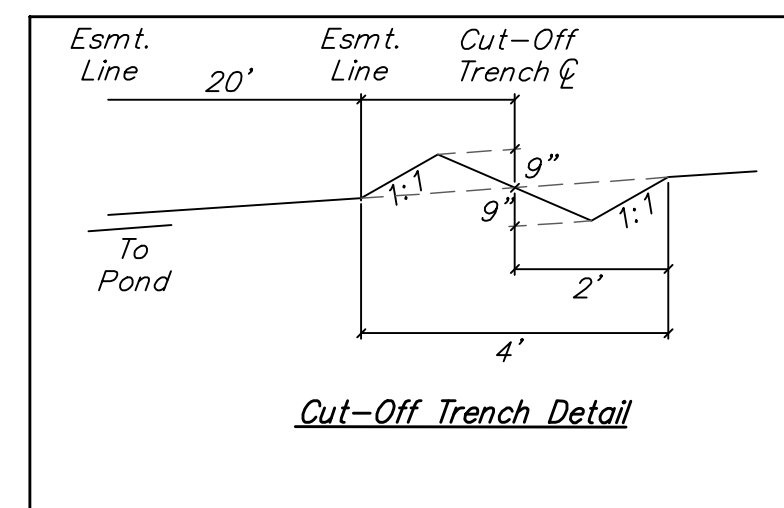
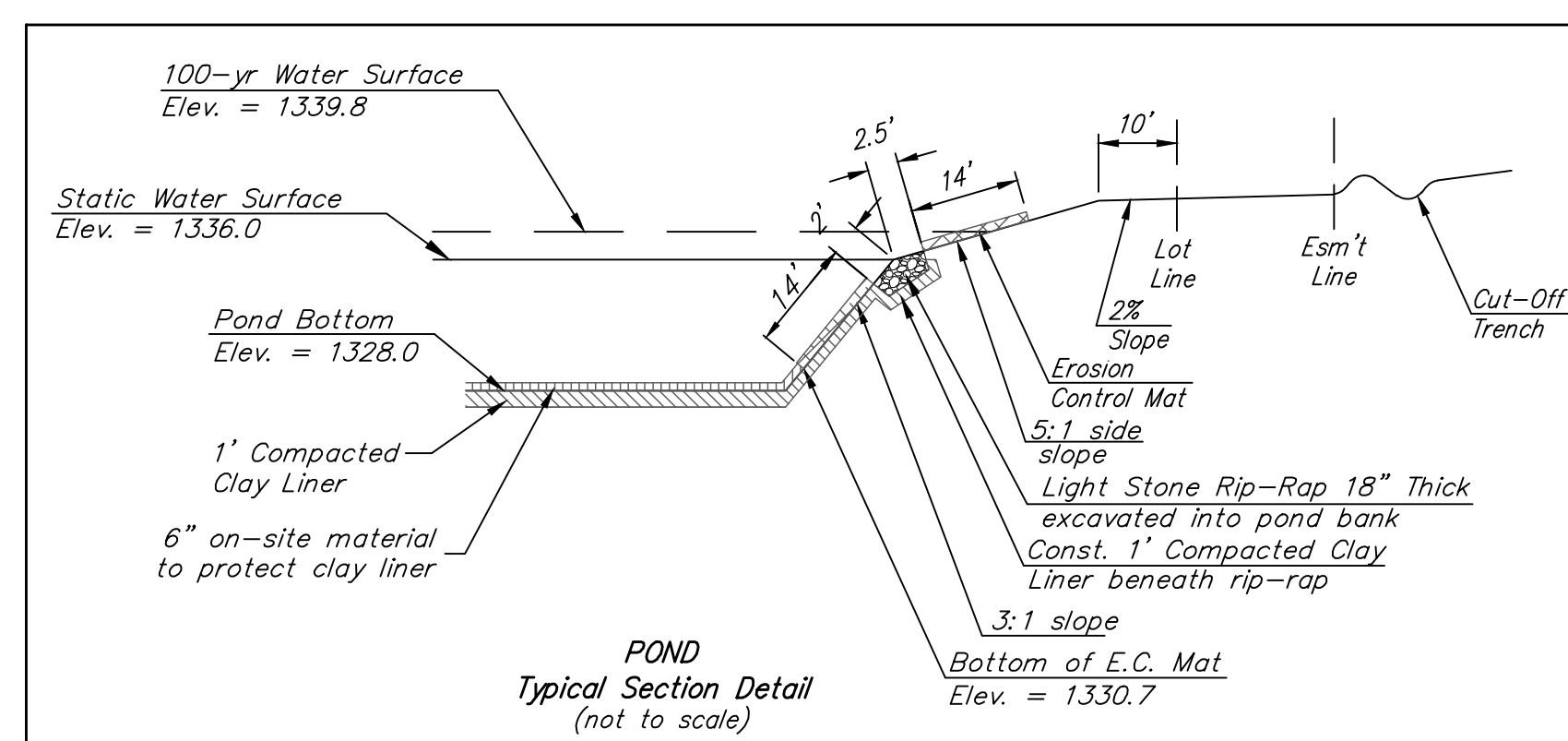
Install 2,914 S.Y. North American  
 Green Bionet S150BN  
 Biodegradable Erosion Control Mat,  
 or approved equal around pond as  
 indicated (see detail, this sheet)

Install 2,733 S.Y. North American  
 Green Bionet S150BN  
 Biodegradable Erosion Control Mat,  
 or approved equal around pond as  
 indicated (see detail, this sheet)

Install 908 S.Y. Light Stone  
 Rip-Rap around pond as  
 indicated. (See pond  
 section, this sheet)

Construct 722 L.F.  
 Cut-off Trench &  
 Berm See Detail, This  
 Sheet

**POND DATA:**  
 STATIC POOL ELEVATION: 1336.0 NGVD 29  
 BOTTOM ELEVATION: 1328.0 NGVD 29  
 100 YEAR DWS: 1339.8 NGVD 29



NOTE: Erosion control mat shall be installed and anchored per manufacturer's specifications. Quantity is for information only and does not include excess material necessary for overlap and anchoring. All cost of matting shall be included in SY "Erosion Control Mat"

NOTE: WHEN USING CELL-O-SEED DO NOT SEED PREPARED AREA. CELL-O-SEED MUST BE INSTALLED WITH PAPER SIDE DOWN.

- BEGIN AT THE TOP OF THE SLOPE BY ANCHORING THE BLANKET IN A 6" (15cm) DEEP X 6" (15cm) WIDE TRENCH WITH APPROXIMATELY 12" (30cm) OF BLANKET EXTENDED BEYOND THE UP-SLOPE PORTION OF THE TRENCH. ANCHOR THE BLANKET WITH A ROW OF STAPLES/STAKES APPROXIMATELY 12" (30cm) APART IN THE BOTTOM OF THE TRENCH. BACKFILL AND COMPACT THE TRENCH AFTER STAPLING. APPLY SEED TO COMPACTED SOIL AND FOLD REMAINING 12" (30cm) PORTION OF BLANKET BACK OVER SEED AND COMPACTED SOIL. SECURE BLANKET OVER COMPACTED SOIL WITH A ROW OF STAPLES/STAKES SPACED APPROXIMATELY 12" (30cm) APART ACROSS THE WIDTH OF THE BLANKET.
- ROLL THE BLANKETS (A) DOWN OR (B) HORIZONTALLY ACROSS THE SLOPE. BLANKETS WILL UNROLL WITH APPROPRIATE SIDE AGAINST THE SOIL SURFACE. ALL BLANKETS MUST BE SECURELY FASTENED TO SOIL SURFACE BY PLACING STAPLES/STAKES IN APPROPRIATE LOCATIONS AS SHOWN IN THE STAPLE PATTERN GUIDE. WHEN USING OPTIONAL DOT SYSTEM, STAPLES/STAKES SHOULD BE PLACED THROUGH EACH OF THE COLORED DOTS CORRESPONDING TO THE APPROPRIATE STAPLE PATTERN.
- THE EDGES OF PARALLEL BLANKETS MUST BE STAPLED WITH APPROXIMATELY 2"-5" (5cm-12.5cm) OVERLAP DEPENDING ON BLANKET TYPE. TO ENSURE PROPER SEAM ALIGNMENT, PLACE THE EDGE OF THE OVERLAPPING BLANKET (BLANKET BEING INSTALLED ON TOP) EVEN WITH THE COLORED SEAM SITTING ON THE PREVIOUSLY INSTALLED BLANKET.
- CONSECUTIVE BLANKETS SPICED DOWN THE SLOPE MUST BE PLACED END OVER END (SHINGLE STYLE) WITH AN APPROXIMATE 3" (7.5cm) OVERLAP. STAPLE THROUGH OVERLAPPED AREA, APPROXIMATELY 12" (30cm) APART ACROSS ENTIRE BLANKET WIDTH.

NOTE:  
 \*IN LOOSE SOIL CONDITIONS, THE USE OF STAPLE OR STAKE LENGTHS GREATER THAN 6" (15cm) MAY BE NECESSARY TO PROPERLY SECURE THE BLANKETS.  
 SEEDING DIRECTLY BENEATH THE EROSION CONTROL MAT SHALL BE INCLUDED IN THE COST OF THE EROSION CONTROL MAT.

14649 HIGHWAY 41 NORTH, EVANSVILLE, INDIANA 47725  
 USA 1-800-772-2040 CANADA 1-800-448-2040  
 www.nogreen.com

**POND NOTES:**

- Pond bottom and sideslopes below static pool elevation shall be over-excavated 1' and a 1' clay liner shall be compacted to 95% std. density. The plasticity index (P.I.) shall be at least 30. The compaction and P.I. shall be verified during construction. P.I. determination and compaction testing shall be arranged by the Contractor at the request of the Inspector. Cost shall be incidental to "Grading, Mass". Cost of over-excavation to install Clay Liner shall be incidental to bid item, "Excavation."
- All areas disturbed by construction shall be seeded per Cover Sheet General Notes.
- Contractor to strip top 4"-6" of soil within Res. "G", Res. "H", and street R/W before mass grading and stockpile. Top soil stockpile to be redistributed over Res. "G" & Res. "H" above water elevation prior to seeding.

**NOTES:**

- Pond bottom and side slopes below static pool elevation shall be over-excavated 19" and an 15" clay liner shall be compacted to 95% std. density. The plasticity index (P.I.) shall be at least 27. The best and most suitable on-site material shall be used for the pond liner. The compaction and P.I. shall be verified during construction. 4" of suitable on-site material shall be distributed on top of the clay liner below the static pool elevation to protect the clay liner. P.I. determination and compaction testing shall be arranged by the contractor at the request of the inspector. Cost shall be incidental to "Testing". Cost of over-excavation to install Clay Liner shall be incidental to bid item, "Excavation."
- Any excess excavation shall be spread and compacted on-site as indicated on the fill plan.
- Compaction of 95% shall be obtained in all street R/W's, pond liner, and all other areas. Compaction requirements shall be placed within ±2% of optimum moisture content of the soil at the time of placement. All testing shall be incidental to Lump Sum bid item "Testing".

**EARTHWORK TOTALS (CY, Unadjusted for shrink & swell)**  
 \*for information only

	Excavation	Fill
Upper Pond	15,560	642
Middle Pond	25,918	1,146
Lower Pond	29,877	326
South Pond	91,477	44
Mass Grading	50,963	218,254
<b>Total Mass Grading</b>	<b>213,795</b>	<b>220,413</b>

Note: An additional 17,500 C.Y. soil not shown on topography will be stockpiled on lots 8-19, Block C, Turkey Creek 3rd Addition and lots 69-82, Turkey Creek 4th Addition. This additional soil shall be used as necessary for mass grading and any excess shall be spread evenly on lots outside of R/W and easement areas. Costs associated with mass grading of this excess stockpiled soil shall be included in i.s. bid item "Grading, Mass".

**Baughman**  
 ENGINEERING | SURVEYING | PLANNING | LANDSCAPE ARCHITECTURE

Turkey Creek 4th Addition  
**POND PLAN**  
 South Pond

PROJECT NUMBER 468-2020-085444		DESIGN DMV		DRAWN JAK	
REVISIONS:		APPROVED		DATE 9/20/2020	
		SCALE Noted		SHEET <b>47 OF 65</b>	

E:\Projects\Turkey Creek 4th\_\Engineering\Phase I\SWD\2020-E457\SWD PLANS.dwg