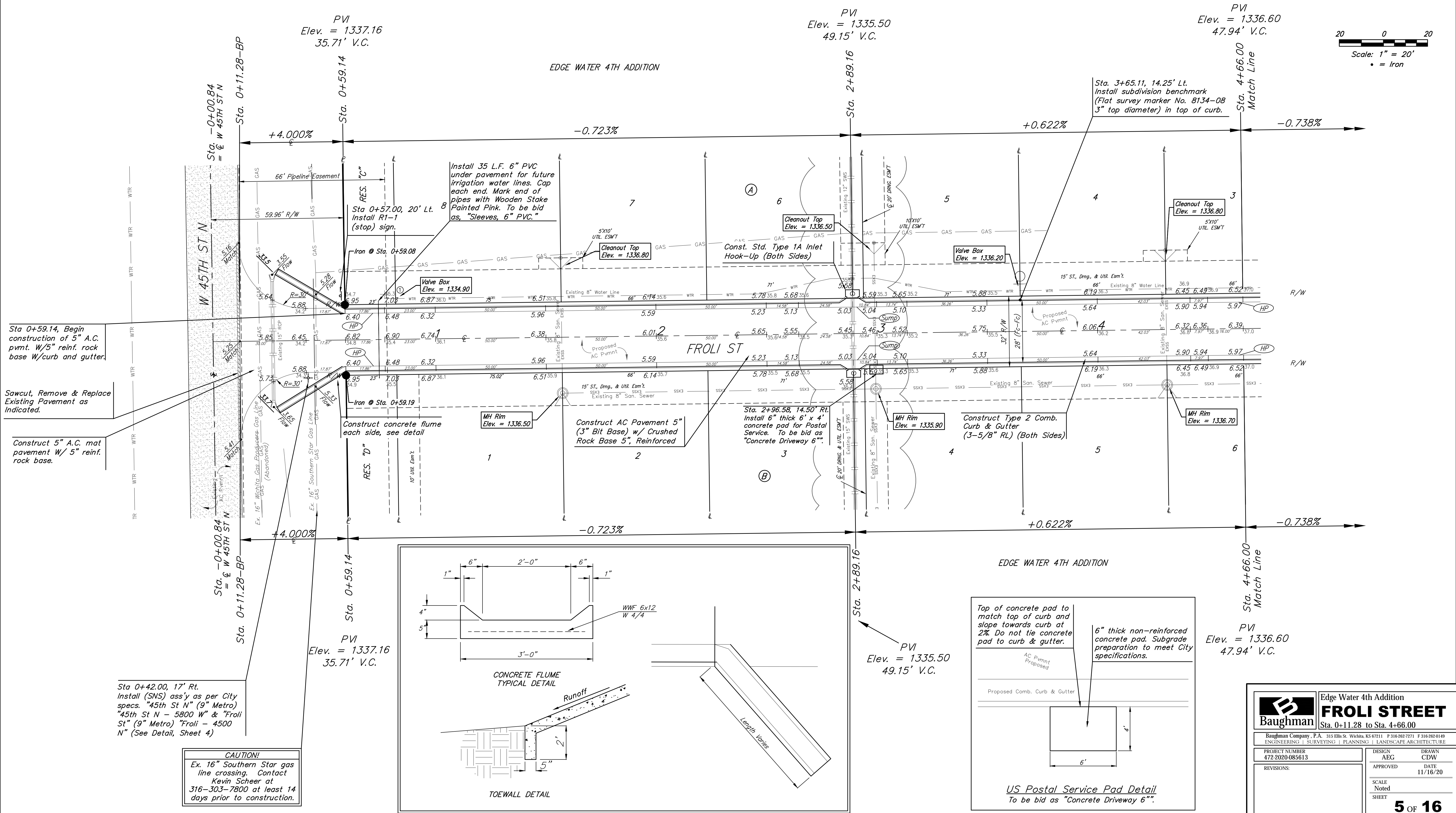
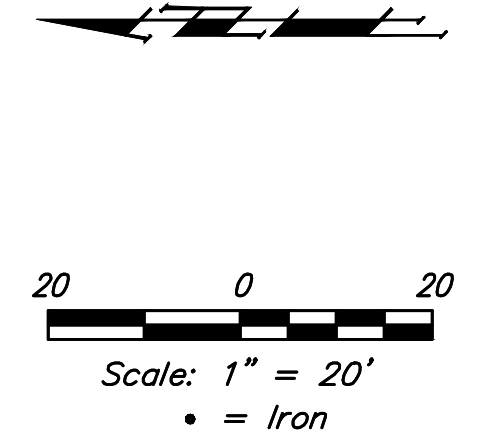


**BENCHMARKS:**  
 disk adjacent to fire hydrant in SW corner of Lot 22 BLK A, Edgewater 3rd Addition  
 Elev. = 1337.95 NGVD29

rail road spike in N face of power pole E of Lot 3 BLK A, Edgewater 4th Addition  
 Elev. = 1336.93 NGVD29

Street & Station	Location Description	Elevation
Froli St 3+65.11, 14.25' Lt.	Adjacent to Fire Hydrant at the West corner of the common lot line of Lot 4 & 5, Block A	

VALVE NUMBER	STREET	BASELINE STATION	OFFSET DISTANCE	OFFSET DIRECTION
1	Froli	0+82.08	18.5	Lt.



PVI  
 Elev. = 1337.16  
 35.71' V.C.

PVI  
 Elev. = 1335.50  
 49.15' V.C.

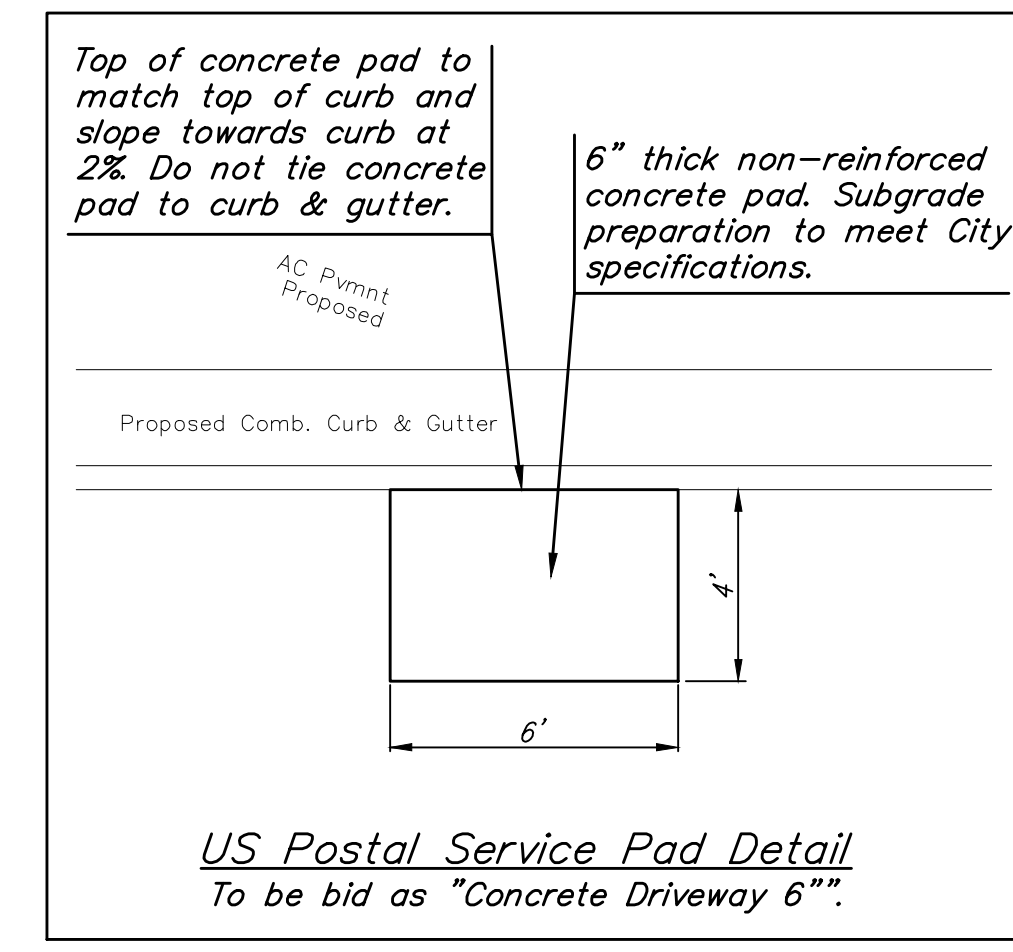
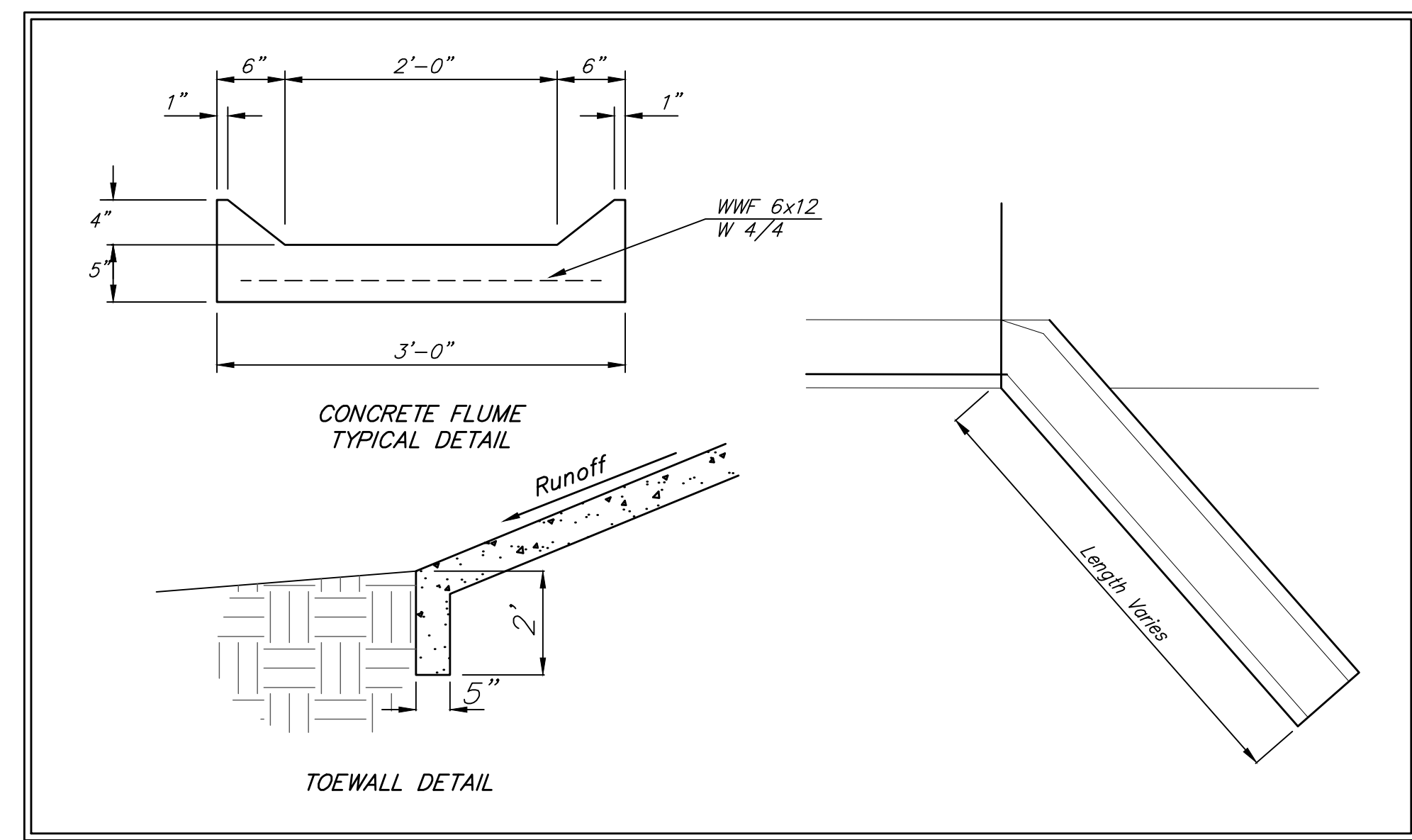
PVI  
 Elev. = 1336.60  
 47.94' V.C.

Sta 0+59.14, Begin construction of 5" A.C. pvmnt. W/5" reinf. rock base W/curb and gutter.  
 Sawcut, Remove & Replace Existing Pavement as Indicated.

Construct 5" A.C. mat pavement W/ 5" reinf. rock base.

Sta 0+42.00, 17' Rt. Install (SNS) ass'y as per City specs. "45th St N" (9" Metro) "45th St N - 5800 W" & "Froli St" (9" Metro) "Froli - 4500 N" (See Detail, Sheet 4)

**CAUTION!**  
 Ex. 16" Southern Star gas line crossing. Contact Kevin Scheer at 316-303-7800 at least 14 days prior to construction.



PVI  
 Elev. = 1335.50  
 49.15' V.C.

PVI  
 Elev. = 1336.60  
 47.94' V.C.

	Edge Water 4th Addition
	<b>FROLI STREET</b>
Sta. 0+11.28 to Sta. 4+66.00	
Baughman Company, P.A. 315 Ellis St. Wichita, KS 67211 P 316-262-7271 F 316-262-0149	
ENGINEERING   SURVEYING   PLANNING   LANDSCAPE ARCHITECTURE	
PROJECT NUMBER 472-2020-085613	DESIGN AEG
REVISIONS:	DRAWN CDW
	APPROVED DATE 11/16/20
	SCALE Noted
	SHEET
<b>5 OF 16</b>	