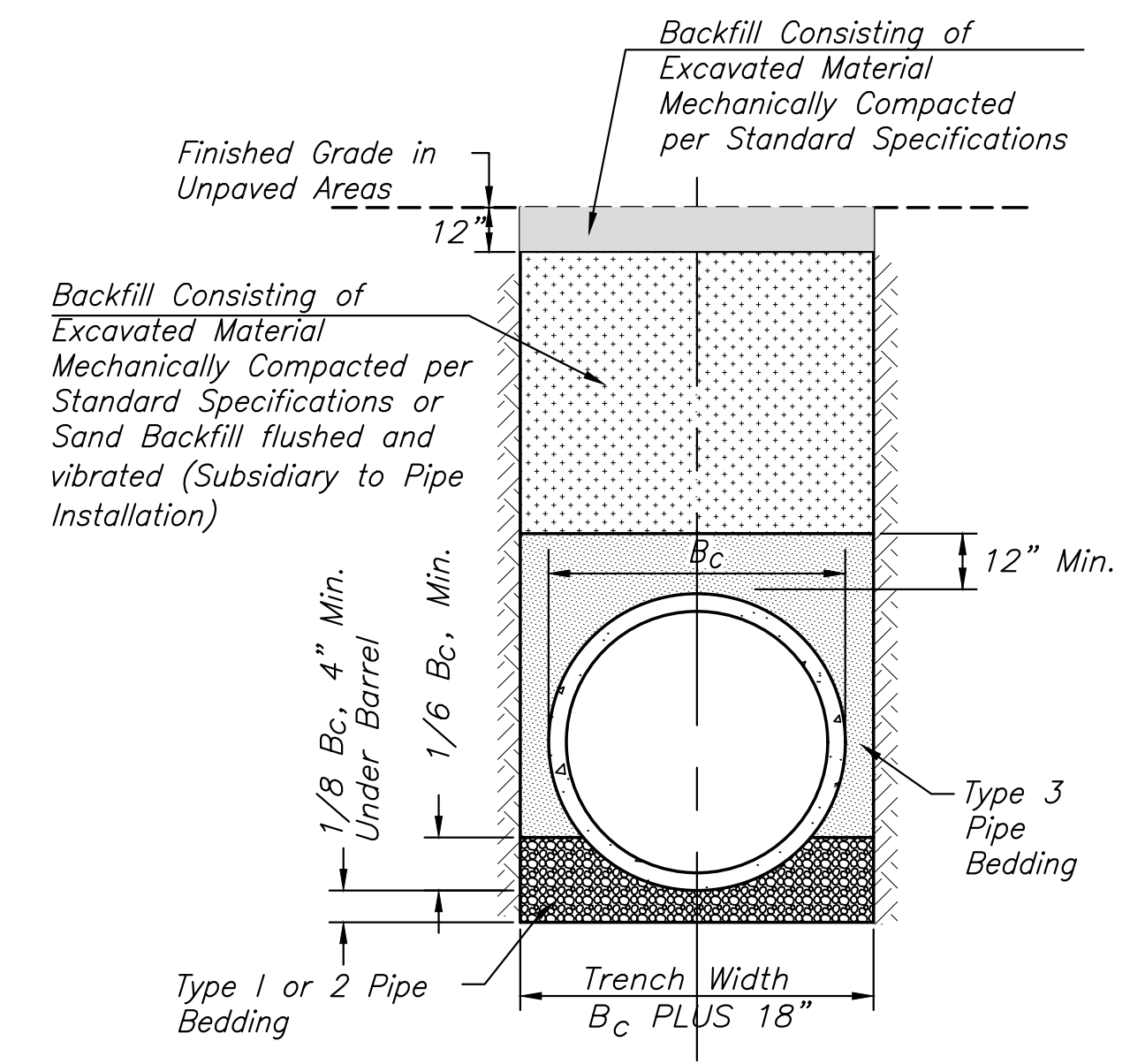
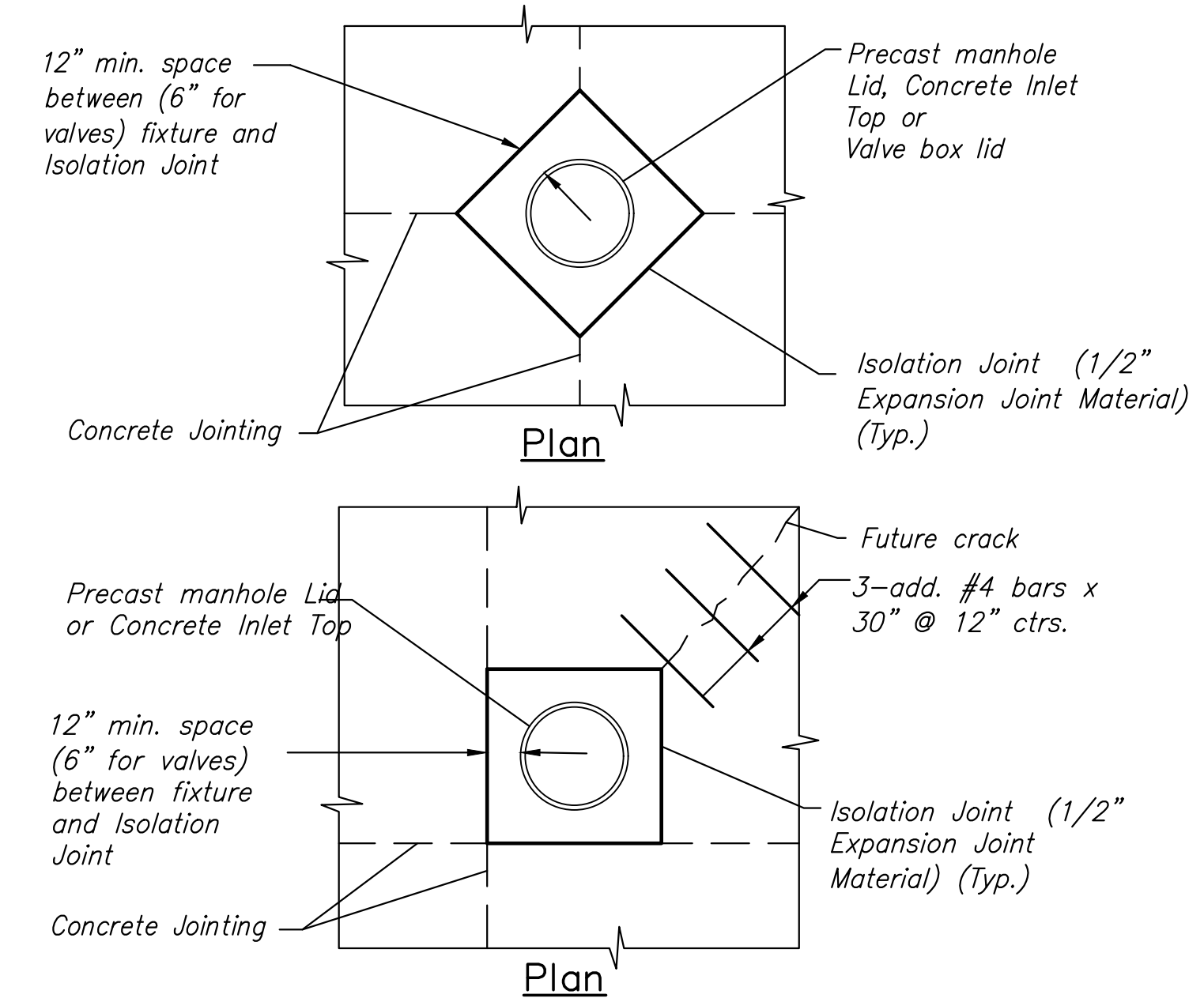


SLOPE DRAIN
NO SCALE

NOTE:
Use Class "A" Concrete-AE throughout. The entire area of the Slope Drain (Special) below the curbs to be poured and struck off with a uniform thickness of 6". The curbs are to be applied in the same manner and using the same methods as for edge curb. Reinforcing steel to be deformed #4 bars.

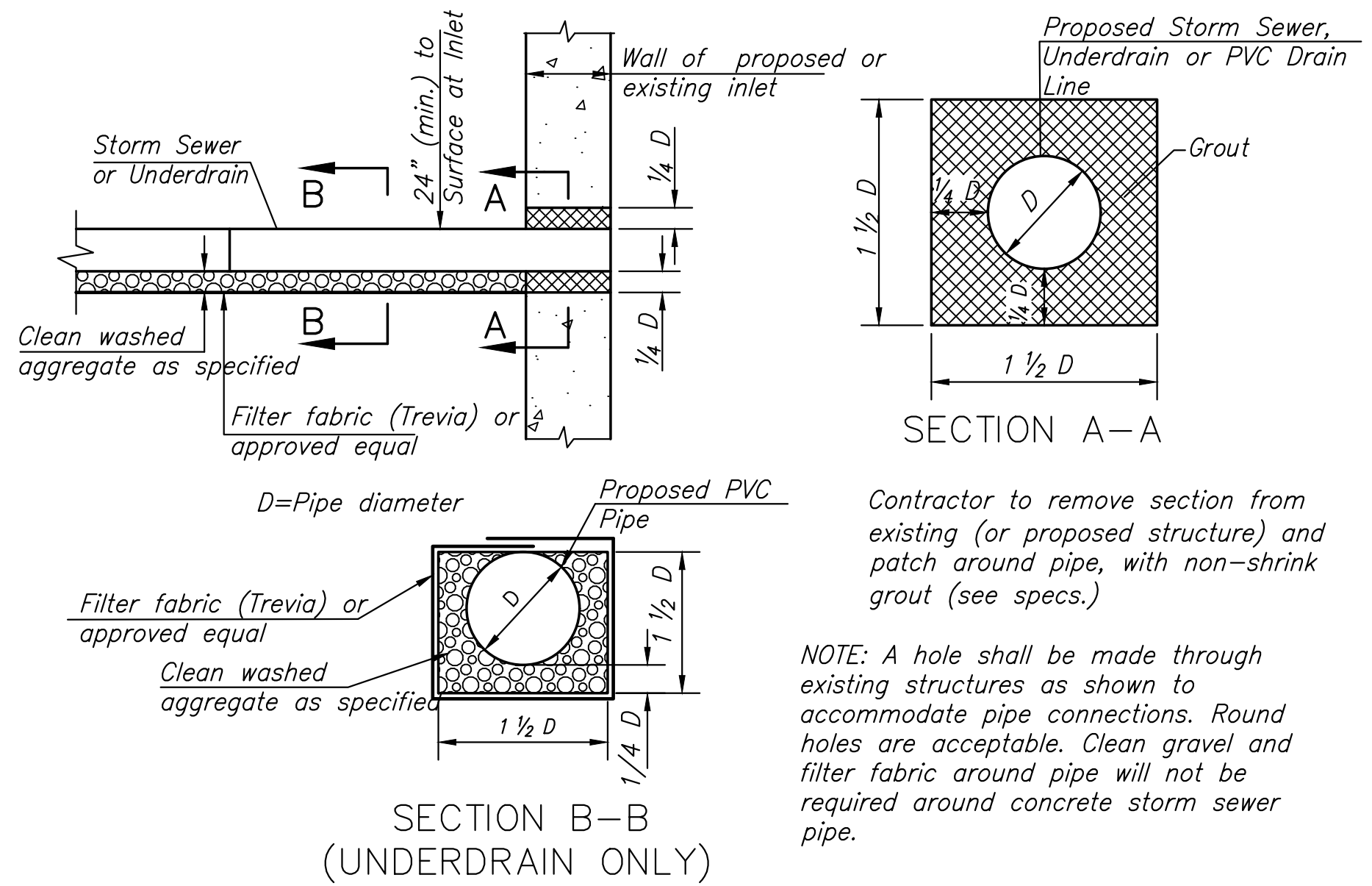


STORM SEWER TRENCH DETAIL

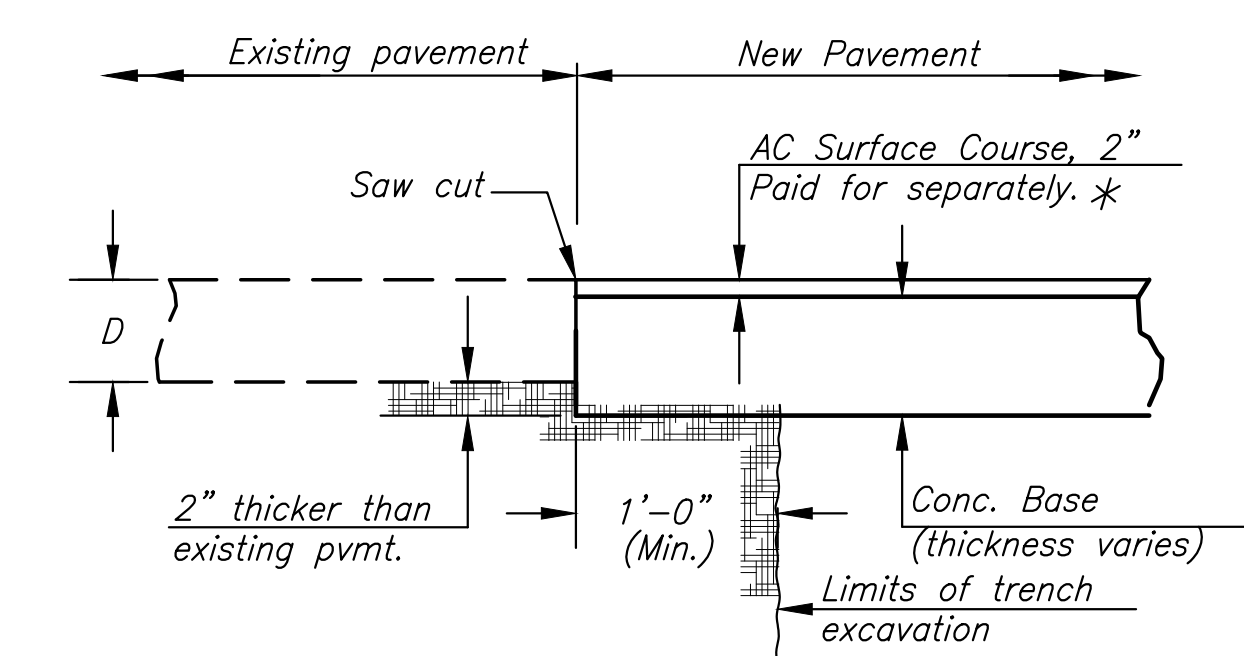


TYPICAL UTILITY BOX-OUT DETAILS

Note: Contractor shall construct box-outs around all surface utility fixtures, as shown, when fixtures fall on or near concrete joints, or as directed by the Engineer. All other fixtures shall have an isolation joint or bond breaker between them and concrete pavement. Cost shall be *subsidiary*.



PIPE CONNECTION DETAIL



PERMANENT PAVEMENT PATCH DETAIL

* For concrete pavements, entire patch shall be concrete at 2" thicker than existing pavement and patch shall be tied to existing concrete with #5 bars x 36" spaced 30" apart drilled and grouted into the existing pavement. For all patches, concrete shall be paid for as "Concrete Pavement Removed and Replaced."

©2021 MKEC Engineering All Rights Reserved www.mkec.com
These drawings and their contents, including, but not limited to, all concepts, designs, & ideas are the exclusive property of MKEC Engineering (MKEC), and may not be used or reproduced in any way without the express consent of MKEC.

MISCELLANEOUS DETAILS

PROJECT NO.	1901010483	
DATE	FEB. 2021	
SCALE	N.T.S.	
DESIGNED	DRAWN	CHECKED
JRA	RAM	JRA

NO.	REVISION	DATE